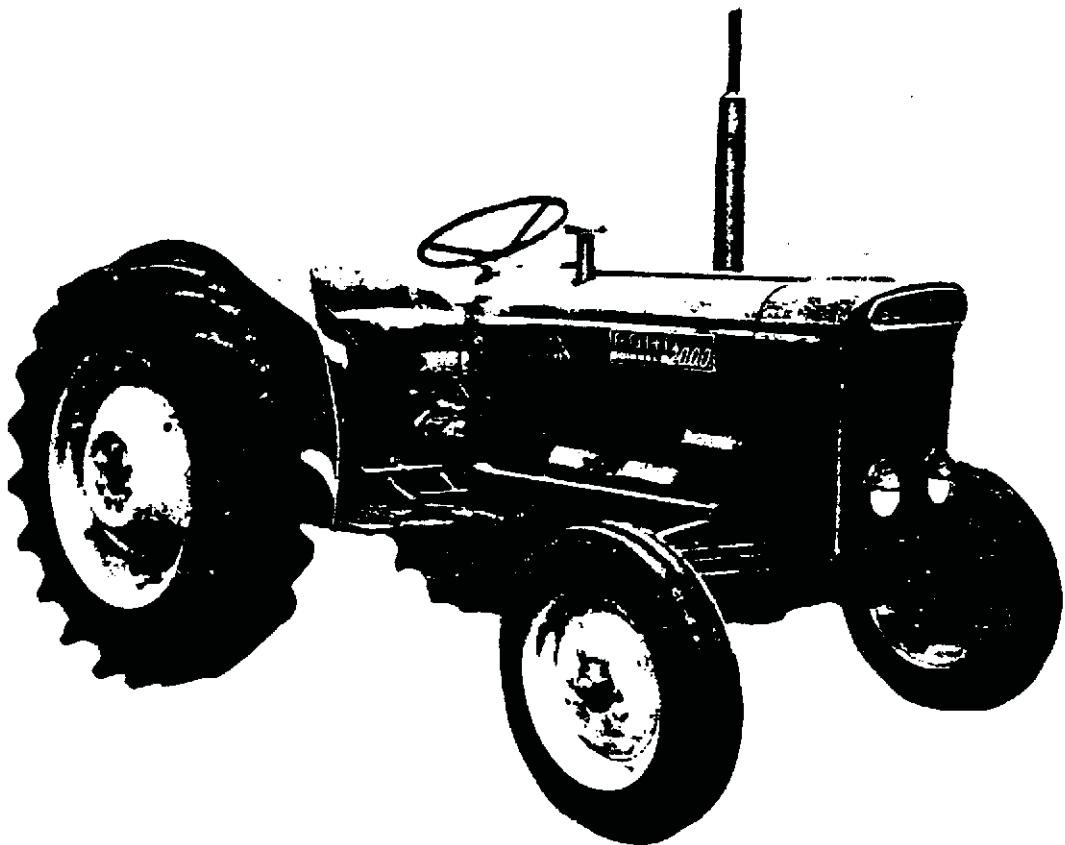


FORD

FORDSON DEXTA
AND
SUPER DEXTA
1957/64

PARTS LIST



Ford Tractor Operations

FOO-1566-D

Printed in the U.S.A.

Troy, Michigan 48084

DEXTA

DEXTA FIGURE INDEX

<u>FIGURE NO.</u>	<u>DESCRIPTION</u>	<u>IMAGE LOC.</u>	<u>PAGE NO.</u>
	WHEELS		
1	Wheels & Weights	B2	2
	BRAKES		
2	Brakes	B3, B4	4, 6
3	Dual Rear Wheel Brakes	B5, B6	8, 10
4	Handbrake	B7	12
	FRONT AXLE AND STEERING		
5	Front Axle	B9	16
6	Steering Gear	B10	18
	REAR AXLE		
7	Rear Axle & Differential	B11, B12	20, 22
8	Differential Lock	B13	24
9	Differential Housing	C2	26
	HYDRAULIC CONTROLS		
10	Hydraulic Lift Cover, Shaft & Related Parts	C3, C4	28, 30
11	Hydraulic Lift, Ram Cyl., & Related Parts	C5, C6, C7	32, 36
12	Hydraulic Lift Linkage	C8, C9	38, 40
13	Hydraulic Power Lift Pump	C10	42
14	Double Acting Ram Valve	C11	44
15	Hydraulic Power Lift Link Stabilizer	C12	47
16	Swinging Drawbar	C13	48
17	Dual Auxiliary Valve	D2, D3	50, 52
18	Automatic Pick-up Hitch	D4	54
	ENGINE		
19	Cylinder Block, Head & Related Parts	D5, D6	56
20	Crankshaft, Flywheel & Related Parts	D7	60
21	Camshaft, Rocker Arm, Valves & Related Parts	D8	62
22	Piston & Connecting Rod	D9	65
23	Oil Pan & Related Parts	D10	66
24	Oil Pump & Related Parts	D11	68
25	Inlet & Exhaust Manifold	D12	70
26	Mufflers & Related Parts	D13	72
	TRANSMISSION, CLUTCH & P.T.O.		
27	Transmission & Clutch Housing	E2	74
28	Front Transmission Interior	E3, E4	76
-	Gear Replacements	E5	80
29	Standard Power Take Off	E6	82
30	Live Power Take Off & Clutch	E7, E8	84, 86
31	Clutch & Linkage	E9	88
32	11" Clutch	E10	90
33	Pulley Assembly	E11	92
34	Pulley Guard	E12	95

DEXTA

DEXTA FIGURE INDEX

<u>FIGURE NO.</u>	<u>DESCRIPTION</u>	<u>IMAGE LOC.</u>	<u>PAGE NO.</u>
	COOLING SYSTEM		
35	Radiator & Related Parts	F2	96
36	Water Pump, Thermostats & Related Parts	F3	98
	FUEL SYSTEM		
37	Fuel System	F4, F5	100
38	Engine & Fuel Oil Filters	F6, F7	104, 106
39	Dual Fuel Oil Filters & Related Parts	F8	108
40	Fuel System & Throttle Linkage - Petrol/Gas	F9, F10	110, 112
41	Throttle Controls - Pneumatic & Mechanical Governor	F11	114
42	Fuel Injection Pump w/Pneumatic Governor 57/3-62	F12, F13	116
43	Fuel Injection Pump w/Mechanical Governor 4-62/64	G2, G3, G4	120
44	Fuel Injector Assembly	G4	125
45	Fuel Pump Assembly	G5	126
	ELECTRICAL SYSTEM		
46	Electrical System	G6	128
47	Head & Rear Lamps	G7, G8	131
48	Battery & Tray	G9	134
49	Starting Motor & Related Parts	G10, G11	136, 138
50	Generator Assy. & Regulator 57/10-62	G12	140
51	Generator Assy. 11-62/64	G13	142
	INSTRUMENT PANEL		
52	Instrument Box	H2	144
53	Tachometer	H3	146
	SEATS		
54	Seat Assemblies	H4	148
	SHEET METAL		
55	Fenders, Platforms & Related Parts	H5	150
56	Engine Hood, Grille & Related Parts	H6, H7	152, 154
	MISCELLANEOUS		
57	Drawbar Bracket & Towing Hitch Assy.	H8	156
-	Tool Box & Tools	H8	157
-	Kits	H9	158, 159
-	Accessories	H10	160
	NUMERICAL INDEX	I2	162

STANDARD HARDWARE

Some common type standard hardware items are not identified by part numbers; they are identified by description only. Most of the common standard hardware is bulk packaged and can be found in the Standard Parts List FTO-17017 or fiche Image Locations N12 & N13.

PARTS NO LONGER SERVICED

Where a part has been removed from service and not replaced, an asterisk appears after the part number.

DEXTA

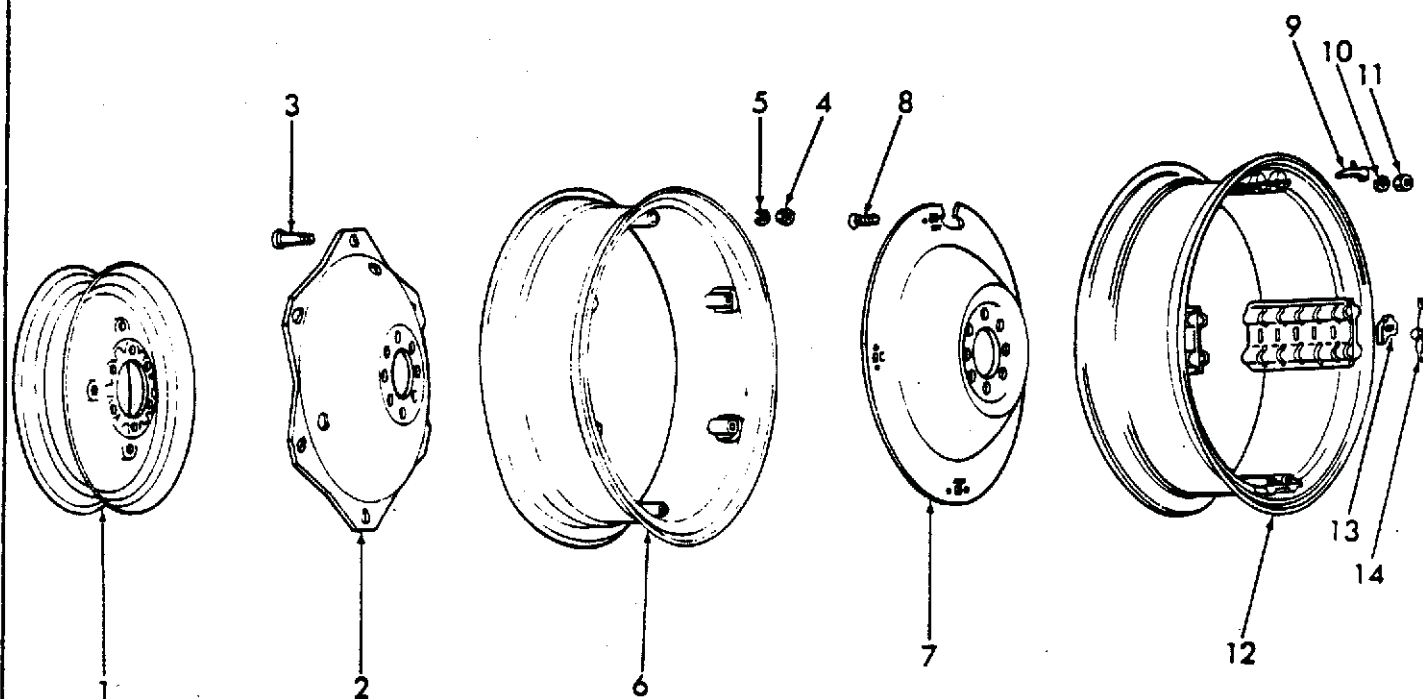


Fig. 1 Wheels & Weights

FIG.	PART NO	PART NAME	QTY	REMARKS	YEAR
1		WHEELS AND WEIGHTS			
1	957E-1015-C	WHEEL ASSY., Front	2		57/64
-	957E-1015-D	WHEEL ASSY., Front (FTO-E)	2	5.50 x 16 Tires	57/64
-	C5NN-1007-A	WHEEL ASSY., Front (U.S.)	2	7.50 x 16 Tires	6-63/64
-	D2NN-1007-S	WHEEL ASSY., Front (FTO-E)	2	7.50 x 16 Tires	6-63/64
-	C5NN-1012-A	NUT, Front Wheel Hub	12		57/64
-	E21-HA-9*	WEIGHT, Front Wheel	2		57/64
-	23108-S43	BOLT, Front Wheel Weights	8		57/64
-		NUT, 1/2 - 13 Hex	8		57/64
-		WASHER, 1/2 Lock	8		57/64
2	957E-1017-B	DISC, Rear Wheel	2	12 x 28 Tires	57/64
-	957E-1017-C	DISC, Rear Wheel	2	w/957E-1019-F Wheel	57/64
3	115824-ES	BOLT, Rear Wheel Disc to Rim	12		57/64
4		NUT, 5/8-18 Hex	12		57/64
5		WASHER, 5/8 Flat	12		57/64
-	957E-1019-F*	WHEEL AND DISC ASSY., Rear	2	12 x 24	57/64
-	960E-1019-B*	WHEEL ASSY., Rear	2	12 x 28	6-63/64
6	957E-1037-A*	RIM & SUPPORT ASSY., Rear Wheel	2		57/64
-	C5NN-1050-F	RIM & SUPPORT ASSY., Rear Wheel	2	w/957E-1019-F Wheel	57/64
-	960E-1037-B	RIM & SUPPORT ASSY., Rear Wheel	2	12 x 28 Tires	9-62/64

* No Longer Serviced

DEXTA

FIG.	PART NO.	PART NAME	QTY.	REMARKS	YEAR
1		<u>WHEELS AND WEIGHTS (CONT'D)</u>			
-	957E-1019-B*	WHEEL ASSY., Power Adjust	2	10 x 28, 11 x 28	57/5-63
-	957E-1019-E*	WHEEL ASSY., Power Adjust	2	10 x 28, 11 x 28	6-63/64
7	EB-HA-9	DISC ASSY., Power Adjust Wheel	2		57/64
8	117477-ES7	STUD, 5/8-18 x 1-3/4 Sq. Shoulder	8		57/64
9	E11-HA-9	STOP, Power Adjust Wheel	2	FTO-E Only	57/64
10	116024-ES*	WASHER, 5/8	8		57/64
11	117668-ES*	NUT, 5/8-18 Hex	8		57/64
12	C5NN-1050-Y	RIM ASSY., Power Adjust Wheel	2	Repl. E9-HA-9	57/64
13	E10-HA-9	CLAMP, Power Adjust Wheel	2		57/64
14	E12-HA-9	CLAMP ASSY., Power Adjust	2		57/64
	960E-1065-A	WEIGHT, Rear Wheel	2	Except Power Adj.	57/64
	957E-1065-B	WEIGHT, Rear Wheel (FTO-E Only)	2	w/Power Adjust	57/5-63
	960E-1065-B	WEIGHT, Rear Wheel	2	w/Power Adjust	6-63/64
	E24-HA-9	SPACER, Rear Wheel Weight	6		57/64
	960E-1076	WEIGHT, Auxiliary Rear	4		57/64
	115778-ES2	BOLT, Auxiliary Weight to Wheel	6	w/Power Adjust	57/64
	118850-ES2	BOLT, Auxiliary Weight to Wheel	12	5/8-18 x 3 Spec. Hd.	57/64
	45818-S2	BOLT, Weight to Wheel	6	5/8-18 x 3-1/2 Hex	57/64
		PIN, Cotter (Weight Bolt Secure)	12		57/64
	E19-HA-9*	BRACKET, Wheel Weight Mtg.	6	12 x 24 Wheels	57/64
	113697-ES*	BOLT, Brkt. to Rim & Disc Assy.	12	12 x 24 Wheels	57/64
	C5NN-1107-E	BOLT, Front Wheel Hub	12	1/2-20 x 1.42	57/1-60
	957E-1107	BOLT, Front Wheel Hub	12		1-60/64
	C9NN-1104-F	HUB & BEARING ASSY., Front Wheel	2		57/64
	957E-1117	BOLT, Rear Axle Shaft to Wheel	16		57/64
	957E-1120	NUT, Rear Axle Shaft to Wheel	16		57/64
	384677-S8	FITTING, Lube-Ft. Wheel Hub	2		57/64
		* No Longer Serviced			

DEXTA

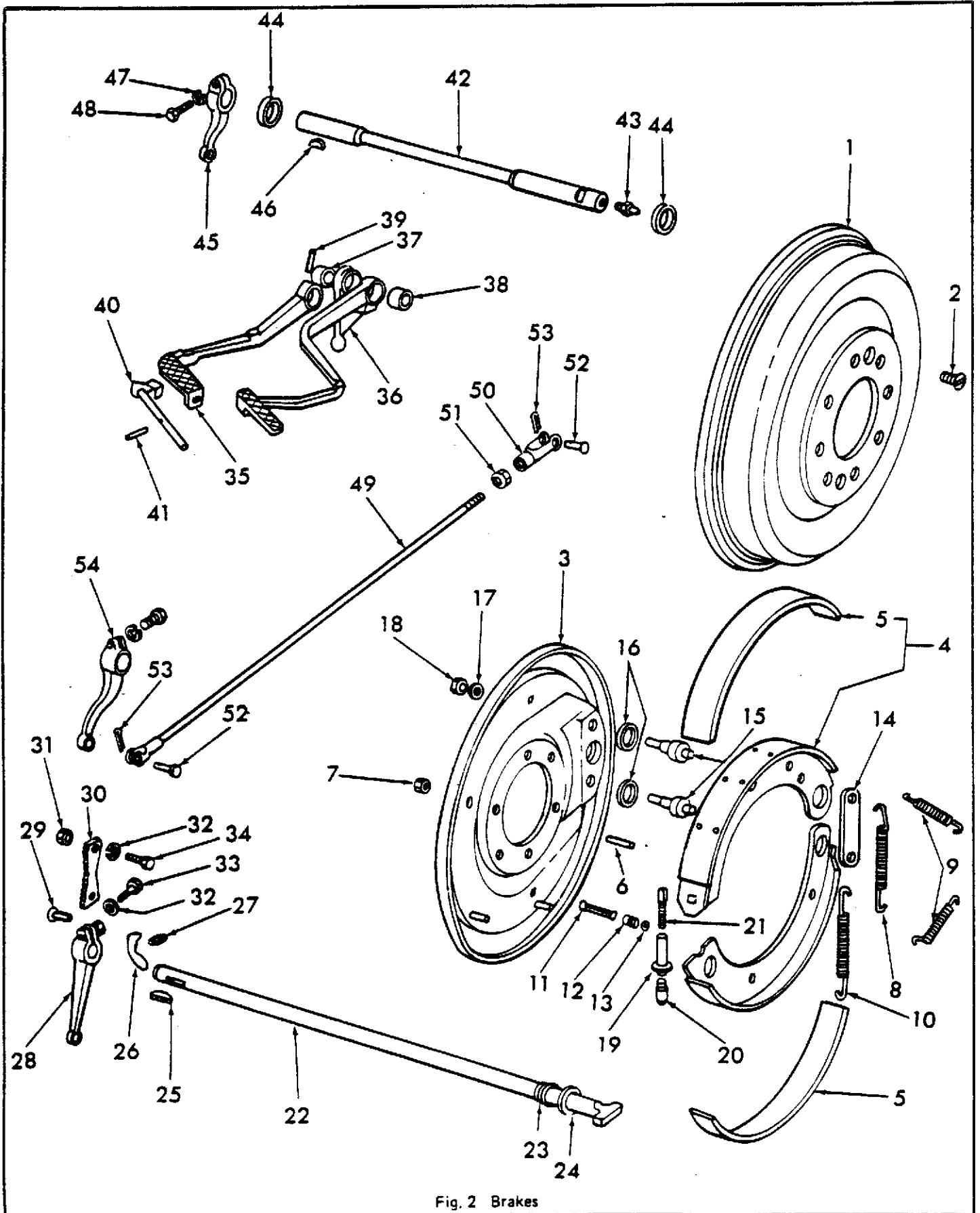


Fig. 2 Brakes

DEXTA

FIG.	PART NO.	PART NAME	QTY	REMARKS	YEAR
2		<u>BRAKES</u>			
1	957E-1126-A	DRUM, Brake	2	Ex. Dual Brakes	57/64
2		SCREW, 3/8-16 x 3/4 Flat Hd.	4		
3	957E-2211	PLATE ASSY., Backing		FTO-E	57/64
4	957E-2019-A	SHOE & LINING ASSY. Consists of Shoe plus:	4		57/64
5	957E-2021-B	LINING	4		57/64
-	117274-ESA	RIVET, Lining to Shoe	AR		57/64
6	957E-2025-A	POST, Steady Shoe	4		57/64
7		NUT, 3/8-24 Hex			
8	957E-2035	SPRING, Primary to Secondary Shoe	2		57/64
9	957E-2036	SPRING, Anchor to Shoes	4		57/64
10	C5NN-2B289-A	SPRING, Shoe Return	2		57/64
11	957E-2069-A	PIN, Shoe Hold Down	8		57/64
12	957E-2068	SPRING	8		57/64
13	957E-2066	CUP	16		57/64
14	957E-2073*	PLATE	2		57/64
15	957E-2067*	PIN	4		57/64
16	118319-ES	WASHER	4		57/64
17		WASHER, 3/4 Lock	4		57/64
18		NUT, 3/4-16 Hex	4		57/64
19	957E-2039	HOUSING ASSY., Adjuster	2		57/64
20	957E-2043	TAPPET, Plain	2	FTO-E	57/64
21	957E-2044*	TAPPET, Adjustable	2		57/64
22	957E-2246-B	CAMSHAFT, R.H.	1	FTO-E	57/64
22	957E-2247-B	CAMSHAFT, L.H.	1	FTO-E	57/64
23	E37-FB-9*	SPRING	2		57/64
24		WASHER, 1.035 I.D. x 1.906 O.D. x .064 Flat	2		57/64
25		KEY, 1/4 x 1 Woodruff	2		57/64
26	957E-2782	LEVER, Parking Brake R.H.	1	FTO-E	57/64
27		PIN, 3/16 x 1 Grooved	1		57/64
28	E12-FC-9*	LEVER, R.H.	1		57/64
29	E53-FD-9	PAWL ASSY., R.H.	1	FTO-E	57/64
30	957E-2796*	SECTOR	1		57/64
31	118322-ES	WASHER	2		57/64
32		WASHER, 7/16 Lock	3		57/64
33		BOLT, 7/16-20 x 1-3/4 Hex Hd. (Lever Locking)	1		57/64
34		BOLT, 7/16-14 x 1-1/4 Hex Hd. (Sector to Housing)	2		57/64
35	957E-2443-A*	PEDAL, L.H.	1		57/6-60
35	957E-2443-B*	PEDAL, L.H.	1		6-60/64
36	957E-2455-A*	PEDAL, R.H.	1		57/64
37	957E-2470*	BUSHING, Inner	1		57/64
38	957E-2480	BUSHING, Outer	112	(2) w/Dual Brakes	57/64
39	C7NN-2N059-A	PIN, Brake Pedal Locking	1		57/64
40	E44-FC-9*	LATCH ASSY., L.H.	1		57/64
41	116313-ES	PIN, Spring	1		57/6-60
41		PIN, 3/16 x 5/8 Spring	1		6-60/64
-	E93-FC-9	BRACKET ASSY., Brake Pedal Stop	1	FTO-E	6-62/64

* No Longer Serviced

DEXTA

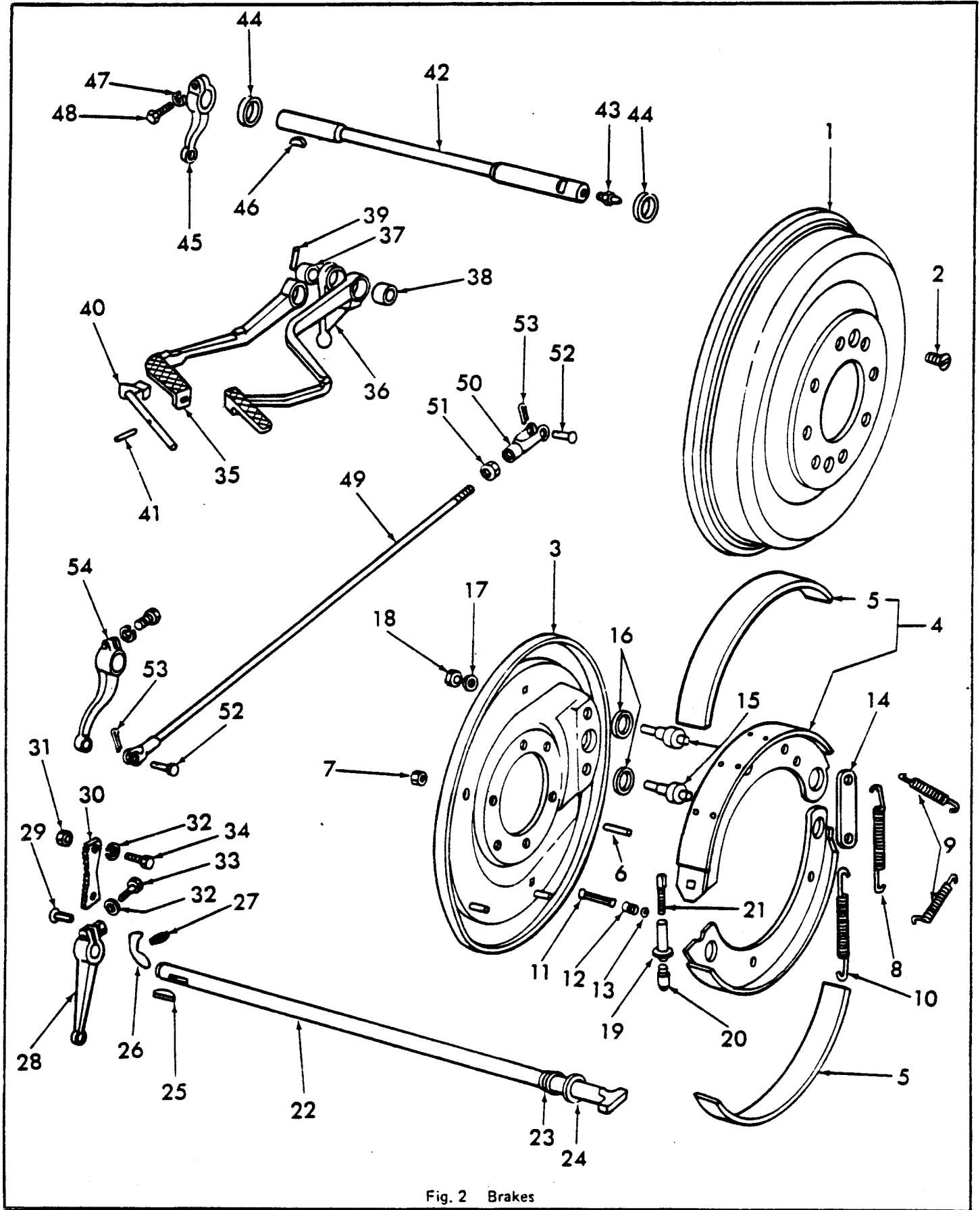


Fig. 2 Brakes

DEXTA

FIG.	PART NO.	PART NAME	QTY.	REMARKS	YEAR
2		<u>BRAKES (CONT'D)</u>			
42	957E-2459	SHAFT, Brake Pedal Cross	1	FTO-E	57/64
43		LUBRICATOR	1		57/64
44	E13-FC-9	SEAL, Shaft	2		57/64
45	957E-2483-B*	LEVER, L.H.	1		57/64
46		KEY, 1/4 x 1 Woodruff	1		57/64
47		WASHER, 7/16 Lock	1		57/64
48		BOLT, 7/16-20 x 1-3/4 Hex	1		57/64
49	957E-2465-B*	ROD ASSY.	2		57/12-59
50	97013-S36	CLEVIS, Adj.	2		57/64
51		NUT, 3/8-24 Lock	2		57/64
52		PIN, 3/8 x 1-1/8 Clevis	4		57/64
53		PIN, 1/8 x 5/8 Cotter	4		57/64
54	957E-2315-A*	LEVER	1		57/64
		* No Longer Serviced			

DEXTA

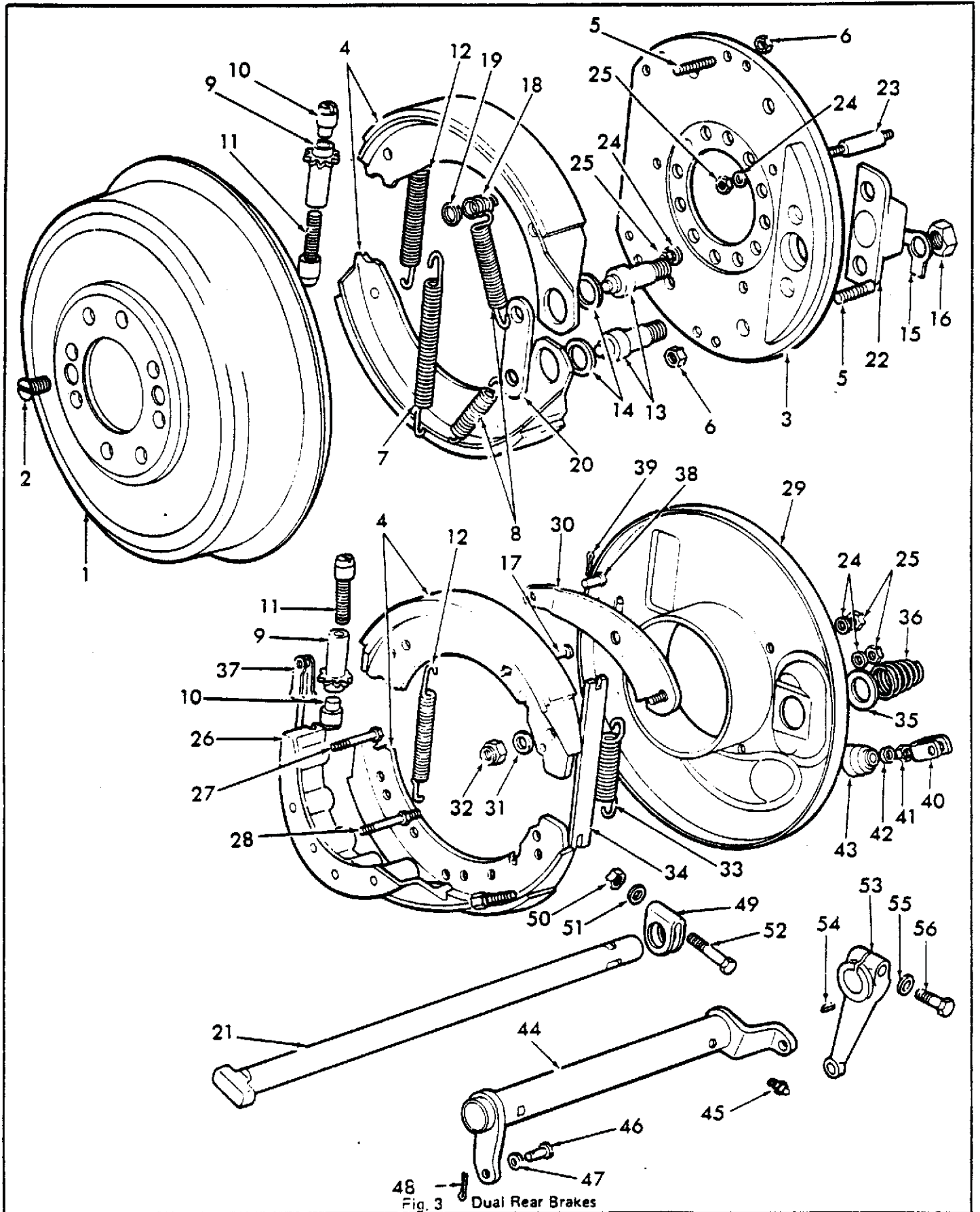


Fig. 3 Dual Rear Brakes

DEXTA

FIG.	PART NO.	PART NAME	QTY.	REMARKS	YEAR
3		<u>DUAL REAR WHEEL BRAKES</u>			
1	957E-1126-B*	DRUM, Brake	2		1-62/64
2		SCREW, 3/8-16 x 3/4 Flat Hd.	4		57/64
3	957E-2213*	PLATE ASSY., R.H.	1		1-62/64
3	957E-2214*	PLATE ASSY., L.H.	1		1-62/64
4	957E-2019-C	SHOE & LINING ASSY.	4	FTO-E	1-62/64
4	957E-2019-D*	SHOE & LINING ASSY. (Mech. Brake)	4		1-62/3-62
4	957E-2019-E	SHOE & LINING ASSY. (Mech. Brake)	4	FTO-E	3-62/64
5	957E-2025-B*	POST, Steady Shoe	16		1-62/64
6	114129-ES*	NUT, 5/16-24 Recessed	16		1-62/64
7	957E-2035	SPRING, Anchor	2		1-62/64
8	957E-2036	SPRING, Anchor	2		1-62/64
9	957E-2039	HOUSING ASSY., Adjuster	4		1-62/64
10	957E-2043	TAPPET, Plain	4	FTO-E	1-62/64
11	957E-2044*	TAPPET, Adjustable	4		1-62/64
12	957E-2049-B*	SPRING	4		1-62/64
13	957E-2067-B*	PIN, Anchor	4		1-62/64
14	118319-ES*	WASHER, 1-1/8 I.D. x 1-1/2 O.D. x 3/16 Flat	4		1-62/64
15	113301-ES*	WASHER, 25/32 I.D. x 1-19/64 O.D. x 1/32 Tab	4		1-62/64
16	114123-ES*	NUT, 3/4-16 Lock	4		1-62/64
17	957E-2069-B*	PIN, Shoe Hold Down	8		1-62/64
18	957E-2068	SPRING	8		1-62/64
19	957E-2066	CUP	8		1-62/64
20	957E-2073*	PLATE, Anchor Pin	2		1-62/64
21	957E-2246-C*	CAMSHAFT, R.H.	1		1-62/64
21	957E-2247-C*	CAMSHAFT, L.H.	1		1-62/64
22	E173-FB-9*	BLOCK, Abutment-Mechanical	2		1-62/64
23	113781-ES2*	STUD, 1/4-28 x 3-1/4 Stud	4		1-62/64
24		WASHER, 1/4 Lock	16		1-62/64
25		NUT, 1/4-28 Hex	16		1-62/64
26	E181-FB-9*	GUIDE, Cable R.H.	1		1-62/64
26	E180-FB-9*	GUIDE, Cable L.H.	1		1-62/64
27	113713-ES2*	BOLT, Guide to Back Plate	4		1-62/64
28	113780-ES*	STUD, 1/4-28 x 3-1/4 Stud	6		1-62/64
29	E184-FB-9*	COVER ASSY., Dust R.H.	1		1-62/64
29	E185-FB-9*	COVER ASSY., Dust L.H.	1		1-62/64
30	E212-FB-9*	LEVER & PIN ASSY., R.H.	1		1-62/64
30	E213-FB-9*	LEVER & PIN ASSY.	1		1-62/64
-	E177-FB-9*	PIN, Operating Fulcrum	2		1-62/3-62
31	119286-S7/8*	WASHER	2		1-62/64
32		NUT, 3/8-24 Self Locking	2		1-62/64
33	E174-FB-9*	SPRING, Shoe Return	2		1-62/64
34	E179-FB-9*	ROD	2		1-62/64
35	118321-ES100*	WASHER, 1.035 I.D. x 1.906 O.D. x .064 Flat	2		1-62/64
36	E37-FB-9*	SPRING			

* No Longer Serviced

DEXTA

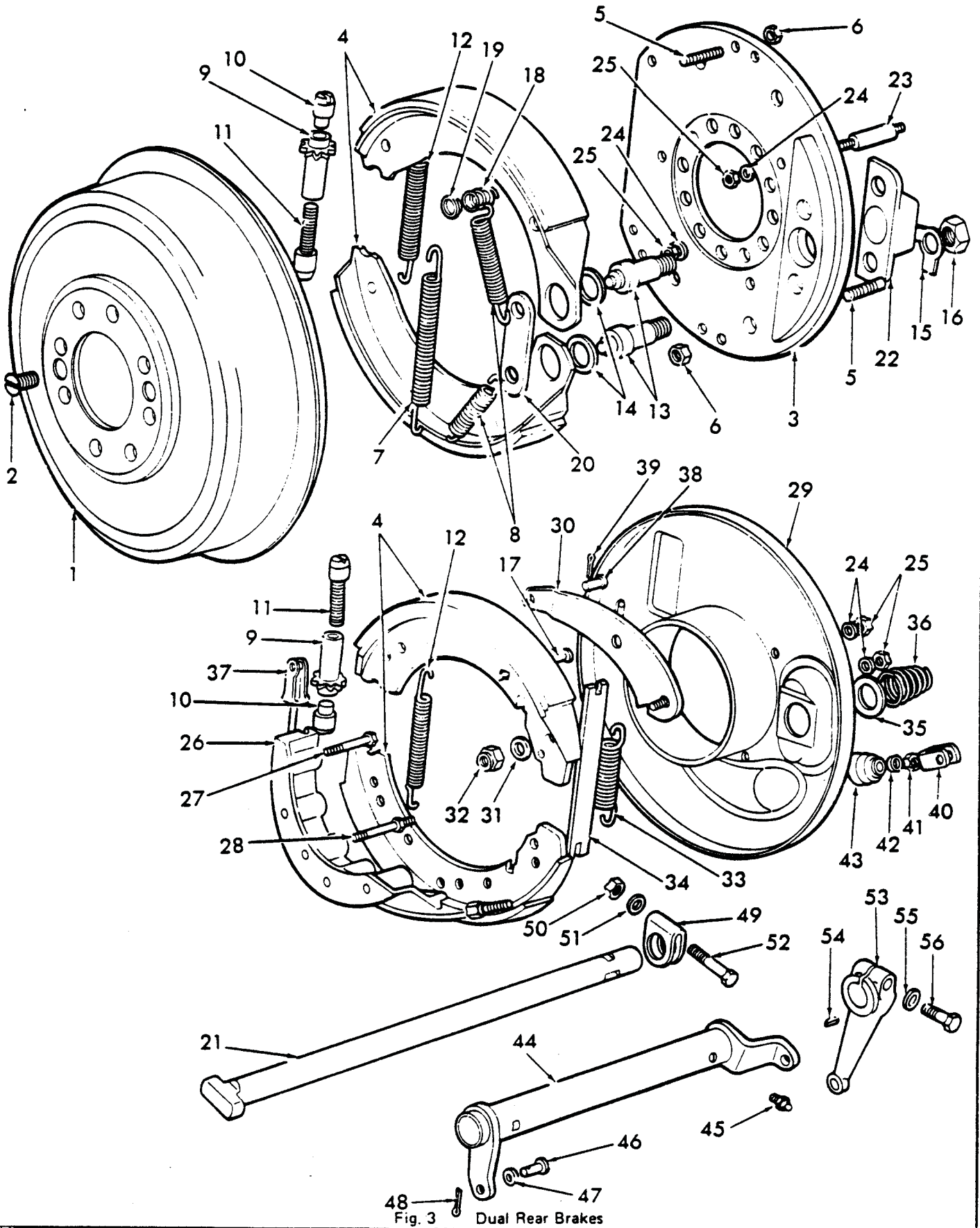


Fig. 3 Dual Rear Brakes

DEXTA

FIG.	PART NO.	PART NAME	QTY.	REMARKS	YEAR
3		<u>DUAL REAR WHEEL BRAKES (CONT'D)</u>			
37	957E-2493*	CABLE	2		1-62/64
38		PIN, 5/16 x 7/8 Clevis	2		1-62/64
39		PIN, 3/16 x 1/2 Cotter	2		1-62/64
40	117108-ES*	CLEVIS, Adj. 5/16-24	2		1-62/64
41		NUT, 5/16-24 Check	2		1-62/64
42	E187-FB-9*	SLEEVE, Dust	2		1-62/64
43	E182-FB-9*	BOOT ASSY.	2		1-62/64
44	E310-FD-9*	TUBE ASSY., L.H.	1		1-62/64
45	353043-ES7/8B	FITTING, Lube	2		1-62/64
46		PIN, 3/8 x 1-1/8 Clevis	1		1-62/64
47	113303-ES*	WASHER, 1/8 I.D. x 5/8 O.D. x 5/64 Flat	2		1-62/64
48		PIN, 5/16 x 7/8 Clevis	1		1-62/64
49	E311-FD-9*	CLAMP, Lever Locating	2		1-62/64
50		NUT, 5/16-24 Hex	2		1-62/64
51		WASHER, 5/16 Flat	2		1-62/64
52		BOLT, 5/16-24 x 2 Hex	2		1-62/64
53	E102-F-9*	LEVER, R.H.	1		1-62/64
54		KEY, 1/4 x 1 Woodruff	1		1-62/64
55		WASHER, 7/16 Lock	1		1-62/64
56		BOLT, 7/16-20 x 1-3/4 Hex Hd.	1		1-62/64
		* No Longer Serviced			

DEXTA

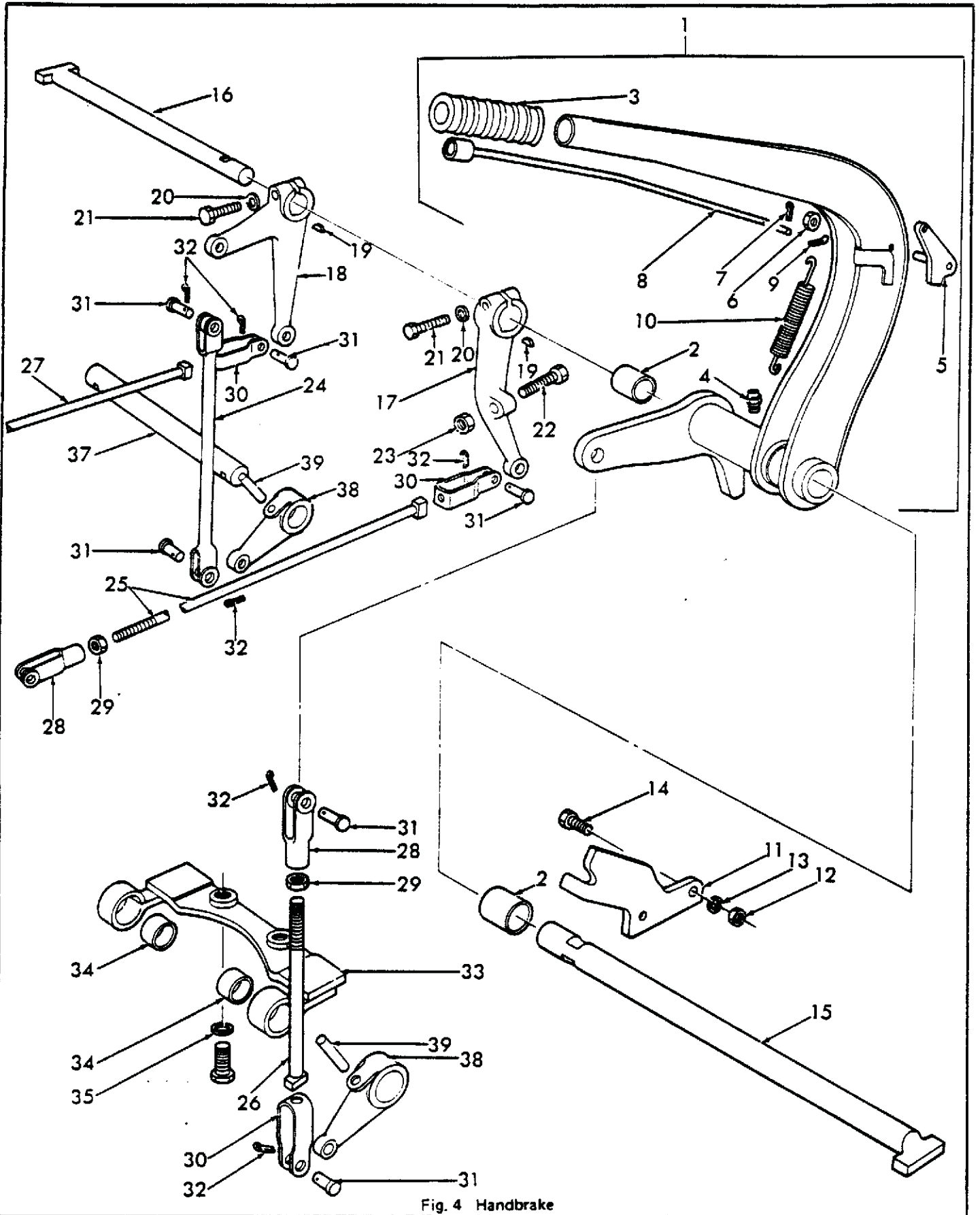


Fig. 4 Handbrake

DEXTA

FIG.	PART NO.	PART NAME	QTY	REMARKS	YEAR
4		<u>HANDBRAKE</u>			
1	957E-2780-B	LEVER ASSY.	1		57/64
1	957E-2780-C*	LEVER ASSY. Consists of Lever plus:	1	With Dual Brakes	1-62/64
2	78-2477	BUSHING	2		57/64
3	957E-2777	GRIP	1	FTO-E	57/64
4	353043-ES7/8B	FITTING, Lube	1		57/64
-	957E-2785*	ROD, Pawl	1		57/7-61
-	957E-2786-B	PAWL, Lever	1	FTO-E	57/7-61
5	C5NN-2N615-B	PAWL & SPINDLE ASSY.	1	FTO-E	7-61/64
6	119270-ES	WASHER	1	FTO-E	7-61/64
7		PIN, 1/16 x 3/8 Cotter	1		57/64
8	C5NN-2N607-B*	BUTTON & ROD ASSY.	1		7/61
9		PIN, 1/8 x 5/8 Cotter	1		57/64
10	E83W-13515*	SPRING, Lever Retracting	1		57/7-61
10	EOA-2744	SPRING, Lever Retracting	1	FTO-E	7-61/64
11	957E-2795-A	SECTOR	1	FTO-E	57/7-61
11	957E-2795-B	SECTOR	1	FTO-E	7-61/64
12		NUT, 3/8-24 Hex	2		57/64
13		WASHER, 3/8 Lock	2		57/64
14		BOLT, 3/8-24 x 1-1/4 Hex - Sector to Fender	2		57/64
15	957E-2247-B	CAMSHAFT, L.H.	1	FTO-E	57/64
16	957E-2246-B	CAMSHAFT, R.H.	1	FTO-E	57/64
17	957E-2315-B*	LEVER, L.H.	1		57/64
18	E36-FC-9*	LEVER, R.H.	1		57/64
19		KEY, 1/4 x 1 Woodruff - Levers to Shaft	2		57/64
20		WASHER, 7/16 Lock	2		57/64
21		BOLT, 7/16-20 x 1-3/4 Hex	2		57/64
22	115894-ES	BOLT, Lever Adjusting	1		57/64
23		NUT, 7/16-20 Hex	1		57/64
24	957E-2863-B*	ROD ASSY., R.H.	1		57/64
25	957E-2466-B*	ROD	1		57/64
26	E158-FD-9*	ROD, L.H.	1		57/64
27	957E-2465-B*	ROD	1		57/12-59
28	97013-S36	CLEVIS, Adjustable	2		57/64
29		NUT, 3/8-24 Hex Check	2		57/64
30	957E-2857	CLEVIS	3	FTO-E	57/64
31		PIN, 3/8 x 1-1/8 Clevis	6		57/64
32		PIN, 1/8 x 5/8 Cotter	6		57/64
33	E314-FD-9*	BRACKET & SUPPORT ASSY.	1		57/64
34	78-2477	BUSHING	2		57/64
35		WASHER, 5/8 Lock	2		57/64
36		BOLT, 5/8-11 x 1-7/8 Hex Hd.	2		57/64
37	957E-2832-B	SHAFT, Cross	1	FTO-E	57/64
-	957E-2480	BUSHING, Supp. Bracket	2	FTO-E	12-61/64
38	957E-2838	LEVER, Shaft	2	FTO-E	57/64
39	508E-5782	PIN, Lever to Shaft	2		57/64
-	E154-FD-9	LEVER	1	FTO-E	57/7-61
		* No Longer Serviced			

DEXTA

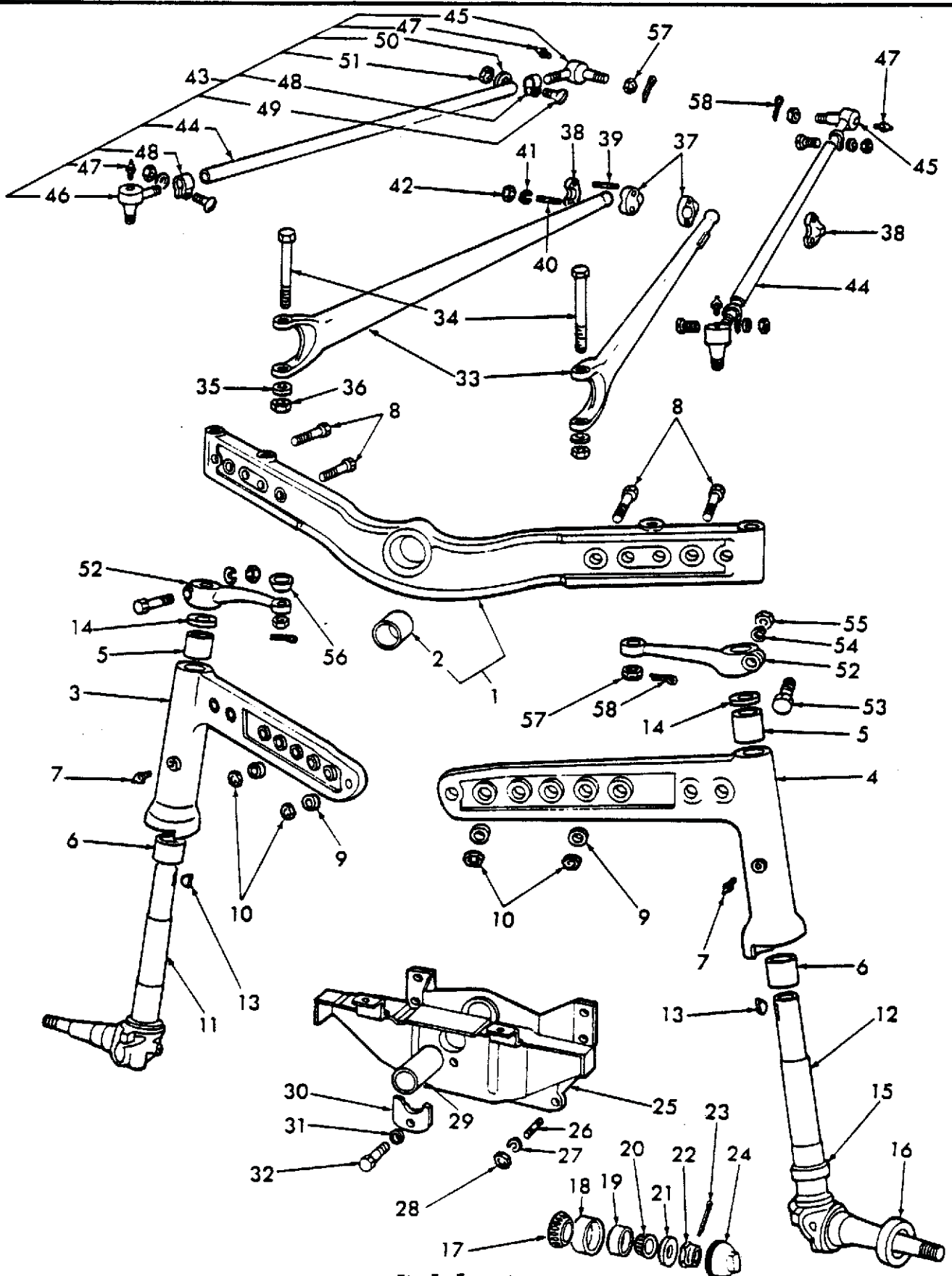


Fig. 5 Front Axle

DEXTA

FIG.	PART NO.	PART NAME	QTY.	REMARKS	YEAR
5		<u>FRONT AXLE</u>			
1	NAA-3010-B2	AXLE ASSY., Front Center Consists of Axle plus:	1		57/64
2	957E-3039	BUSHING	1		57/64
3	957E-3006	AXLE ASSY., R.H.	1	FTO-E	57/64
4	957E-3007	AXLE ASSY., L.H.	1	FTO-E	57/64
5	957E-3109-B	BUSHING, Upper	2		57/64
6	957E-3110-B	BUSHING, Lower	2		57/64
7	353043-ES7/8B	FITTING, Lube	2		57/64
8		BOLT, 5/8-18 x 3-3/8 Hex	4		57/64
9		WASHER, 5/8 Lock	4		57/64
10		NUT, 5/8-18 Hex	4		57/64
11	957E-3105	SPINDLE ASSY., R.H.	1		57/64
12	957E-3106	SPINDLE ASSY., L.H.	1		57/64
13		KEY, 1/4- x 7/8 Woodruff	2		57/64
14	957E-3121-A	SEAL, Dust	2		57/64
15	CONN-3123-B	BEARING	2		57/64
16	957E-1190-A	RING	2		57/64
17	957E-1201-B	CONE & ROLLER ASSY., Inner	2		57/64
18	8A-1202-B	CUP, Inner	2		57/64
19	204E-1217-A	CUP, Outer	2		57/64
20	204E-1216-A	CONE & ROLLER ASSY., Outer	2		57/64
21	957E-1195	WASHER, Bearing Retainer	2		57/64
22	387930-S36	NUT, 3/4-16 Hex Slotted Gr. 8	2		57/64
23		PIN, 5/32 x 1-1/4 Cotter	2		57/64
24	957E-1139	CAP, Hub	2		57/64
25	959E-3048*	SUPPORT & BRACKET ASSY.	1	Petrol	11-60/64
25	957E-3048*	SUPPORT & BRACKET ASSY.	1		57/64
26	117460-ES2	STUD, 9/16 - 12 - 18 x 1-55/64	6		57/64
27		WASHER, 9/16 Lock	6		57/64
28		NUT, 9/16-18 Hex	6		57/64
29	957E-3127	PIN, Pivot	1		57/64
30	E168-DB-9*	RETAINER, Pin	1		57/64
31		WASHER, 1/2 Shakeproof Int.	1		57/64
32		BOLT, 7/16-20 x 1-7/16 Hex	1		57/64
33	959E-3405*	ROD ASSY., Radius	2	Petrol	11-60/64
33	957E-3405	ROD ASSY., Radius	2	FTO-E	57/64
34	957E-3415-A	BOLT, Rod Foot	2		57/64
35	351505-S8	WASHER, 5/8 Flat	2		57/64
36		NUT, 5/8-18 Hex	2		57/64
37	C5NN-3N442-C	SPACER, Ball	2		57/64
38	957E-3440-A	CAP, Ball R.H.	1	FTO-E	57/64
38	957E-3440-A	CAP, L.H. (With Twin Batteries)	1	FTO-E	57/64
38	C7NN-3N406-A	CAP, L.H. (Less Twin Batteries)	1		57/64
39	380313-S8	STUD, 7/16-14-20 x 1-3/4 (Gr. 8)	2		57/64
40		STUD, 7/16-14-20 x 3-1/4	4		57/64
41		WASHER, 7/16 Lock	6		57/64
42		NUT, 7/16-20 Hex	6		57/64
		* No Longer Serviced			

DEXTA

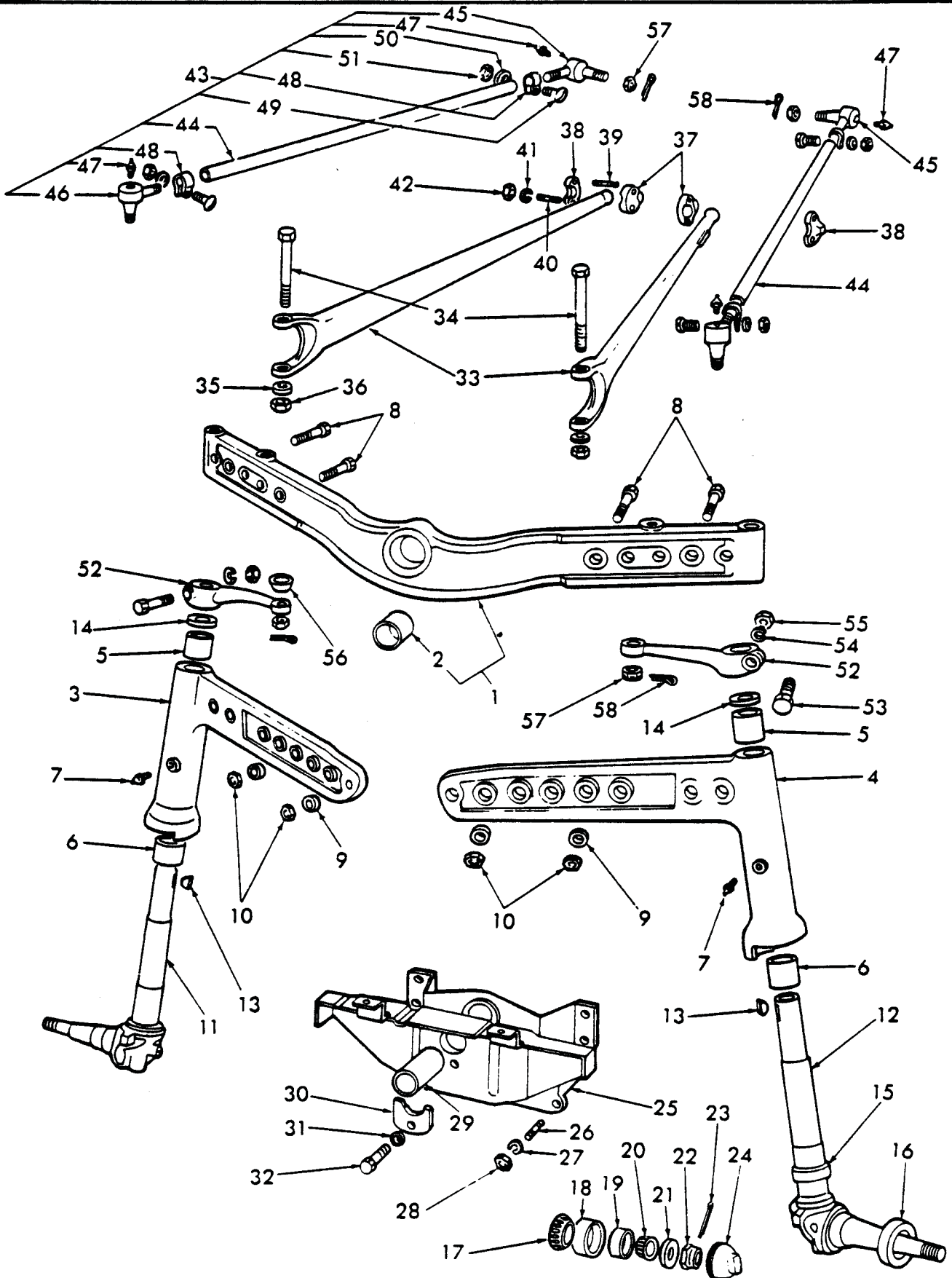


Fig. 5 Front Axle

DEXTA

FIG.	PART NO.	PART NAME	QTY	REMARKS	YEAR
5		<u>FRONT AXLE (CONT'D)</u>			
43	959E-3304-A*	LINK ASSY., Drag	2	Petrol	60/5-63
43	959E-3304-B	LINK ASSY., Drag	2	Petrol FTO-E	5-63/64
		Consists of:			
44	957E-3314	SLEEVE, Link Adj.	2		57/64
44	959E-3314*	SLEEVE, Link Adj.	2	Petrol	11-60/64
45	957E-3307-B	END ASSY., Rear	2	Prior to 5-63 use Assy.	57/64
46	957E-3290-B	END ASSY., Front	2		5-63/64
47	353047-ES7/8B	FITTING, Lube	4		57/64
48	957E-3287	CLIP	4		57/64
49		BOLT, 5/16-24 x 1-1/4 Carr.	4		57/64
50		WASHER, 5/16 Lock	4		57/64
51		NUT, 5/16-24 Hex	4		57/64
52	310799	ARM, Steering	2		57/64
53		BOLT, 7/16-24 x 2-1/4 Hex Hd.	2		57/64
54		WASHER, 7/16 Lock	2		57/64
55		NUT, 7/16-24 Hex Self-Locking	2		57/64
56	957E-3324-A*	COVER ASSY., Drag Link Dust	2		57/5-63
56	957E-3332*	SEAL, Ball Stud	2	FTO-E	57/5-63
57		NUT, 1/2-20 Hex Self-Locking	2		57/64
58		PIN, 3/32 x 7/8 Cotter	4		57/64
		* No Longer Serviced			

DEXTA

FIG.	PART NO.	PART NAME	QTY	REMARKS	YEAR
6		<u>STEERING GEAR</u>			
-	957E-3503-A	GEAR ASSY., Less Wheel	1	FTO-E	57/64
1	957E-3515*	COLUMN	1		57/64
2		STUD, 7/16-20-14 x 1-7/8	4		57/64
3	116028-ES	WASHER	4	FTO-E	57/64
4		NUT, 7/16 -20 Hex	4		57/64
-	E247-LA-9*	SHIM, Cover Plate .010 Thk.	AR		57/64
5	E40-LA-9	PLATE, Column Cover	1		57/64
6		STUD, 1/4-28-20 x 1-1/16	6		57/64
7	118141-ES	WASHER, 17/64 I.D. Double Tab	6		57/64
8		NUT, 1/4-28 Hex	6		57/64
9	E41-LA-9	SHIM, .004 Thick Steel	AR	FTO-E	57/64
9	E42-LA-9*	SHIM, .002 Thick Paper	AR		57/64
9	E43-LA-9*	SHIM, .010 Thick Paper	AR		57/64
10	957E-3520	CAP, Dust	1	FTO-E	57/64
11	E44-LA-9	SEAL	1		57/64
12	957E-3556	SEAT, Adj. Ball	2		57/64
13	C9NN-3647-A*	BALL	15		57/64
14	957E-3524	SHAFT & MAIN NUT ASSY.	1		57/64
15	957E-3600	WHEEL ASSY.	1		57/64
16	957E-3516-B*	NUT	1		57/64
-	118313-ES*	WASHER, Flat	1		57/1-59
17	957E-3548	HOUSING ASSY.	1		57/64
18		WASHER, 1/2 Lock	4		57/64
19	996414-ES*	WASHER, 1/2 B.S.F. Flat	4		57/64
20	118992-ES2*	BOLT, 1/2-13 x 1-7/16 Spec. Hex Hd.	4		57/64
21	957E-3558	BUSHING, Inner	2		57/64
-	115415-ES*	PLUG, Housing 1/8 Taper Thread	1		57/64
22	957E-3593	GASKET	1		57/64
23	E81-LA-9*	HOUSING, Rocker Shaft	1	FTO-E	57/64
24	957E-3576	BUSHING, Outer	2		57/64
25		STUD, 7/16-20-14 x 1-7/8	6		57/64
26	116028-ES*	WASHER, 29/64 I.D. Double Tab	6		57/64
27		NUT, 7/16-20 Hex	6		57/64
28	E45-LA-9	SEAL, Inner	2		57/64
29	E46-LA-9*	SHIM, .002 Paper	AR		57/64
29	E47-LA-9*	SHIM, .010 Paper	AR		57/64
29	E48-LA-9*	SHIM, .004/.005 Plastic or Steel	AR		57/64
29	E49-LA-9*	SHIM, .030 Plastic or Steel	AR		57/64
30	957E-3575	SHAFT	2		57/64
31	957E-3590	ARM, Rear	2		57/64
32		WASHER, 7/8 Lock	2		57/64
33		NUT, 7/8-14 Hex Jam	2		57/64
		* No Longer Serviced			

DEXTA

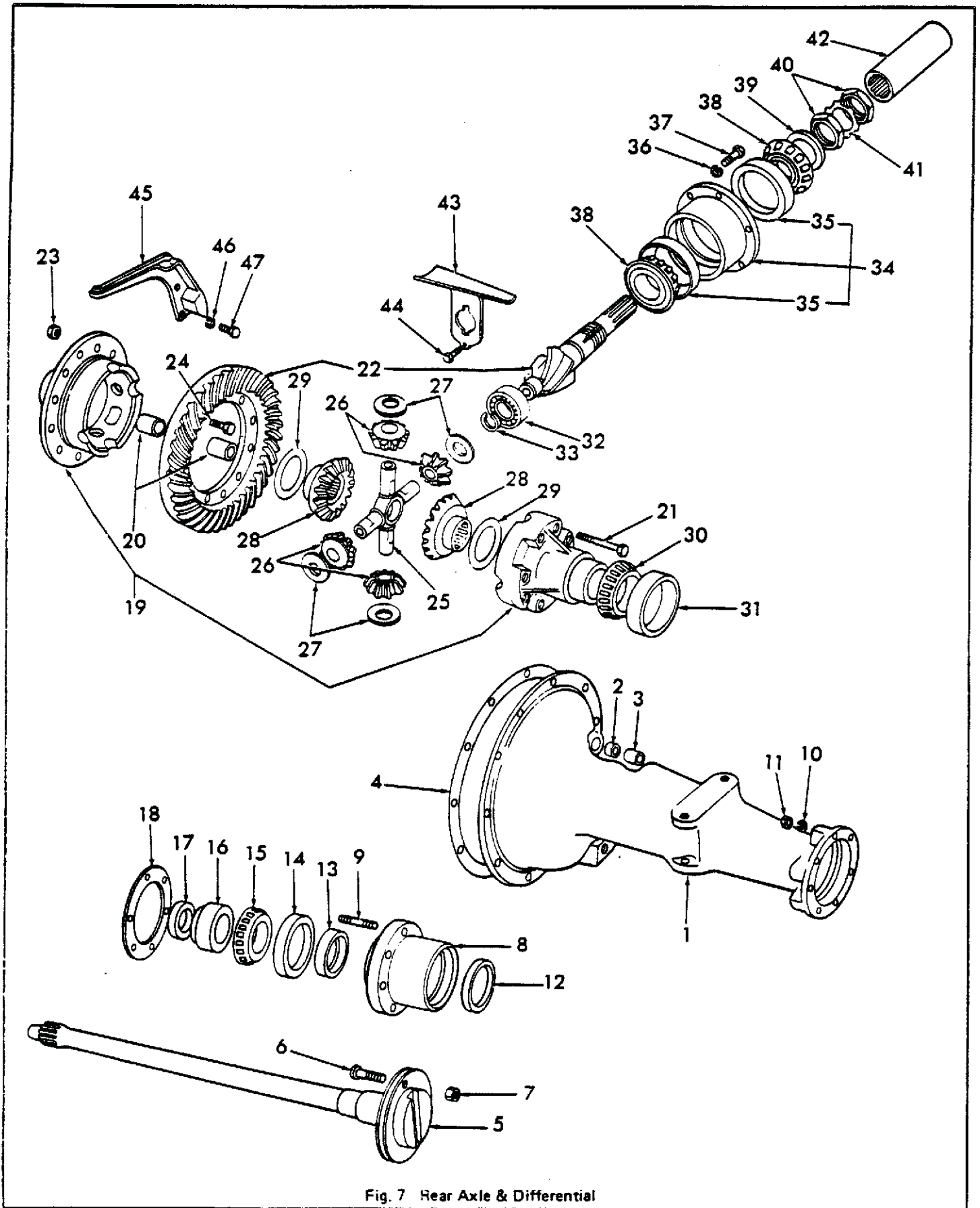


Fig. 7 Rear Axle & Differential

DEXTA

FIG.	PART NO.	PART NAME	QTY	REMARKS	YEAR
7		<u>REAR AXLE & DIFFERENTIAL</u>			
1	957E-4010-B	HOUSING ASSY., Rear Axle R.H.	1		11-57/2-62
1	957E-4010-C	HOUSING ASSY., Rear Axle R.H.	1		2-62/64
-	957E-4011-B	HOUSING ASSY., Rear Axle L.H.	1		57/64
2	119786-ES	PLUG, Expansion	2		57/64
3	78-2477	BUSHING, Brake Camshaft	2		57/64
-		NUT, 7/16-20 Hex (Housing to Trans. Hsg.)	26		57/1-59
-		NUT, 1/2-20 Hex Self-Locking	26		1-59/64
4	NAA-4036-A	GASKET	2		57/64
5	960-E-4235	SHAFT, Axle	2		57/64
6	957E-1117	BOLT (Axle Shaft to Wheel)	16		57/64
7	957E-1120	NUT	16		57/64
8	957E-4133*	RETAINER	2		57/64
9	117458-ES2	STUD	10		57/64
10		WASHER, 7/16 Lock	8		57/64
11		NUT, 7/16-20 Hex	10		57/64
12	957E-4250-A	SEAL ASSY., Oil	2		57/64
13	957E-4374-A	SPACER	2	FTO-E	57/2-58
13	C7NN-4374-N	SPACER	2		2-58/64
14	E19-EB-9	CUP	2		57/64
15	E18-EB-9	CONE & ROLLER ASSY.	2		57/64
16	957E-4132	COLLAR	2		57/64
17	957E-4233-B	SEAL ASSY., Inner	2		57/64
18	957E-4229-B	SHIM, .015" - .017"	AR		57/64
18	957E-4229-C	SHIM, .020" - .022"	AR		57/64
18	957E-4229-E	SHIM, .049" - .051"	AR	FTO-E	57/64
18	957E-4229-F	SHIM, .056" - .058"	AR	FTO-E	57/64
19	E297-EB-9	CASE ASSY., Differential	1	Without Diff. Lock	57/64
20	E75-EB-9*	BUSHING	2		57/11-61
21	43104-S36	BOLT, 1/2-13 x 2.88 Self-Lock Gr. 8	8		57/64
22	957E-4209	PINION & GEAR ASSY.	1	Ex. Super Dexta	57/64
22	960E-4209	PINION & GEAR ASSY.	1	Super Dexta	4-62/64
23		NUT, Self-Locking	12		57/64
24	E94-EB-9	BOLT, Gear to Case	12		57/64
25	C5NN-4211-B	SPIDER	1		57/64
26	DDN-4213-B	PINION	4		57/64
27	508E-4230-A	WASHER, Thrust	4		57/64
28	957E-4236	GEAR	2		57/64
29	508E-4228-A	WASHER, Thrust	2		57/64
30	BB-4221-B	CONE & ROLLER ASSY.	2	C	57/64
31	BB-4222	CUP	2	C	57/64
32	957E-4625-A	BEARING	1		57/4-62
32	D1NN-4A242-A	BEARING	1		4-62/64
33	BB-4627	RING, Lock	1		4-62/64
33	960-E-4627	RING, Lock	1		4-62/64
		* No Longer Serviced			

DEXTA

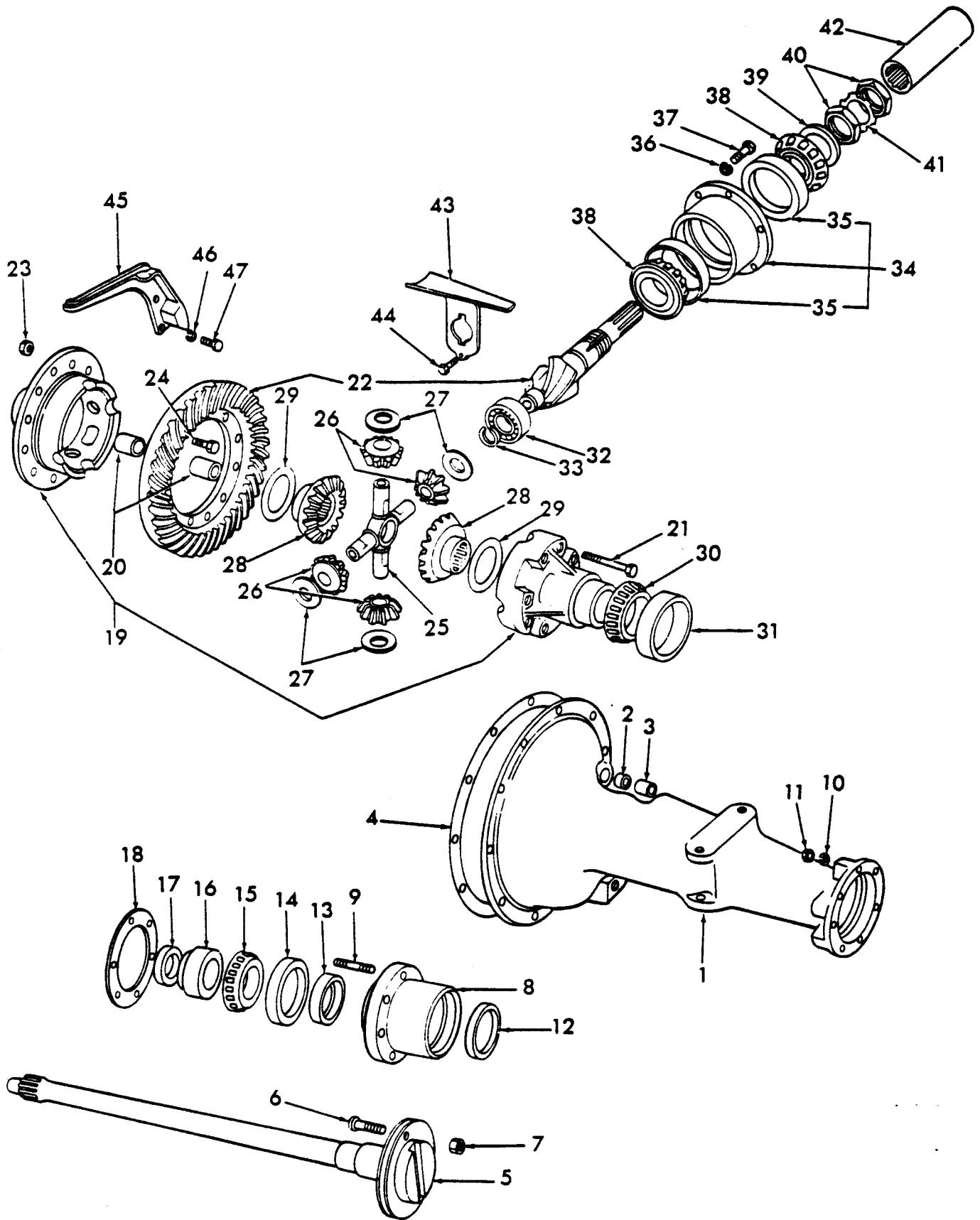


Fig. 7 Rear Axle & Differential

DEXTA

FIG.	PART NO.	PART NAME	QTY.	REMARKS	YEAR
7		<u>REAR AXLE & DIFFERENTIAL (CONT'D)</u>			
34	960E-4614	HOUSING ASSY. (Use w/960E-4621 replacing prior Hsg.) Consists of Housing plus:	1	FTO-E	4-62/64
35	BB-4616-B	CUP	2		57/4-62
35	960E-4616	CUP	2		4-62/64
36		WASHER, 9/16 Lock	6		57/64
37		BOLT, 9/16-12 x 1-1/4 Hex Hd.	6		57/64
38	BB-4621-B	CONE & ROLLER ASSY.	2		57/4-62
38	960E-4621	CONE & ROLLER ASSY.	2		4-62/64
39	BB-4667	WASHER, Thrust	1		57/4-62
39	CSNN-4667-B	WASHER, Thrust	1		4-62/64
40	EB-4634*	LOCKNUT	2		57/4-62
40	960E-4634	NUT	2		4-62/64
41	EB-4636*	WASHER	1		57/4-62
41	960E-4636	WASHER	1		4-62/64
42	957E-4605-A	COUPLING ASSY.	1		57/4-62
42	960E-4605	COUPLING ASSY.	1	FTO-E	4-62/64
43	957E-4150	TROUGH ASSY.	1		57/64
44		RIVET, 1/4 x 1-1/8 Rd. Hd.	2		57/64
45	957E-4194*	BLOCK	1		57/64
46		WASHER, 3/8 Lock	2		57/64
47		BOLT, 3/8 - 16 x 1 Hex Hd.	2		57/64
		* No Longer Serviced			

DEXTA

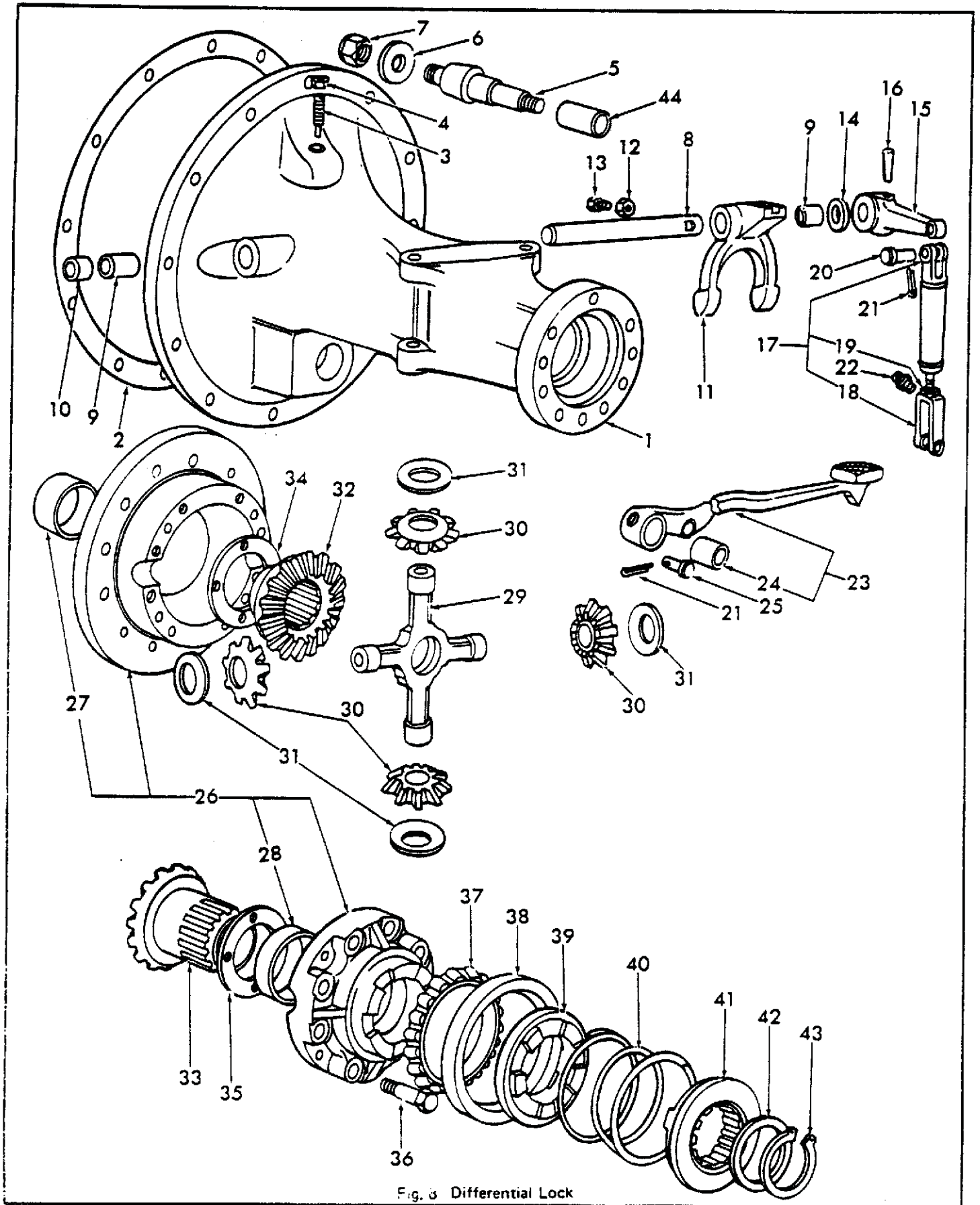


Fig. 3 Differential Lock

DEXTA

FIG.	PART NO	PART NAME	QTY.	REMARKS	YEAR
8		<u>DIFFERENTIAL LOCK</u>			
1	957E-4010-C	HOUSING, Rear Axle	1		11-61/64
2	NAA-4036-C	GASKET	1		57/64
3	E211-EB-9	SCREW, Fork Stop	1		11-61/64
4		NUT, 3/8-16 Hex	1		11-61/64
5	E198-EB-9*	SHAFT, Pedal Support	1		11-61/64
6	118318-ES*	WASHER, Flat	1		57/64
7		NUT, 3/4-16 Hex	1		11-61/64
8	E197-EB-9	SHAFT, Operating	1		11-61/64
9	E192-EB-9	BUSHING, Shaft	2		11-61/64
10	E193-EB-9	PLUG, Shaft	1		11-61/64
11	CSNN-4N053-A	FORK, Operating	1		11-61/64
12		NUT, 3/8-24 Hex	1		11-61/64
13	957E-7245	SCREW, Fork to Shaft	1		11-61/64
14	E196-EB-9	SEAL	1		11-61/64
15	E195-EB-9*	LEVER	1		11-61/64
16	508E-5782	PIN	1		11-61/64
17	E199-EB-9	ROD & TUBE ASSY. Consists of Tube plus:	1	FTO-E	11-61/64
18	E207-EB-9	ROD, Clevis	1		11-61/64
19		NUT, 5/16-24 Hex	1		11-61/64
20		PIN, 5/16 x 1-1/8 Clevis	1		11-61/64
21		PIN, 1/8 x 3/4 Cotter	2		11-61/64
22	353043ES7/8B	LUBRICATOR	1	FTO-E	11-61/64
23	E208-EB-9*	PEDAL ASSY. Consists of Pedal plus:	1		11-61/64
24	957E-7513	BUSHING	1		11-61/64
25		PIN, 5/16 x 1.62 Clevis	1		11-61/64
26	E298-EB-9	CASE ASSY., Differential Consists of Housings plus:	1		11-61/64
27	E167-EB-9*	BUSHING	1		11-61/64
28	E185-EB-9	BUSHING	1		11-61/64
29	CSNN-4211-B	SPIDER	1		57/64
30	DDN-4213-B	PINION	4		57/64
31	508E-4230-A	WASHER, Thrust	4		57/64
32	957E-4236	GEAR, L.H.	1		11-61/64
33	957E-4239	GEAR, R.H.	1	FTO-E	11-61/64
34	508E-4228-A	WASHER, Gear Thrust	1		11-61/64
35	957E-4228	WASHER, Gear Thrust	1		11-61/64
36	43104-S36	BOLT, 1/2-13 x 2.88 Lock Gr. 8	8	Rep'l. E1ADKN-4216	57/64
37	BB-4221-B	CONE ROLLER ASSY.	1		C 11-61/64
37	957E-4221	CONE & ROLLER ASSY.	1		11-61/64
38	BB-4222	CUP	1		C 11-61/64
38	957E-4222	CUP	1		11-61/64
38	957E-4222	CUP	1		11-61/64
39	E186-EB-9	ADAPTOR, Case Lock	1		11-61/64
40	E188-EB-9	SPRING, Lock Coupling	1		11-61/64
41	E187-EB-9	COUPLING	1		11-61/64
42	E189-EB-9	WASHER, Coupling Stop	1		11-61/64
43	E1ADDN-4286	RING, R.H.	1		11-61/64
-	CSNN-4N001-A	LOCKNUT, Rear Axle Bearing (With 960E-4235 replaces early type Axle Shaft)	2		4-62/64
44	E212-EB-9	SLEEVE, Pedal * No Longer Serviced	1		61/64

DEXTA

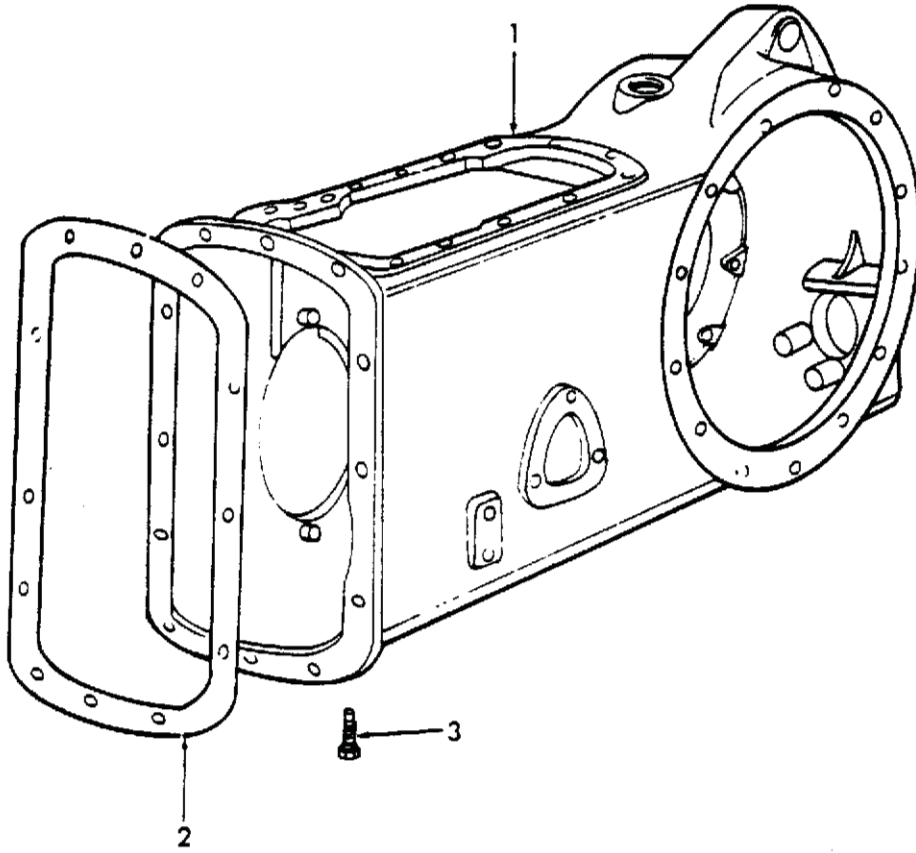
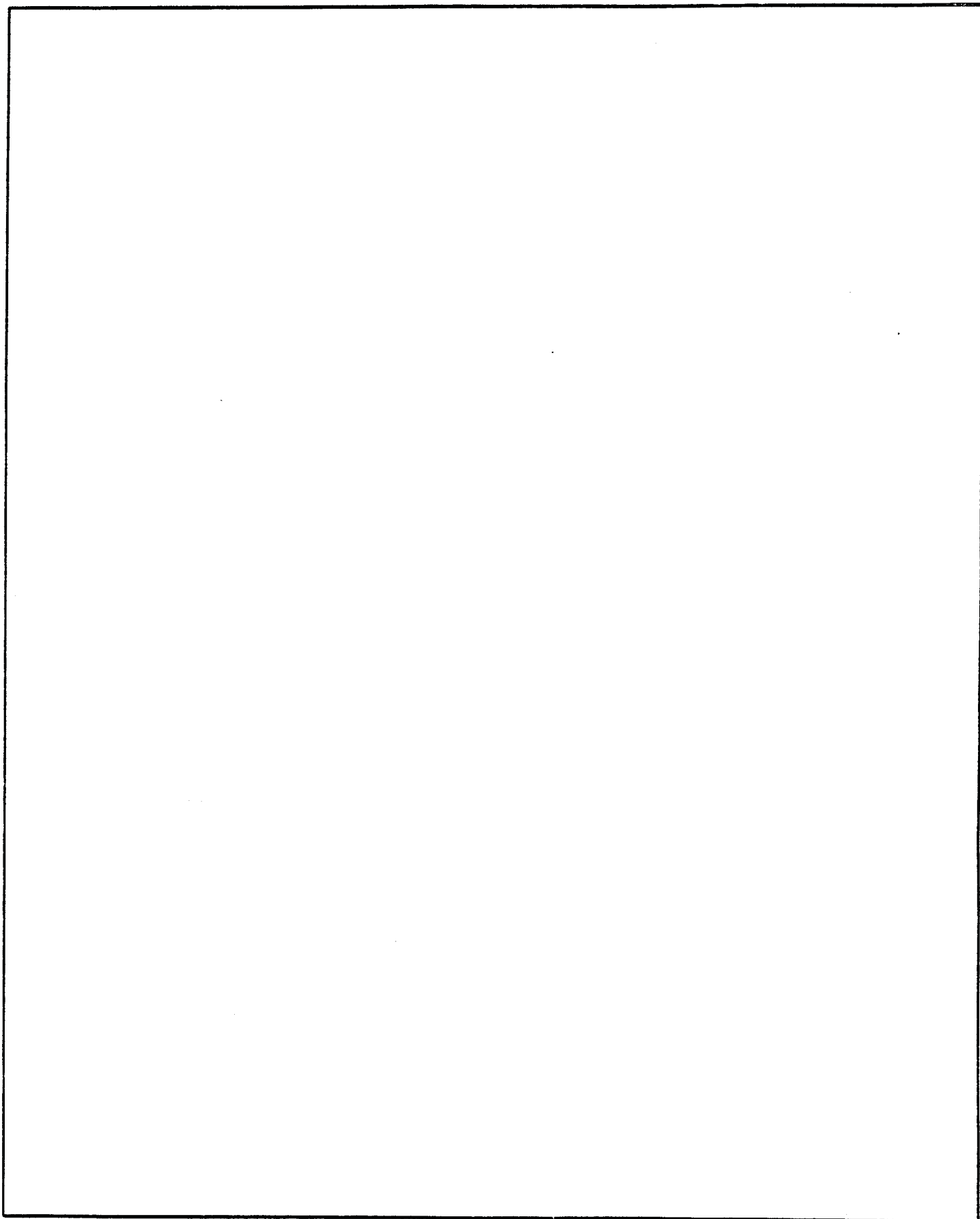


Fig. 9 Differential Housing

FIG.	PART NO.	PART NAME	QTY.	REMARKS	YEAR
9		<u>DIFFERENTIAL HOUSING</u>			
1	957E-4025	HOUSING ASSY., Differential	1		57/64
2	E15-EB-9	GASKET, Trans. Hsg. to Diff. Hsg.	1		57/64
-	E107-GF-9	DOWEL, H.P.L. to Housing	2		57/64
-		PLUG, 1/4-18 Drain - Oil Level	1		57/64
-	353051-ES	PLUG, 3/4 Pipe Square Hd. - Drain	1		57/64
-	376425-S36	BOLT, 7/16-14 x 1.156 Hex Hd. - Axle Housing to Shaft Housing	26		57/64
3	957E-995014*	BOLT, H.P.L. Filter	1		57/64
-	957E-4033	COVER, Top	1	Less H.P.L.	7-59/64
-		BOLT, 7/16-14 x 1-1/4 Hex Hd. (Cover to Hsg.)	13	Less H.P.L.	7-59/64
-	E1ADKN-7034	BOLT, Cover to Housing	1	Less H.P.L.	7-59/64
-	957E-7165*	COVER, P.T.O. Ext. Shaft Opening	1	Less H.P.L.	7-59/64
-	C5NN-4N032-A	BOLT, Cover to Housing	1	Less H.P.L.	7-59/64
		* No Longer Serviced			

DEXTA



DEXTA

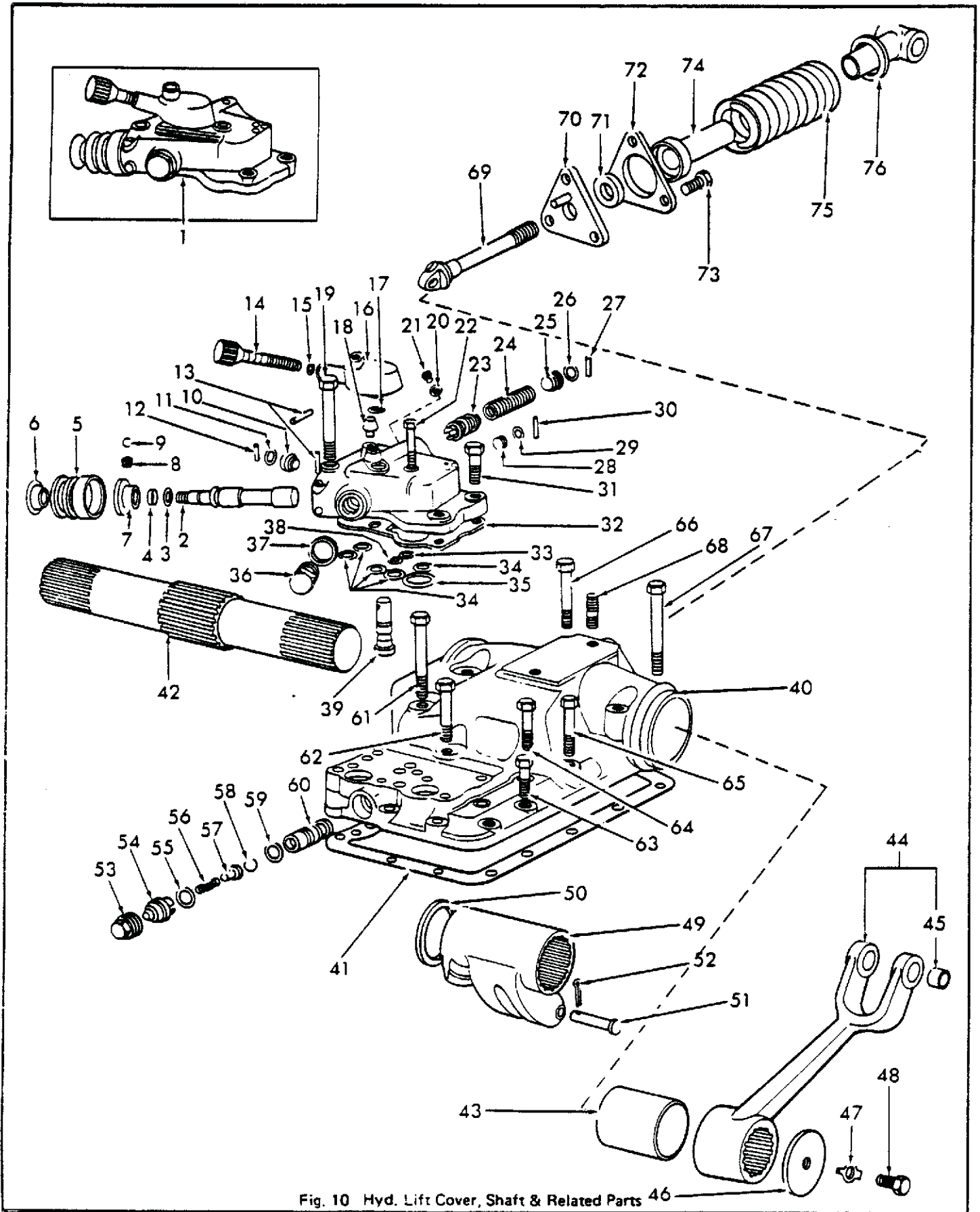


Fig. 10 Hyd. Lift Cover, Shaft & Related Parts

DEXTA

FIG.	PART NO.	PART NAME	QTY.	REMARKS	YEAR
10		<u>HYDRAULIC LIFT COVER, SHAFT & RELATED PARTS</u>			
1	E167-GF-9	VALVE ASSY., HPL Remote Control	1	Except w/D.A.R.	57/64
-	E56-GF-9*	DETENT, Control Valve	1		57/10-60
2	E54-GF-9*	SPOOL, Valve .7485/.7488" White	1		57/10-60
2	E69-GF-9*	SPOOL, Valve .7488/.7491" Blue	1		57/10-60
2	E70-GF-9*	SPOOL, Valve .7491/.7494" Yellow	1		57/10-60
2	E119-GF-9	SPOOL, Valve .7482/.7485" Green	1	FTO-E	57/10-60
2	E170-GF-9*	SPOOL, Valve	1		10-60/64
3	87034-S95	SEAL, Spool	1	Use w/E170-GF-9	10-60/64
3	87016-ES	SEAL, Spool	1		7-62/12-62
4	119270-ES*	WASHER, 5/8 x 25/64 x 1/16 Flat	1		10-60/64
5	E168-GF-9	COVER	1	FTO-E	10-60/64
6	C5HN-N513-A	KNOB	1	Repl. 957E-N513-A	57/64
7	E169-GF-9*	CAP	1		10-60/64
8	E171-GF-9*	SPRING	1		10-60/64
9	370922-S	BALL, 1/4	1		10-60/64
10	E1ADDN-994612*	RETAINER, Oil Passage	1		10-60/64
11	87008-ES	SEAL, Oil Passage Retainer	1		10-60/64
12	116316-ES	PIN, 3/16 x 57/64	2		10-60/64
13	116316-ES	PIN, 3/16 x 57/64	2		10-60/64
14	E198-GF-9*	SPINDLE, Restrictor Control	1		10-60/64
15	114755-ES	CLIP, 1/4 x 1/2	1		10-50/64
16	E202-GF-9*	LEVER, Flow Control Valve Restr.	1		10-60/64
17	87033-S95	SEAL, Valve Retainer	1		10-60/64
18	E173-GF-9*	STOP, Control Restrictor	1		10-60/64
19	21447-ES8	BOLT, 7/16-14 x 1-1/2 (Hsg. to Ram Cyl.)	2	FTO-E	10-60/64
20	E80-WP-9	SEAL	1		57/64
21	113575-ES	SCREW, Oil Passage Plug	1		10-60/64
22		BOLT, 5/16-18-2-1/2 Hex (Hsg. to Ram Cyl.)	1		10-60/64
23	E172-GF-9RE	PLUNGER, .6670/.6672" Red	1		10-60/64
23	E172-GF-9YE	PLUNGER, .6672/.6674" Yellow	1		10-60/64
23	E172-GF-9BL	PLUNGER, .6674/.6676" Blue	1		10-60/64
23	E172-GF-9GR	PLUNGER, .6676/.6678" Green	1		10-60/64
23	E172-GF-9WH	PLUNGER, .6678/.6680" White	1		10-60/64
24	E69-WP-9	SPRING, Control Plunger	1		10-60/64
25	E1ADDN-994612*	RETAINER	1		10-60/64
26	87033-ES*	SEAL, 31/64 x 45/64 x 7/64	1		10-60/64
27		PIN, 3/16 x 1-1/8	1		10-60/64
28	E148-WP-9*	PLUG, Oil Passage	1		10-60/64
29	87008-ES	SEAL, Plug	1		10-60/64
-	E209-WP-9	SEAL, Plug	1		10-60/64
30	116316-ES	PIN, 3/16 x 57/64	1		10-60/64
31		BOLT, 7/16-14 x 1-3/8 Hex	2		10-60/64
32	E189-GF-9	GASKET, Valve to Cover	1		10-60/64
33	87010-S94	SEAL, 39/64 x 49/64 x 5/64	1		57/64
		* No Longer Serviced			

DEXTA

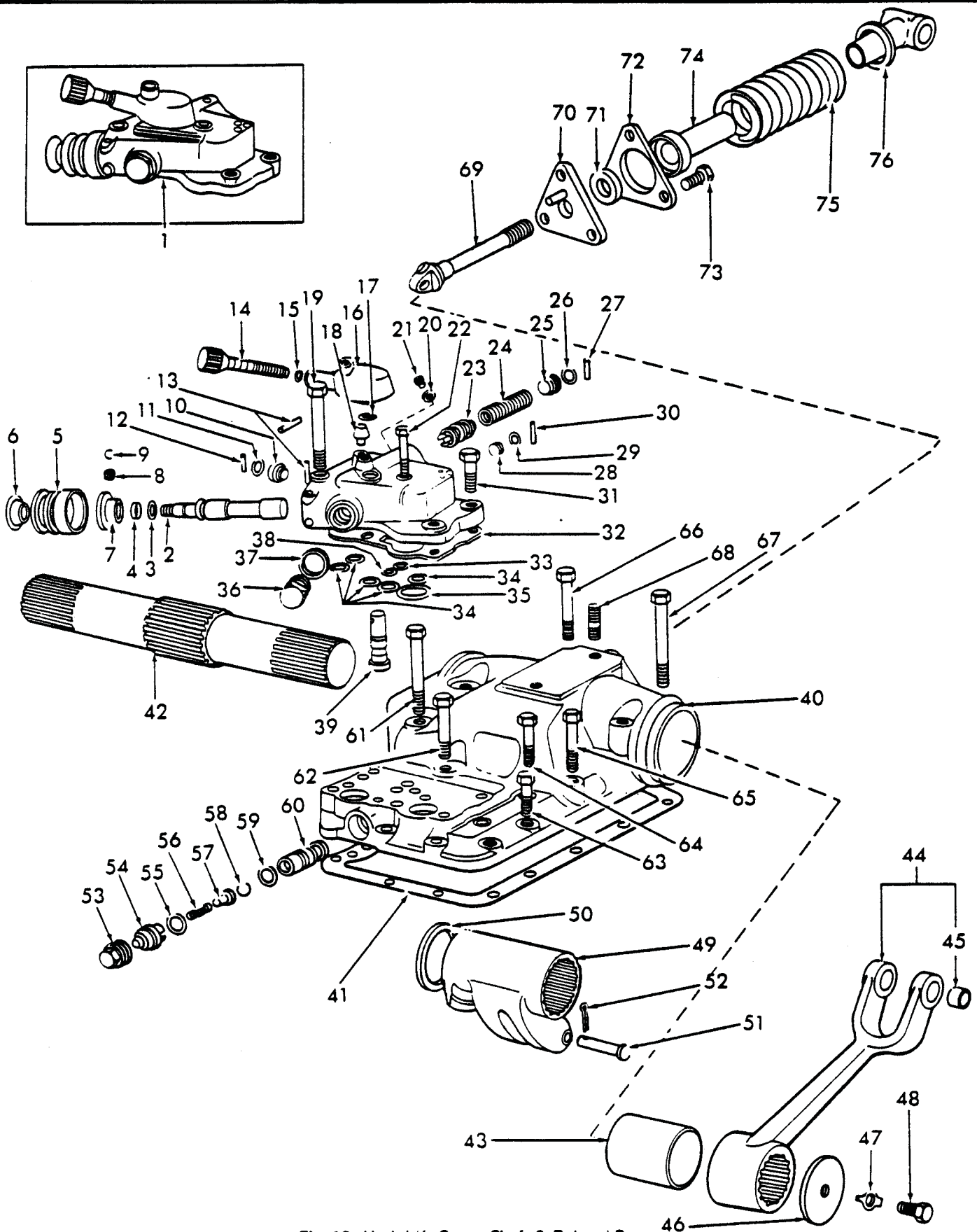


Fig. 10 Hyd. Lift Cover, Shaft & Related Parts

DEXTA

FIG.	PART NO.	PART NAME	QTY.	REMARKS	YEAR
10		<u>HYDRAULIC LIFT COVER, SHAFT & RELATED PARTS (CONT'D)</u>			
34	87034-S95	O-RING	5		57/64
35	87044-ES	SEAL, Housing to Cover	1		57/64
36	957E-994762	PLUG, Housing	1	FTO-E	57/64
37	E1ADDN-994573	SEAL, Housing Plug	1	FTO-E	57/64
38	87012-S94	SEAL	1		57/64
39	E188-GF-9*	RESTRICTOR, Control Valve	1		10-60/64
40	957E-501-B*	HOUSING, Ram Cyl. Cross Shaft	1		57/64
41	C5NN-502-A	GASKET, Housing	1		57/64
42	957E-544	SHAFT, Ram Cyl. Cross	1		57/64
43	9N-531	BUSHING, Cross Shaft	1		57/64
44	957E-994620-A	ARM ASSY., Cyl. Lifting Consists of Arm plus:	2		57/64
45	E27N-994609	BUSHING, Lift Arm	4		57/64
-	957E-535*	ROCKER, Linkage	1		57/64
46	957E-551	WASHER, Arm to Cross Shaft	2		57/64
47	957E-550	WASHER, Arm to Cross Shaft	2		57/64
48		BOLT, 1/2-20 x 1 Hex (Arm to Shaft)	2		57/64
49	957E-545-B	ARM, Ram to Cylinder	1	When Repl. Previous Arm-Supply (1) E117-EF-9 Washer	57/64
50	E117-GF-9	WASHER, Shaft Thrust	1		57/64
51		PIN, 5/16 x 2-1/8 Clevis	1		57/64
52		PIN, 1/8 x 1/2 Split	1		57/64
53	957E-832	PLUG, Check Valve	1		57/64
54	E30-GF-9	HOUSING, Valve Spring	1		57/64
55	87035-S95	SEAL, Spring Housing	1		57/64
56	957E-845	SPRING, Check Valve	1		57/64
57	957E-674	GUIDE, Spring	1		57/64
58	354069-S	BALL, Check Valve	1		57/64
59	87016-S95	SEAL, Valve Seat	1		57/64
60	957E-997*	SEAT, Check Valve	1		57/64
61		BOLT, 7/16-14 x 3-3/8 Hex Hd.	1		10-60/64
62		BOLT, 7/16-20 x 2-1/8 Hex Hd.	1		57/64
63	115819-ES8	BOLT, 7/16-14 x 1-1/8 Hex Hd.	1	FTO-E	1-59/64
64		BOLT, 7/16-20 x 1-3/4 Hex Hd.	3		57/64
65		BOLT, 7/16-14 x 1-1/2 Hex Hd.	4		57/64
66		BOLT, 7/16-14 x 2-1/2 Hex Hd.	2		57/64
67		BOLT, 7/16-14 x 3-3/8 Hex Hd.	4		57/64
68	88393-S8	STUD, Cover to Seat Spring	1		57/64
69	957E-541	SHAFT, Ram Cyl. Cross	1		57/64
70	957E-527	PLATE, H.P.L. Qualitrol	1		57/64
71	E9N-529	FELT, Qualitrol Spring Seat	1		57/64
72	957E-624	SUPPORT, Qualitrol Spring	1		57/64
73	115819-ES8	BOLT, 7/16-14 x 1-1/8 Hex Hd.	3	FTO-E	57/64
74	957E-525	SEAT, Qualitrol Spring	1		57/64
75	C5NN-547-B	SPRING, Qualitrol	1		57/64
76	957E-546	YOKE, Control Spring	1		57/64

* No Longer Serviced

DEXTA

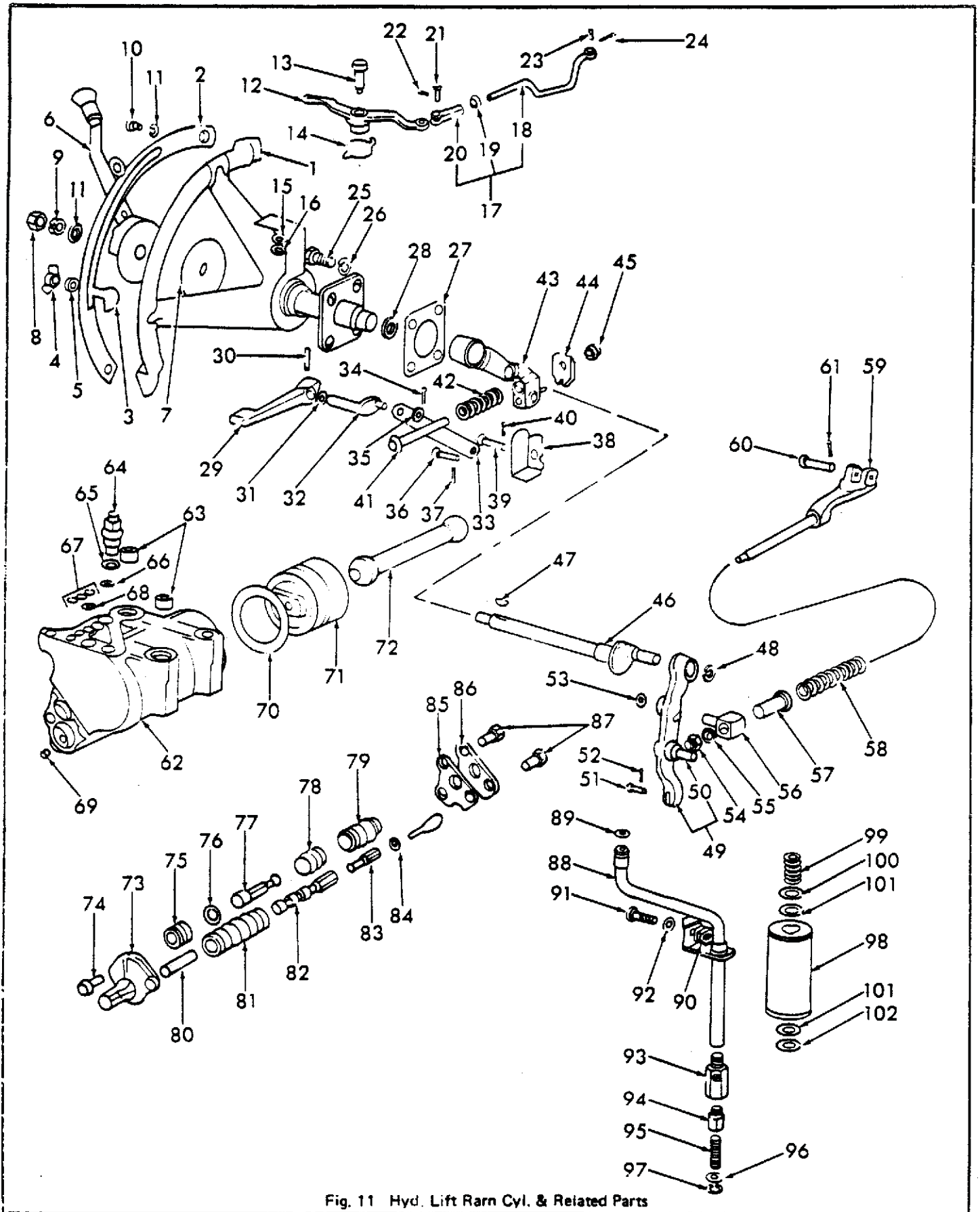


Fig. 11 Hyd. Lift Ram Cyl. & Related Parts

DEXTA

FIG.	PART NO.	PART NAME	QTY.	REMARKS	YEAR
11		<u>HYDRAULIC LIFT, RAM CYLINDER</u> & RELATED PARTS			
1	957E-515-D	QUADRANT ASSY.	1	Repl. 957E-515-A	57/64
-	957E-N515-A*	DECAL (H.P.L. Quadrant)	1	Domestic (w/H.P.L.)	4-64/12-64
-	957E-N516-A*	DECAL (Preset Linkage)	1	Domestic (w/H.P.L.)	4-64/12-64
2	957E-499-C*	RETAINER, Control Lever	1		57/11-59
2	957E-499-B*	RETAINER, Control Lever	1	w/957E-515-B, D	12-59/64
3	C7NN-A953-C	STOP	2	Repl. 957E-521-A	57/64
4	350890-ES36	NUT, 1/4-28 Wing	2		57/64
5		WASHER, 1/4 Flat	2		57/64
-	957E-514-A	LEVER ASSY.	1		57/9-60
6	E174-GF-9	LEVER & FRICTION PLATE ASSY.	1	FTO-E Except w/D.A.R.	10-60/64
7	E9N-518	DISC, Control Friction	1	FTO-E	57/64
7	C5NN-518-B	DISC, Control Friction	1	U.S.	57/64
8	351047-S7*	NUT	1		57/64
9	957E-522*	WASHER, Lock	1		57/64
10		BOLT, 5/16-24 x 3/8 Hex. Hd.	2		57/64
11		WASHER, 5/16 Flat	2		57/64
12	E210-GF-9	LEVER, Restrictor Crank	1	FTO-E Except w/D.A.R.	10-60/64
13	E185-GF-9*	PIVOT, Crank Lever	1	Except w/D.A.R.	10-60/64
14	E186-GF-9*	SPRING, Crank Lever Return	1	Except w/D.A.R.	10-60/64
15		WASHER, 1/4 Lock	1		10-60/64
16		NUT, Hex 1/4-28	1		10-60/64
17	E208-GF-9*	ROD ASSY., Restrictor Conn. Consists of:	1		10-60/64
18	E207-GF-9*	ROD, Connecting	1		10-60/64
19		NUT, Hex 1/4-28	1		10-60/5-63
19		NUT, Hex 1/4-20	1		6-63/64
20		CLEVIS, 1/4-28 x 2	1		10-60/64
21		PIN, 1/4 x 25/32 Clevis	1		10-60/64
22		PIN, 1/16 x 1/2 Split	1		10-60/64
23	116353-ES7*	PIN, Rod to Lever	1		10-60/64
24		PIN, 1/16 x 3/4 Split	1		10-60/64
25		BOLT, 7/16-14 x 1 Hex Hd.	4		57/64
26		WASHER, 7/16 Lock	4		57/64
27	9N-532	GASKET, Quadrant to Cover	1		57/3-61
27	957E-532	GASKET, Quadrant to Cover	1		4-61/64
28	351502-S	WASHER, 5/8 x 1 Flat-Special	1		57/64
29	957E-686*	LEVER, Control Selector	1		57/64
30	116316-ES	PIN, 3/16 x 57/64 Selector Arm	1		10-58/64
-	116332-ES7	PIN, 3/16 x 3/4 Selector Arm	1		57/9-58
31	B7008-ES	SEAL, Selector Arm	1		11-60/64
32	957E-693*	ARM ASSY., Selector	1		57/64
33	957E-690*	LINK, Position Control	1		57/64
34		PIN, 1/16 x 1/2 Split	1		57/64
35		WASHER, 1/4 Flat	1		57/64
36		PIN, 1/4 x 1-5/16 Clevis	1		57/64
37		PIN, 1/16 x 1/2 Split	1		57/64
		* No Longer Serviced			

DEXTA

FIG.	PART NO.	PART NAME	QTY	REMARKS	YEAR
11		<u>HYDRAULIC LIFT, RAM CYLINDER</u> <u>& RELATED PARTS (CONT'D)</u>			
38	957E-685*	CAM, Control	1		57/64
39		PIN, 1/4 x 1-3/16 Clevis	1		57/64
40		PIN, 1/16 x 1/2 Split	1		57/64
41	957E-683*	ROD, Control	1		57/64
42	957E-684*	SPRING, Position Control	1		57/64
43	957E-680	ARM ASSY., Control	1		57/64
44	957E-689	PLATE, Cam	1		57/64
45		NUT, 3/8-24 Hex Lock	1		57/64
46	957E-517	SHAFT, Control Lever	1		57/64
-		NUT, 3/8-24 Shaft to Lever	1		57/2-61
-	351385-S8*	WASHER, Shaft to Lever	1		57/2-61
-		PIN, 3/32 x 1 Split, Shaft to Lever	1		57/2-61
47		KEY, 5/32 x 5/8 Woodruff	1		57/64
48	114756-ES	CIRCLIP, Shaft to Lever	1		2-61/64
49	957E-504	LEVER ASSY., Control Consists of Lever plus:	1		57/64
50	73376-S18	PIN, 3/8 x 1-3/4 Dowel	1		57/64
51	73869-S36	PIN, Clevis	1		57/64
52		PIN, 1/16 x 1/2 Split	1		57/64
53	97515-S	SNAP RING	1		57/64
54		NUT, 5/16-24 Hex Lock	1		57/64
55		WASHER, 5/16 Flat	1		57/64
56	957E-692	SWIVEL, Qualitrol	1		57/64
57	957E-691	BUSHING	1		57/64
58	957E-539	SPRING, Fork Retraction	1		57/64
59	957E-540	LINK, Control Connecting	1		57/64
60	352594-S	PIN, Clevis	1		57/64
61		PIN, 1/8 x 5/8 Split	1		57/64
-	C5NN-477-B	CYLINDER, Valve Assy.	1	Repl. 957E-477-B #	57/64
62	C9NN-478-F	CYLINDER ASSY.			57/64
63	957E-837	RING, Cylinder Dowel	2		57/64
64	957E-984-B	VALVE ASSY., Safety	1		57/64
65	O1A-12410	GASKET	1	U.S.	57/64
65	52-12410	GASKET	1	FTO-E	57/64
66	87010-S94*	SEAL	1		57/64
67	87006-S94*	SEAL	3		57/64
68	87016-ES*	SEAL	1		57/64
69	87707-S*	PLUG, Cylinder	1		57/10-60
70	E11-GF-9	GLAND, Ram Piston	1	For 957E-477-B	57/64
-	87111-S95	O-RING, Piston	1	For C5NN-477-B	57/64
-	NCA-473-A	RING, Piston Back-Up	1	For C5NN-477-B	57/64
71	C5NN-530-B	PISTON, Ram	1	Repl. 957E-530 #	57/64
-	D1NN-473-C*	RING, Hyd. Lift Piston Seal		For C5NN-530-B	57/64
72	957E-526	ROD, Piston Connecting	1		57/64
73	E197-GF-9*	PLATE ASSY., Retainer	1		10-60/64
74		BOLT, 3/8-16 x 3/4 Hex Hd.	3		57/64
		# When Repl. 957E-477-B w/C5NN-477-B Also need (1) FOO-1566, (1) C5NN-848-B, (1) C5NN-920-D, (3) Bolt 3/8-16 x 3/4			
		* No Longer Serviced			

DEXTA

FIG.	PART NO.	PART NAME	QTY.	REMARKS	YEAR
11		<u>HYDRAULIC LIFT, RAM CYLINDER</u> <u>& RELATED PARTS (CONT'D)</u>			
75	C5NN-916-A	PLUG, Unload Valve (White) 1.002/1.004 Dia. (25.405/25.410 mm)	1		57/64
75	C5NN-916-B	(Blue) 1.0004/1.0006 (25.410/25.415 mm)	1		57/64
75	C5NN-916-C	(Yellow) 1.0006/1.0008 (25.415/25.420 mm)	1		57/64
75	C5NN-916-D	(Green) 1.0008/1.0010 (25.420/25.425 mm)	1		57/64
75	C5NN-916-E	(Orange) 1.0010/1.0012 (25.425/25.430 mm)	1		57/64
75	C5NN-916-F	(Blue/White) 1.0000/1.0002 (25.400/25.405 mm)	1		57/64
75	C5NN-916-G	(Green/White) 2.0012/1.0014 (25.430/25.435 mm)	1		57/64
75	C5NN-916-H	(Red/White) 1.0014/1.0015 (25.435/25.438 mm)	1		57/64
76	87035-S95	O-RING	1		57/64
77	C9NN-925-A	VALVE, Unload	1		57/64
78		BUSH/BUSHING, Unload Valve Front			57/64
78	957E-440-F	(Blue/White) 1.000/1.0002 (25.400/25.405 mm)	AR	(U.S.)	57/64
78	C7NN-440-F	(Blue/White) 1.0000/1.0002 (25.400/25.405 mm)	AR	U.K.-Antwerp	57/64
78	C7NN-440-A	(White) 1.0002/1.0004 (25.405/25.410 mm)	1		57/64
78	C7NN-440-B	(Blue) 1.0004/1.0006 (25.410/25.415 mm)	AR		57/64
78	C7NN-440-C	(Yellow) 1.0006/1.0008 (25.415/25.420 mm)	AR		57/64
78	C7NN-440-D	(Green) 1.0008/1.0010 (25.420/25.425 mm)	AR	Repl. 957E-440-D	57/64
78	C7NN-440-E	(Orange) 1.0010/1.0012 (25.425/25.430 mm)	AR		57/64
78	957E-440-G	(Green/White) 1.0012/1.0014 (25.430/25.435 mm)	AR	(U.S.)	57/64
78	C7NN-440-G	(Green/White) 1.0012/1.0014 (25.430/25.435 mm)	AR	U.K.-Antwerp	57/64
78	C7NN-440-H	(Red/White) 1.0014/1.0016 (25.435/25.440 mm)	AR	Repl. 957E-440-H	57/64
79		BUSH/BUSHING, Unload Valve Rear			57/64
79	957E-482-F	(Blue/White) 1.0000/1.0002 (25.400/25.405 mm)	AR		57/64
79	957E-482-A	(White) 1.0002/1.0004 (25.405/25.410 mm)	1		57/64
79	957E-482-B	(Blue) 1.0004/1.0006 (25.410/25.415 mm)	AR		57/64
79	957E-482-C	(Yellow) 1.0006/1.0008 (25.415/25.420 mm)	AR		57/64
79	957E-482-D	(Green) 1.0008/1.0010 (25.420/25.425 mm)	AR		57/64
79	957E-482-E	(Orange) 1.0010/1.0012 (25.425/25.430 mm)	AR		57/64
79	957E-482-G	(Green/White) 1.0012/1.0014 (25.430/25.435 mm)	AR		57/64
79	957E-482-H	(Red/White) 1.0014/1.0016 (25.435/25.440 mm)	AR		57/64
80	957E-924-A*	SPRING, Control Valve	1		57/10-60
80	957-924-B*	SPRING, Control Valve	1		11-60/64
81		BUSH/BUSHING, Control Valve			
81	E1A-DDN-481-A	(Blue/White) 1.0000/1.0002 (25.400/25.405 mm)	1		10-60/64
81	957E-481-H*	(Blue/White) 1.0000/1.0002 (25.400/25.405 mm)	1		57/9-60
81	957E-481-B	(Blue) 1.0004/1.0006 (25.410/25.415 mm)	1		57/9-60
81	C7NN-481-E	(Blue) 1.0004/1.0006 (25.410/25.415 mm)	1		10-60/64
81	957E-481-A*	(White) 1.0002/1.0004 (25.405/25.410 mm)	1		57/9-60
81	C7NN-481-D	(White) 1.0002/1.0004 (25.405/25.410 mm)	1		10-60/64
81	957E-481-C	(Yellow) 1.0006/1.0008 (25.415/25.420 mm)	1		57/9-60
81	C7NN-481-F	(Yellow) 1.0006/1.0008 (25.415/25.420 mm)	1		10-60/64
81	957E-481-D*	(Green) 1.0008/1.0010 (25.420/25.425 mm)	1		57/9-60
81	C7NN-481-G	(Green) 1.0008/1.0010 (25.420/25.425 mm)	1		10-60/64
81	957E-481-E*	(Orange) 1.0010/1.0012 (25.425/25.430 mm)	1		57/9-60
81	E1ADDN-481-F	(Orange) 1.0010/1.0012 (25.425/25.430 mm)	1		10-60/64
81	957E-481-F*	(Green/White) 1.0012/1.0014 (25.430/25.435 mm)	1		57/9-60
81	C7NN-481-J	(Green/White) 1.0012/1.0014 (25.430/25.435 mm)	1		10-60/64
81	957E-481-G*	(Red/White) 1.0014/1.0016 (25.435/25.440 mm)	1		57/9-60
81	C7NN-481-K	(Red/White) 1.0014/1.0016 (25.435/25.440 mm)	1		10-60/64
		# When Repl. 957E-530 with C5NN-530-B Also need (1) NCA-473-A, (1) NCA-533-A			
		* No Longer Serviced			

DEXTA

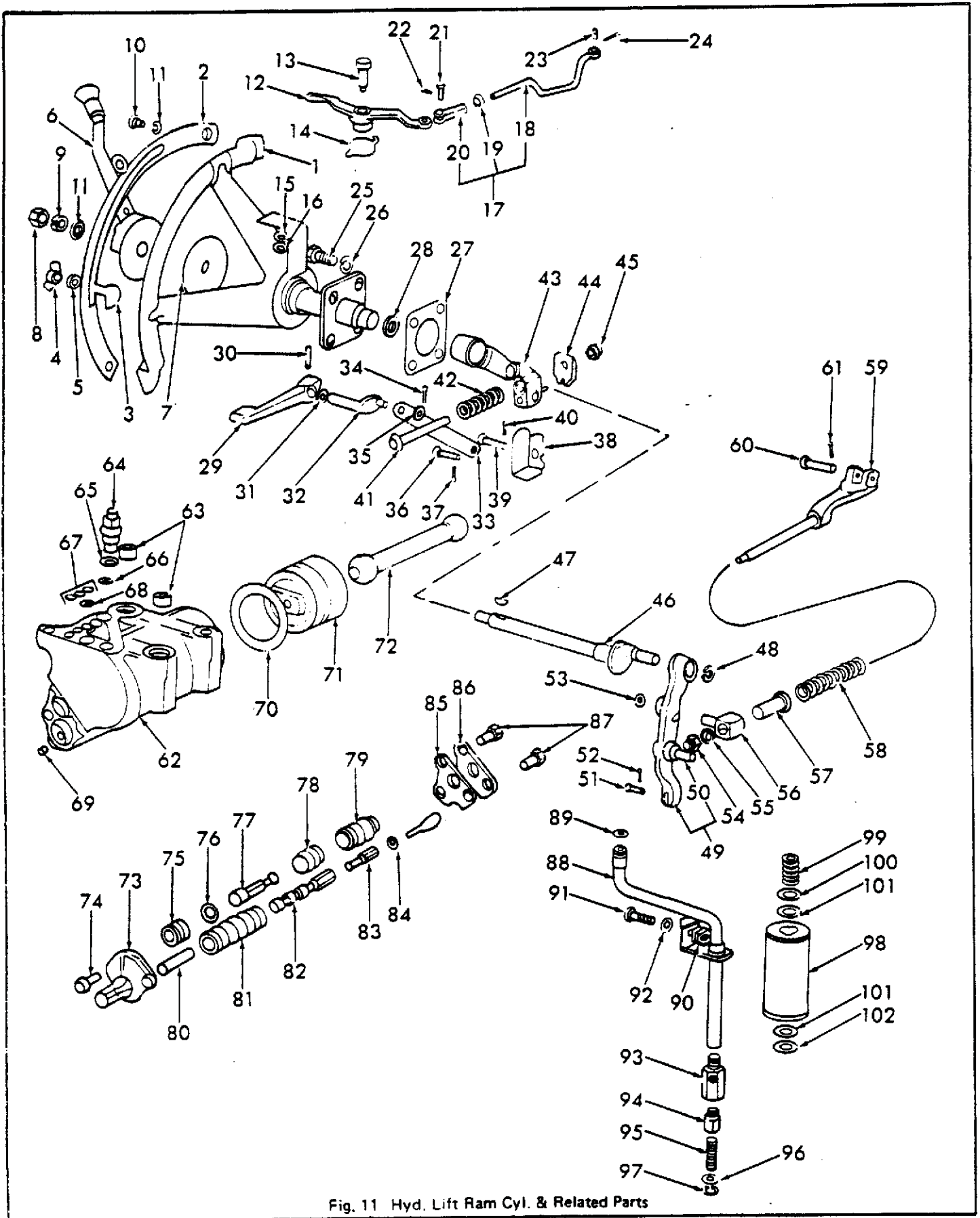
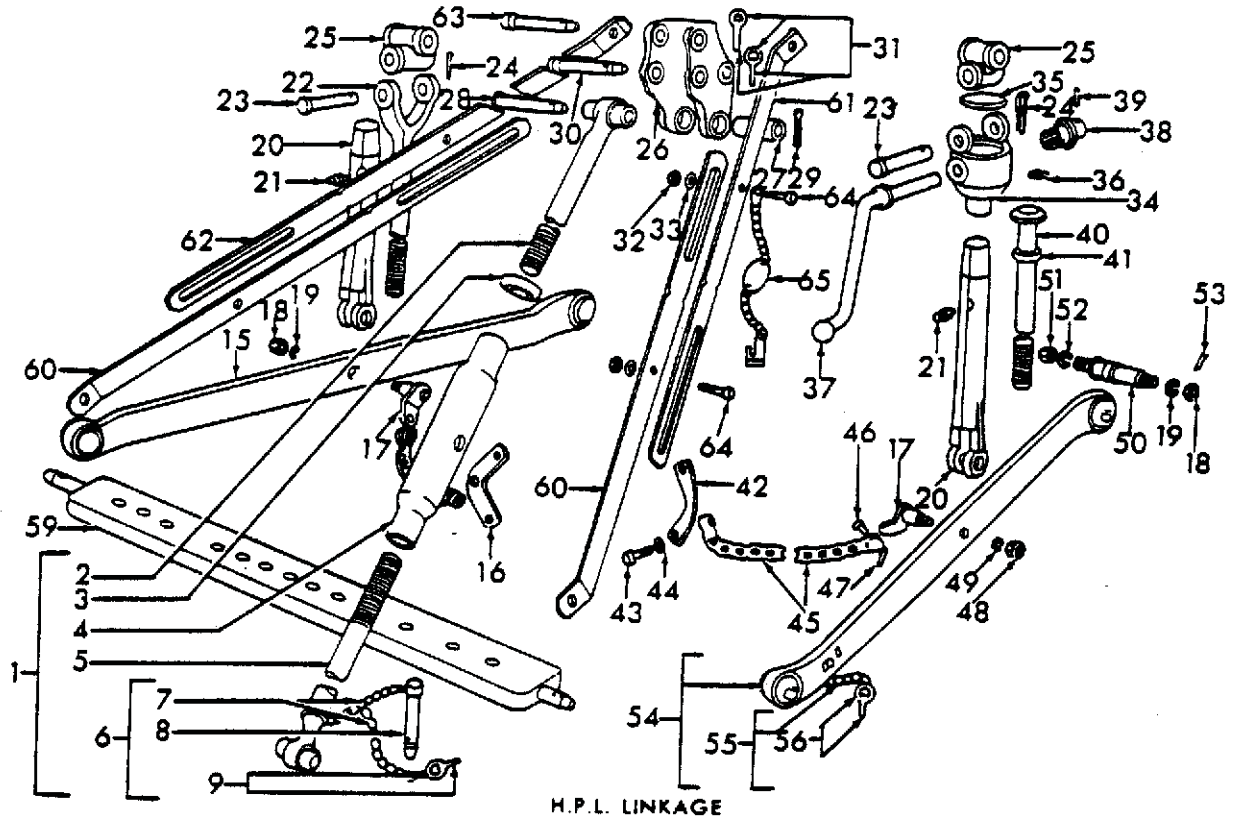


Fig. 11 Hyd. Lift Ram Cyl. & Related Parts

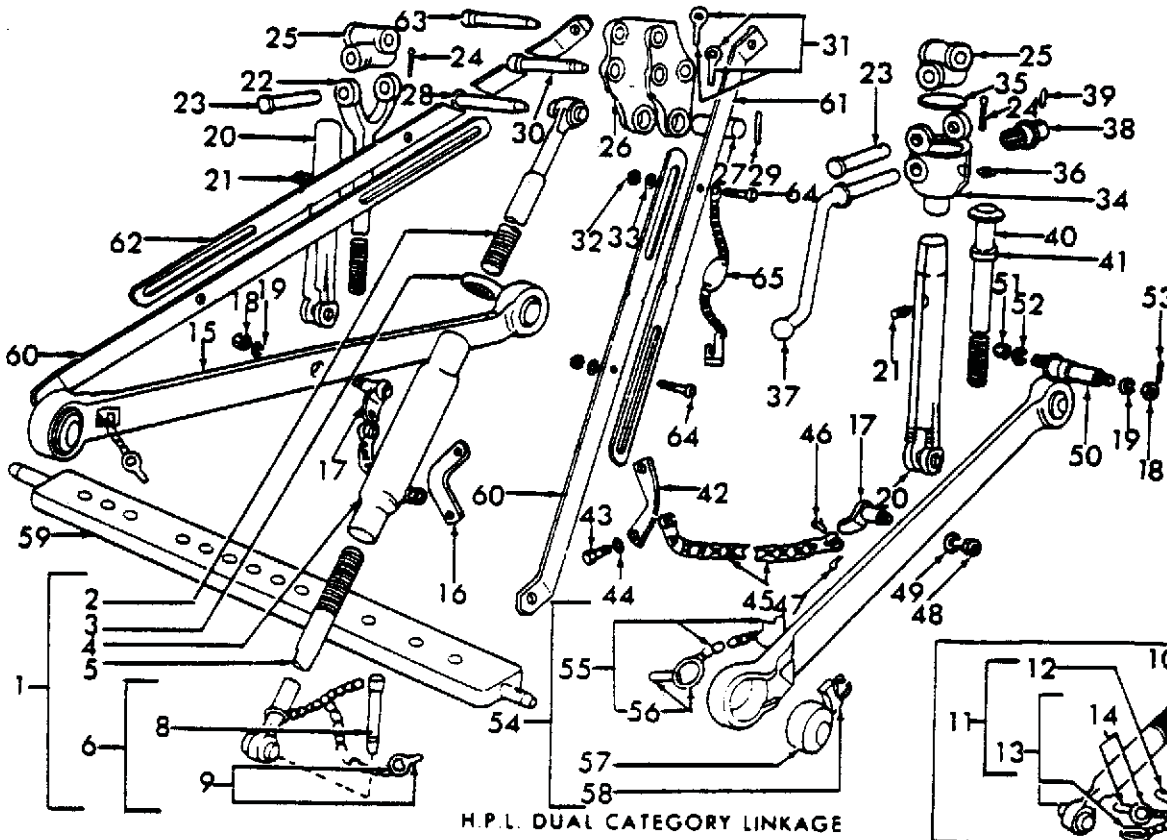
DEXTA

FIG.	PART NO.	PART NAME	QTY.	REMARKS	YEAR
11		<u>HYDRAULIC LIFT, RAM CYLINDER</u> <u>& RELATED PARTS (CONT'D)</u>			
82	957E-488-A*	VALVE (H.P.L. Control) & SLEEVE ASSY.	1	.5917/.5919" White	11-57/60-10
82	957E-488-T*	VALVE (H.P.L. Control) & SLEEVE ASSY.	1	.5917/.5919" White	10-60/64
82	957E-488-B*	VALVE (H.P.L. Control) & SLEEVE ASSY.	1	.5919/.5921" Blue	11-57/60-10
82	957E-488-U	VALVE (H.P.L. Control) & SLEEVE ASSY.	1	.5919/.5921" Blue	10-60/64
82	957E-488-C*	VALVE (H.P.L. Control) & SLEEVE ASSY.	1	.5921/.5923" Yellow	11-57/60-10
82	957E-488-V*	VALVE (H.P.L. Control) & SLEEVE ASSY.	1	.5921/.5923"	10-60/64
82	957E-488-D*	VALVE (H.P.L. Control) & SLEEVE ASSY.	1	.5925/.5926" Green	11-57/60-10
82	957E-488-W*	VALVE (H.P.L. Control) & SLEEVE ASSY.	1	.5925/.5926" Green	10-60/64
82	957E-488-E*	VALVE (H.P.L. Control) & SLEEVE ASSY.	1	.5927/.5928" Orange	10-60/64
82	957E-488-X*	VALVE (H.P.L. Control) & SLEEVE ASSY.	1	.5927/.5928" Orange	10-60/64
82		VALVE (H.P.L. Control) & SLEEVE			
82	C7NN-488-F	.5917/.5919" White	1	For C5NN-478-F	57/64
82	C7NN-488-H	.5919/.5921" Blue	1	For C5NN-478-F	57/64
82	C7NN-488-K	.5921/.5923" Yellow	1	For C5NN-478-F	57/64
82	C7NN-488-N	.5925/.5926" Green	1	For C5NN-478-F	57/64
82	C7NN-488-R	.5927/.5928" Orange	1	For C5NN-478-F	57/64
83	C5NN-914-B	TURNBUCKLE, Valve	1		57/64
83A	957E-912	LINK, Valve	1		57/64
84		NUT, 1/2-20 Hex Check	1		57/64
85	957E-901-A*	GASKET, Retaining Plate	1		57/9-60
85	957E-901-B*	GASKET, Retaining Plate	1		10-60/64
86	E1A-DDN-921	PLATE, Valve Retaining-Rear	1		57/64
87		BOLT, 3/8-16 x 3/4 Hex Hd.	3		57/64
-	957E-896*	GASKET, Plate Bolt	1		57/10-60
88	E76-GF-9*	PIPE ASSY., Pipe	1		57/64
89	87010-S94	O-RING	1		57/64
90	117630-ES	NUT, 5/16-24 Simmonds Spire	1		57/64
91		BOLT, 5/16-24 x 1 Hex Hd.	1		57/64
92	E84-GF-9	WASHER	1		57/64
93	C9NN-960-A	BODY, Pressure Valve	1		57/64
94	957E-982	VALVE, Pressure	1		57/64
95	957E-962	SPRING, Pressure	1		57/64
96	E73-GF-9	PLATE, Valve	1		57/64
97	97609-S2	RETAINER, Pressure Valve	1		57/64
98	E68-GF-9	ELEMENT, Return Filter	1		57/64
99	E81-GF-9*	SPRING, Return Pipe	1		57/64
100	E83-GF-9	WASHER, Pipe Seal	1		57/64
101	E82-GF-9	SEAL, Return Pipe	2		57/64
102		WASHER, 1/2 Flat	1		57/64
		* No Longer Serviced			

DEXTA



H.P.L. LINKAGE



H.P.L. DUAL CATEGORY LINKAGE

Fig. 12 Hyd. Lift Linkage

DEXTA

FIG.	PART NO.	PART NAME	QTY	REMARKS	YEAR
12		<u>HYDRAULIC LIFT LINKAGE</u>			
1	957E-576-C	LINK ASSY., Upper (FTO-E)	1	L/Dual Category	57/64
1	960E-576*	LINK ASSY., Upper	1	W/Dual Category	12-62/64
		Consists of:			
2	957E-666-C	LINK AND BALL ASSY., Front	1	L/Dual Category	57/64
2	960E-995266	LINK AND BALL ASSY., Upper-R.H.	1	W/Dual Category FTO-E	12-62/64
3	117664-ES	NUT, 1"-8 Hex Lock	1	L/Dual Category	57/64
3	E27N-995271*	NUT, Upper Link	1	W/Dual Category	12-62/64
4	957E-708-B	BODY, Upper Link	1	L/Dual Category	57/64
4	E27N-995265	BODY, Upper Link	1	W/Dual Category FTO-E	12-62/64
5	957E-665-C	LINK & BALL ASSY., Rear	1	L/Dual Category	57/64
5	960E-995267*	LINK & BALL ASSY., Upper-L.H.	1	W/Dual Category	12-62/64
6	957E-995285*	PIN ASSY., Chain & Linch	1	L/Dual Category	57/64
6	E1ADDN-995264*	PIN ASSY., Chain & Linch (Cat. 1)	1	W/Dual Category	12-62/64
		Consists of:			
7	E97-QF-9*	Chain	1	L/Dual Category	57/64
8	957E-560	PIN, Link to Rocker	1		57/64
9	E27N-995216	PIN, Ring Assy.-Linch	1		57/64
10	E144-QF-9*	LINK & SHEATH ASSY., Upper	1	W/Dual Category	12-62/64
11	E27N-995285	CHAIN ASSY. (FTO-E)	1	For E144-QF-9	12-62/64
		Consists of:			
12	C5NN-F847-A	PIN, Rear	1		12-62/64
13	E27N-995286*	CLIP & CHAIN ASSY., Pin	1		12-62/64
		Consists of:			
14	E27N-995216	PIN & RING ASSY., Linch	1		12-62/64
15	957E-556	LINK ASSY., Lower Lift, L.H.	1	L/Dual Category	57/64
15	960E-556	LINK ASSY., Lower Lift, L.H.	1	W/Dual Category FTO-E	12-62/64
		Consists of Link plus:			
-	E1ADDN995225B	PIN & CHAIN ASSY.	1	FTO-E	57/64
-	E27N-995279	RING	1		57/64
16	957E-597	BRACKET, Chain Anchor-L.H.	1		57/64
17	957E-660	EYELET ASSY., Check Chain	2		57/64
18		NUT, 5/8-18 Thin Slotted	2		57/64
19		WASHER, 5/8 Flat	2		57/64
20	957E-585	FORK, Levelling & Lifting	2		57/64
21	353043-ES7/8B	FITTING, Lube	2		57/64
22	9573-673	ROD ASSY.	1		57/64
23	E27N-995282	PIN, Lifting Rod & Box Knuckle	2	FTO-E	57/64
23	9N-595	PIN, Lifting Rod & Box Knuckle	2	U.S.	57/64
24		PIN, 1/8 x 1 Cotter			57/64
25	957E-566	KNUCKLE, Lift Rod & Level Box	2		57/64
26	957E-535*	ROCKER, Linkage	1		57/64
27	E66-GF-9	BUSHING, Rocker	1		57/64
28	957E-560	PIN, Link to Rocker	1		57/64
29		PIN, 5/32 x 1 Cotter	1		57/64
30	352625-S8	PIN, 3/4 x 3.14	2		57/64
31	E27N-995216	PIN & RING ASSY.	2		57/64
32		NUT, 7/16 Hex	2		57/64
33		WASHER, 7/16 Flat	2		57/64
		* No Longer Serviced			

DEXTA

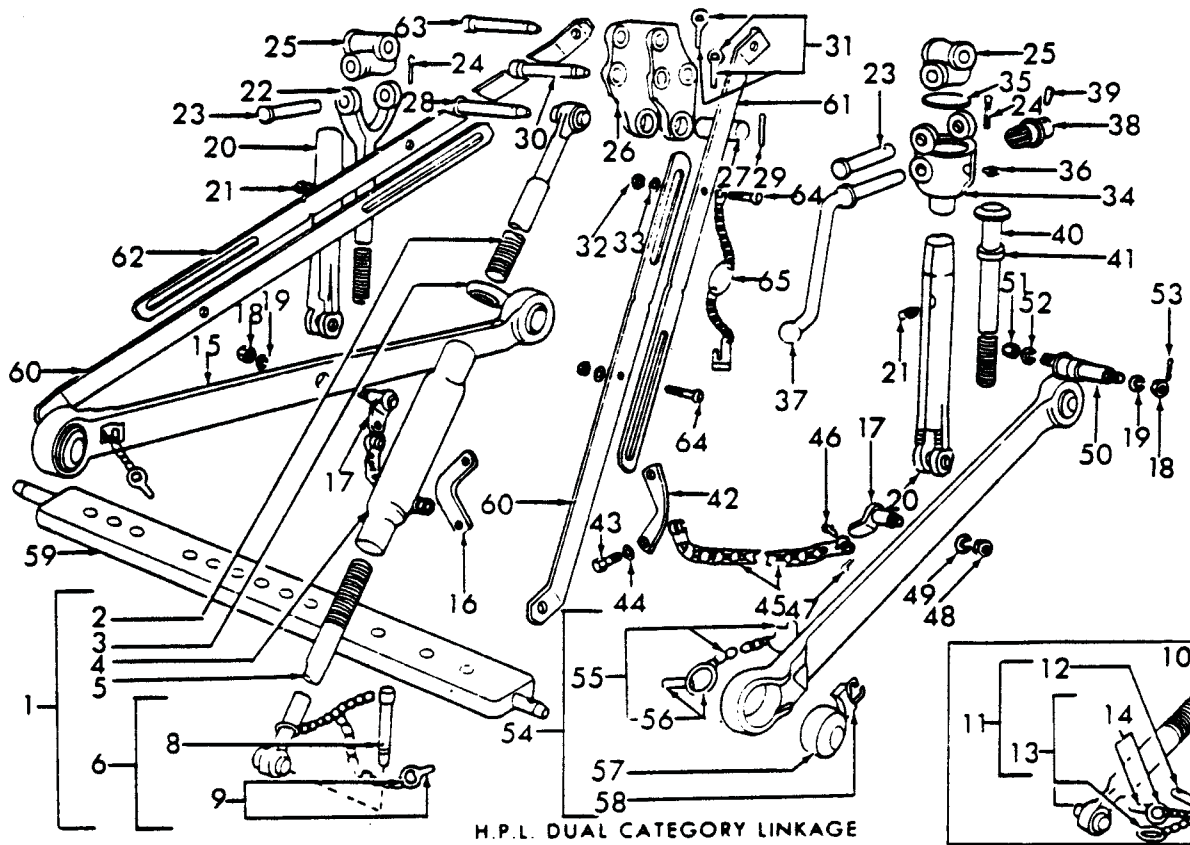
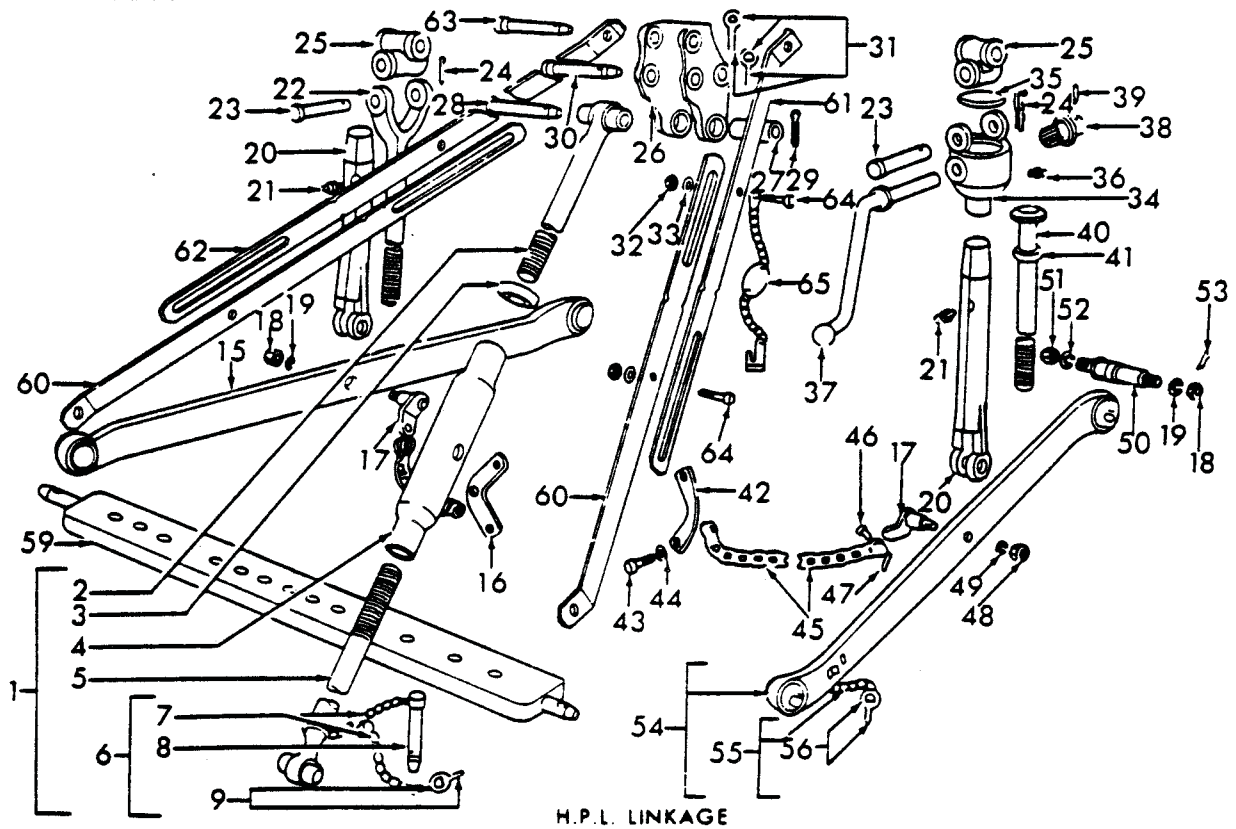


Fig. 12 Hyd. Lift Linkage

DEXTA

FIG.	PART NO.	PART NAME	QTY.	REMARKS	YEAR
12		<u>HYDRAULIC LIFT LINKAGE (CONT'D)</u>			
34	957E-565*	BOX, Leveling	1		57/64
35	74177-S	PLUG, 1-3/4 Expansion	1		57/64
36	384677-S8	FITTING, Lube-Leveling Box	1		12-61/64
37	957E-594	LEVER, Levelling Box	1		57/64
38	957E-568	GEAR, Levelling Box	1		57/64
39	351963-S*	RIVET, Gear Retaining	1		57/64
40	957E-579	SHAFT, Levelling Box	1		57/64
41	957E-554-B	BEARING, Shaft	1		57/64
42	957E-596	BRACKET, Anchor-R.H.	1		57/64
43	21447-ES7/8	BOLT, 7/16-14 x 1-1/2	4	FTO-E	57/64
44		WASHER, 7/16 Lock	4		57/64
45	960E-598*	CHAIN ASSY., Check Link	2		57/64
46	73949-S2	PIN, 3/8 x 1-3/8 Clevis	4		57/64
47		PIN, 1/8 x 3/4 Cotter	4		57/64
48	351090-ES2	NUT, Check Chain to Lift Link	2		57/64
49	351428-S8	WASH, Chain & Link Nut	2		57/64
50	957E-563	SHAFT, Lower Link Support	2		57/64
51		NUT, 3/4-16 Hex	2		57/64
52	118318-ES	WASHER, 25/32 x 1.62 x 3/16 Flat	2		57/64
53		PIN, 5/32 x 1-1/4	2		57/64
54	957E-555	LINK ASSY., Lower Lift-R.H.	1	L/Dual Category	57/64
54	960E-555	LINK ASSY., Lower Lift-R.H.	1	W/Dual Category	12-62/64
55	E1ADDN-995225B	Consists of Link plus: PIN & CHAIN ASSY., Linch	1		57/64
56	E27N-995216	Consists of: PIN & RING ASSY.			57/64
-	E27N-995279	RING, Linch Pin	1		57/64
57	E1ADDN-995233	BALL, Lower Link (Category 1)	2	W/Dual Category	12-62/64
57	C5NN-357-A*	BALL, Lower Link (Category 2)	2	W/Dual Category	12-62/64
58	E1ADDN-995242	RETAINER & SPRING ASSY.	2	W/Dual Category	12-62/64
-	957E-574	PIN, Drawbar Link	1	FTO-E	57/64
-	960E-578	CHAIN ASSY., Drawbar Check Link	1	FTO-E	12-62/64
-	957E-689	PLATE, Drawbar Control Cam	1		57/64
-	E5-WL-9*	KIT, Drawbar	1	Accessory	57/64
59	9N-5182-A	DRAWBAR	1	Repl. 957E-5182	57/64
60	957E-4375-C	STAY, Drawbar Lower	2	FTO-E	57/64
61	957E-5374-C*	STAY, Drawbar Upper R.H.	1		57/64
62	E563-T-9	STAY, Drawbar Upper L.H.	1	FTO-E	57/64
63	E381-T-9	PIN, 5-5/8 x 3/4	1		57/64
64		BOLT, 7/16-20 x 1-1/4 Hex Hd.	4		57/64
-		WASHER, 7/16 Flat	4		57/64
-		NUT, 7/16-20 Hex	4		57/64
65	957E-5370*	CHAIN ASSY., Safety	1		57/64

* No Longer Serviced

DEXTA

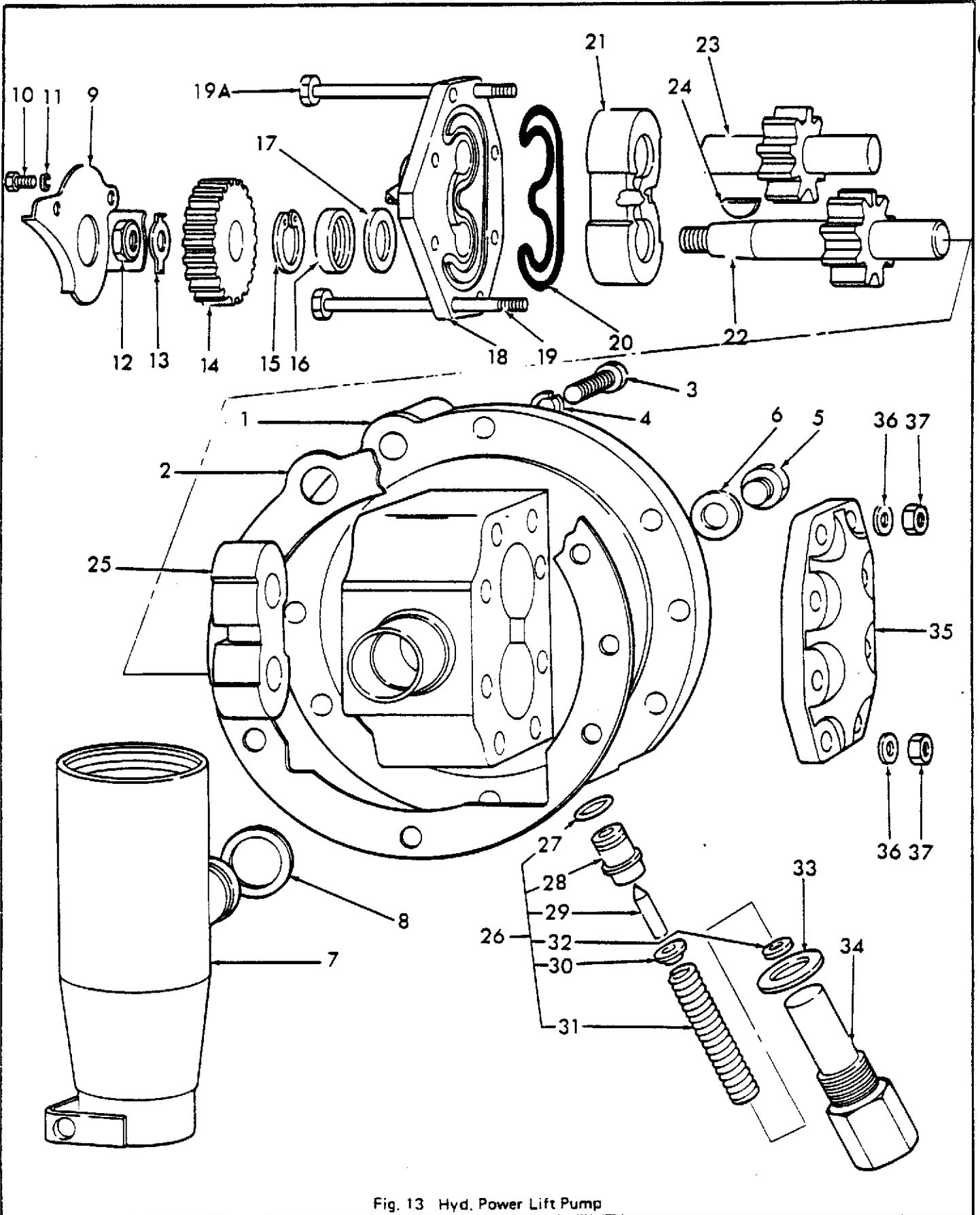


Fig. 13 Hyd. Power Lift Pump

DEXTA

FIG.	PART NO.	PART NAME	QTY	REMARKS	YEAR
13		<u>HYDRAULIC POWER LIFT PUMP</u>			
-	957E-994630-D	PUMP ASSY., H.P.L.	1		57/64
1	957E-994677	BODY, Pump	1	FTO-E	57/64
2	E51-GF-9	GASKET, Pump to Rear Housing	1		57/64
3		BOLT, 7/16-14 x 1-3/8 Hex	6		57/64
4		WASHER, 7/16 Lock	6		57/64
5	E101-GF-9	PLUG, Service Tapping	1		57/64
6	E106-GF-9	SEAL, Plug	1		57/64
7	957E-995017	FILTER ASSY., Pump	1		57/64
8	87052-ES	SEAL, Oil Passage	1		57/64
9	E91-GF-9*	SHROUD, Pump Gear	1		57/64
10		BOLT, 1/4-20 x 3/4 Hex	2		57/64
11		WASHER, 1/4 Lock	2		57/64
12		NUT, 7/16-20 Lock	1		57/64
13	957E-994633	WASHER, Gear Retaining-Tab	1		57/64
14	957E-908*	GEAR, Pump Driven	1		57/64
15	E98-GF-9	CIRCLIP, Drive Shaft Seal	1		57/64
16	E97-GF-9	SEAL, Drive Shaft	1		57/64
17	116046-ES	WASHER, 25/32 I.D. x 1-1/8 O.D. x 1/32	1		57/64
18	957E-994630-D	PLATE, Pump Cover-Front	1		57/64
19	E95-GF-9*	BOLT, Cover Plate	6		57/64
19A	E96-GF-9*	BOLT, Cover Plate	2		57/64
20	116513-ES	SEAL, 4-3/16 I.D. x 4-25/64 O.D. x 7/64	2		57/3-63
20	C5NN-F844-A	SEAL, Pump Cover	2		4-63/64
21	957E-994667-C	BEARING, Pump	1		57/64
22	957E-994683	GEAR, Pump Pressure Drive	1		57/64
23	957E-994684*	GEAR, Pump Pressure Driven	1		57/64
24	74174-ES	KEY, Gear Retaining 1/8 x 5/8	1		57/64
25	957E-994667-C	BEARING, Pump	1		57/64
26	957E-638-C	VALVE ASSY., Gear Unloading Consists of:	1	Repl. 957E-638-B	57/64
27	87033-S95	SEAL, Valve Seat	1		57/64
28	957E-8891	SEAT, Valve	1		57/64
29	957E-994601-B*	VALVE, Gear Unloading	1		57/3-62
29	957E-994601-C*	VALVE, Gear Unloading	1		4-62/64
30	957E-906-A*	SEAT, Unloading Valve	1	FTO-E	2-60/3-63
30	957E-906-B	SEAT, Unloading Valve	1		4-63/64
31	957E-994717-B*	SPRING, Valve	1		11-57/4-60
31	957E-994717-C*	SPRING, Valve	1	w/957E-638-B	5-60/4-63
31	957E-994717-D*	SPRING, Valve	1	w/957E-638-C	5-63/64
32	957E-994613-A*	SHIM, Valve - .010" Thick	AR		11-57/1-60
32	957E-994613-C*	SHIM, Valve - .005" Thick	AR		11-57/1-60
32	957E-994613-D*	SHIM, Valve - .025" Thick	AR		11-57/1-60
32	957E-994613-E*	SHIM, Valve - .010" Thick	AR		2-60/64
32	957E-994613-F*	SHIM, Valve - .025" Thick	AR		2-60/64
33	E105-GF-9	SEAL, Plug	1		57/64
34	957E-994608-C*	BODY, Valve	1		4-63/64
35	957E-K844*	PLATE, Rear	1		57/64
36	116047-ES*	WASHER, Lock	8		57/64
37		NUT, 3/8-24 Hex	8		57/64

* No Longer Serviced

DEXTA

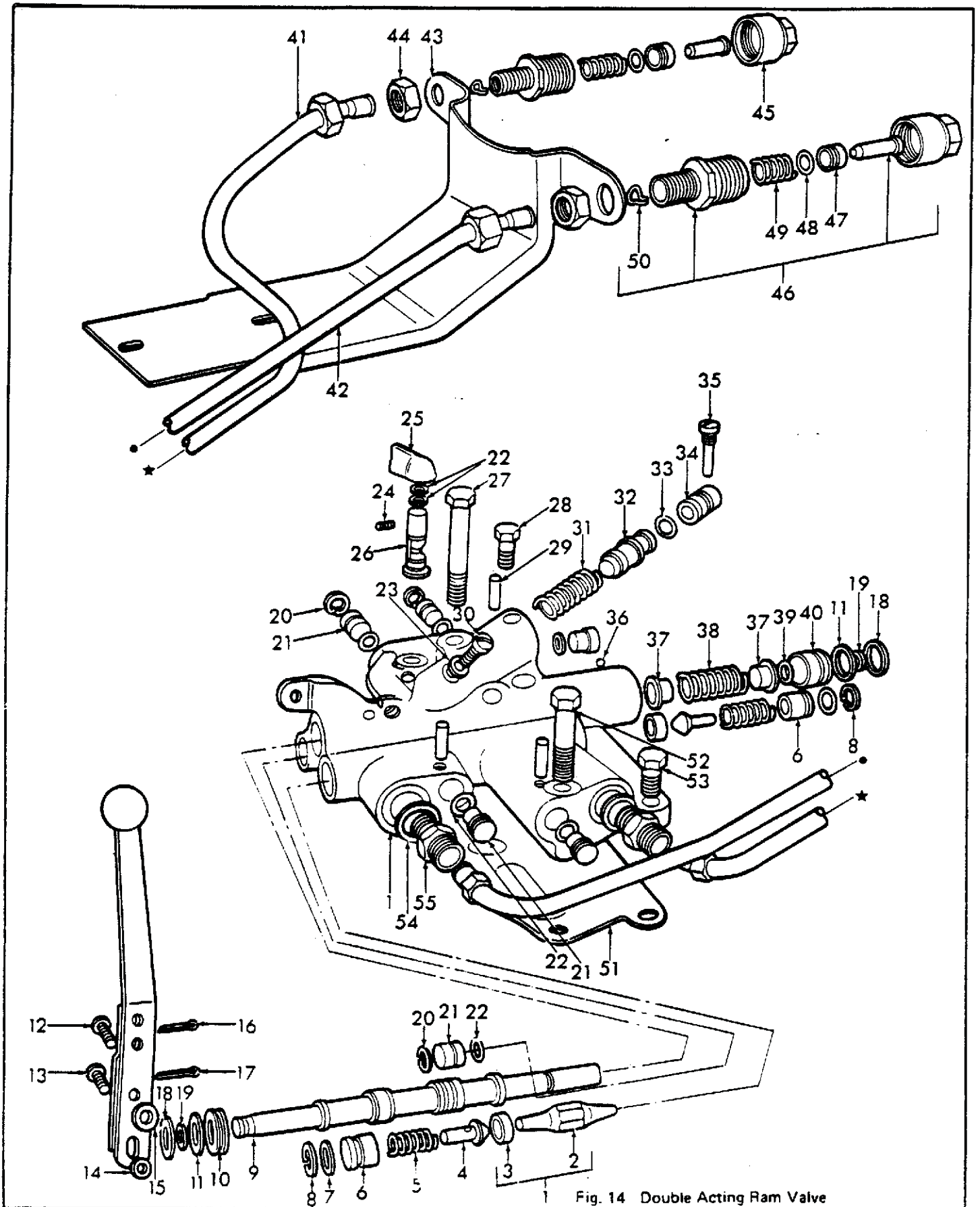


Fig. 14 Double Acting Ram Valve

DEXTA

FIG.	PART NO.	PART NAME	QTY	REMARKS	YEAR
14		<u>DOUBLE ACTING RAM VALVE</u>			
1	E56-WP-9*	VALVE ASSY., D.A.R.	1		57/64
2	E78-WP-9*	SHUTTLE, Valve	1		57/64
3	E1ADKN-994559*	SEAT, Plunger	2		57/64
4	E60-WP-9*	VALVE, Check	1		57/64
5	E126-WP-9*	SPRING, Plunger	2		57/64
6	E75-WP-9*	GUIDE, Check	2		57/64
7	87034-S95	SEAL, Oil Passage	2		57/64
8	115500-ES	RETAINER, Plug	2		57/9-58
8	115516-ES	RETAINER, Plug	2		10-58/64
9	E59-WP-9	SPOOL, Valve	1		57/64
10	E72-WP-9	SEAL, Front	1		57/64
11	87038-ES	SEAL, Oil Passage	2		57/64
12	73904-S	PIN, Clevis 5/16-1	1		57/9-58
12	73918-S*	PIN, Clevis	1		10-58/64
13	73902-S	PIN, Clevis - 3/16 x 1	1		57/64
14		WASHER, 1/2 O.D. x .20 I.D.	1		57/64
15		WASHER, 5/16 Flat	1		57/64
16		PIN, 1/16 x 3/8 Split	1		57/64
17		PIN, 1/8 x 5/8 Split	1		57/64
18	115501-ES	RETAINER, 1-1/32 Dia.	2		57/64
19	87032-ES	SEAL, 27/64" I.D.	2		57/64
20	115502-ES*	RETAINER, 9/16" Dia.	1		57/64
21	E1ADKN-994612	RETAINER	4	FTO-E	57/64
22	87008-ES	SEAL	8		57/64
23	E80-WP-9	SEAL, Valve Screw	1		57/64
24	116319-ES	PIN, 1/8 x 55/64	1		57/64
25	E77-WP-9	KNOB, Valve	1	FTO-E	57/64
26	E68-WP-9	RESTRICTOR, Flow	1		57/64
27		BOLT, 7/16-14 x 4-1/4 Hex	1		57/64
28		BOLT, 7/16-14 x 2-3/8 Hex	1		57/64
29		PIN, 3/16 x 57/64	5		57/64
30	115741-ES*	SCREW, 1/2 - 28 x 1/4	1		57/64
31	E69-WP-9	SPRING, Plunger	1		57/64
32	E61-WP-9	PLUNGER, Valve	1	FTO-E	57/64
33	87033-S95	SEAL	1		57/64
34	E62-WP-9*	STOP, Plunger	1		57/64
35	E66-WP-9*	PIN, Retaining	1		57/64
36	353080-S	BALL, Oil Passage	2		57/64
37	E74-WP-9	RETAINER, Recentering	2		57/64
38	E76-WP-9*	SPRING, Recentering	1		57/64
39	115503-ES*	RETAINER, 7/16 Spring	1		57/64
		* No Longer Serviced			

DEXTA

FIG.	PART NO.	PART NAME	QTY	REMARKS	YEAR
14		<u>DOUBLE ACTING RAM VALVE (CONT'D)</u>			
40	E73-WP-9*	SEAL, Rear Spool	1		57/64
41	E82-WP-9*	PIPE ASSY., R.H.	1		57/64
42	E83-WP-9*	PIPE ASSY., L.H.	1		57/64
43	E84-WP-9	BRACKET ASSY., Valve	1	FTO-E	57/64
44	117690-ES*	NUT, 1/2 BSP Hex.	2		57/64
45	E97-WP-9	CAP, Dust	2	FTO-E	57/64
46	E90-WP-9	COUPLING ASSY., Male Half Consists of N.S. Parts plus:	2	FTO-E	57/64
47	E96-WP-9	SLEEVE, Coupling	1	FTO-E	57/64
48	87034-S95	SEAL, Coupling Valve	1		57/64
49	E94-WP-9	SPRING, Coupling Valve	1	FTO-E	57/64
50	E95-WP-9	SPRING, Valve Locking	1	FTO-E	57/64
51	E67-WP-9*	GASKET, Body to Cover	2		57/64
52		BOLT, 7/16-14 x 2-1/8 Hex. Hd.	1		57/64
53		BOLT, 7/16-14 x 1-1/8 Hex. Hd.	1		57/64
54	E1ADKN-994573	SEAL, Valve to Adaptor	2	FTO-E	57/64
55	E50-WP-9*	ADAPTOR, Valve to Pipes	2		57/64
		* No Longer Serviced			

DEXTA

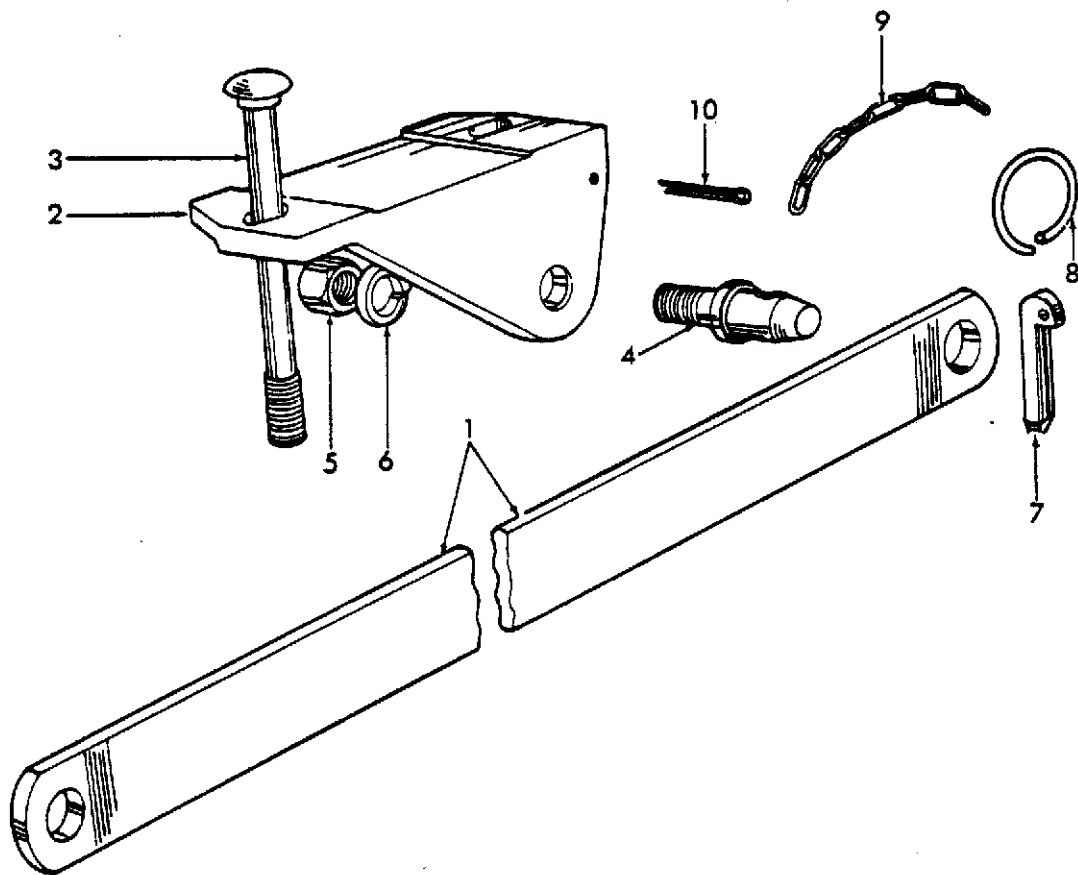


Fig. 15 H.P.L. Link Stabilizer

FIG.	PART NO.	PART NAME	QTY.	REMARKS	YEAR
15		<u>H.P.L. LINK STABILIZER</u>			
-	E38-WP-9	KIT, Stabilizer	1		57/64
1	E133-WP-9	BAR ASSY., Stabilizer	2	FTO-E	57/64
2	E52-WP-9	BRACKET, Stabilizer-R.H.	1	FTO-E	57/64
-	E53-WP-9	BRACKET, Stabilizer-L.H.	1	FTO-E	57/64
3	115735-ES	BOLT, 5/8-18 x 6.34 Special	2		57/64
4	CSNN-A889-A*	PIN, Pivot	2		57/64
5		NUT, 5/8-18 Hex	2		57/64
6		WASHER, 5/8 Lock	2		57/64
7	E27N-995217*	LINCH PIN	2		57/64
8	E27N-995279	RING, Linch Pin	2		57/64
9	E97-QF-9*	CHAIN, Pinto Bracket	2		57/64
10		PIN, Cotter	2		57/64
		* No Longer Serviced			

DEXTA

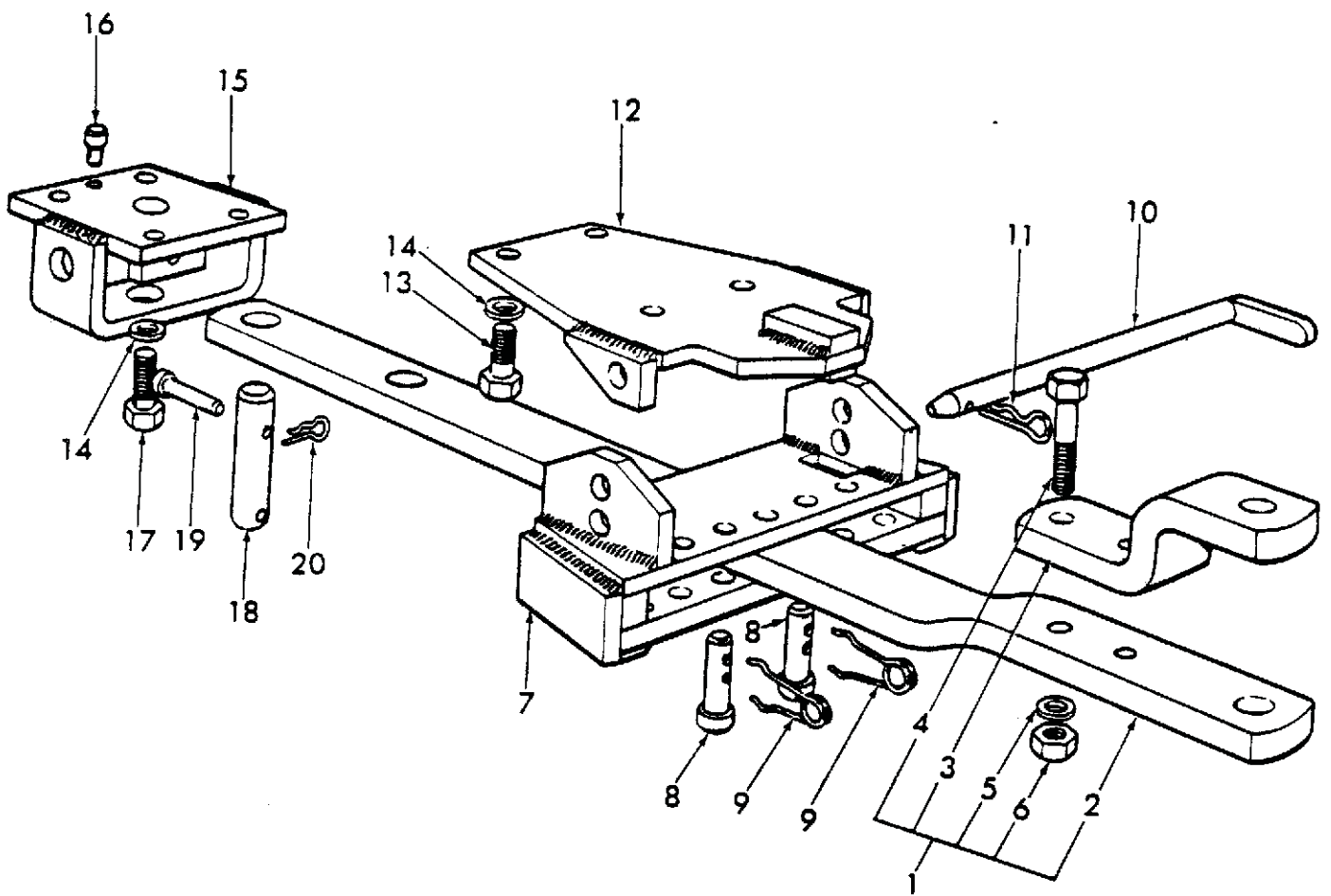


Fig. 16 Swinging Drawbar

DEXTA

FIG.	PART NO.	PART NAME	QTY	REMARKS	YEAR
16		<u>SWINGING DRAWBAR</u>			
-	E6-WL-9*	KIT, Swing Drawbar	1		57/64
1	957E-4730*	DRAWBAR ASSY., Swinging	1		57/64
		Consists of:			
2	957E-4724	DRAWBAR, Swinging	1	FTO-E	57/64
3	E621-T-9	BRACKET, Drawbar Clevis	1	FTO-E	57/64
4	45811-S	BOLT, 5/8-18 x 3 Hex Hd.	2		57/64
5		NUT, 5/8-18 Hex	2		57/64
6		WASHER, 5/8 Lock	2		57/64
7	957E-4726	BRACKET ASSY., Support	1		57/64
8	957E-4737*	PIN, Drawbar Adjusting	2		57/64
9	113814-ES	CLIP, Adjusting Pin	2		57/64
10	E623-T-9*	PIN, Support Bracket	1		57/64
11	119933-ES	PIN, Bracket	1		57/64
12	E624-T-9	PLATE ASSY., Support	1	FTO-E	57/64
13	45733-S2	BOLT, Plate to Housing	4		57/64
14		WASHER, 5/8 Lock	8		57/64
15	E626-T-9	BRACKET ASSY., Anchor	1	FTO-E	57/64
16	E70-QF-9	DOWEL, Anchor Bracket	1	FTO-E	57/64
17	45747-S*	BOLT, Bracket to Housing	4		57/64
18	957E-4727	PIN, Swivel	1	FTO-E	57/64
19	E625-T-9	PIN, Swivel Locking	1	FTO-E	57/64
20	E100-GD-9*	PIN, Locking	1		57/64
		* No Longer Serviced			

DEXTA

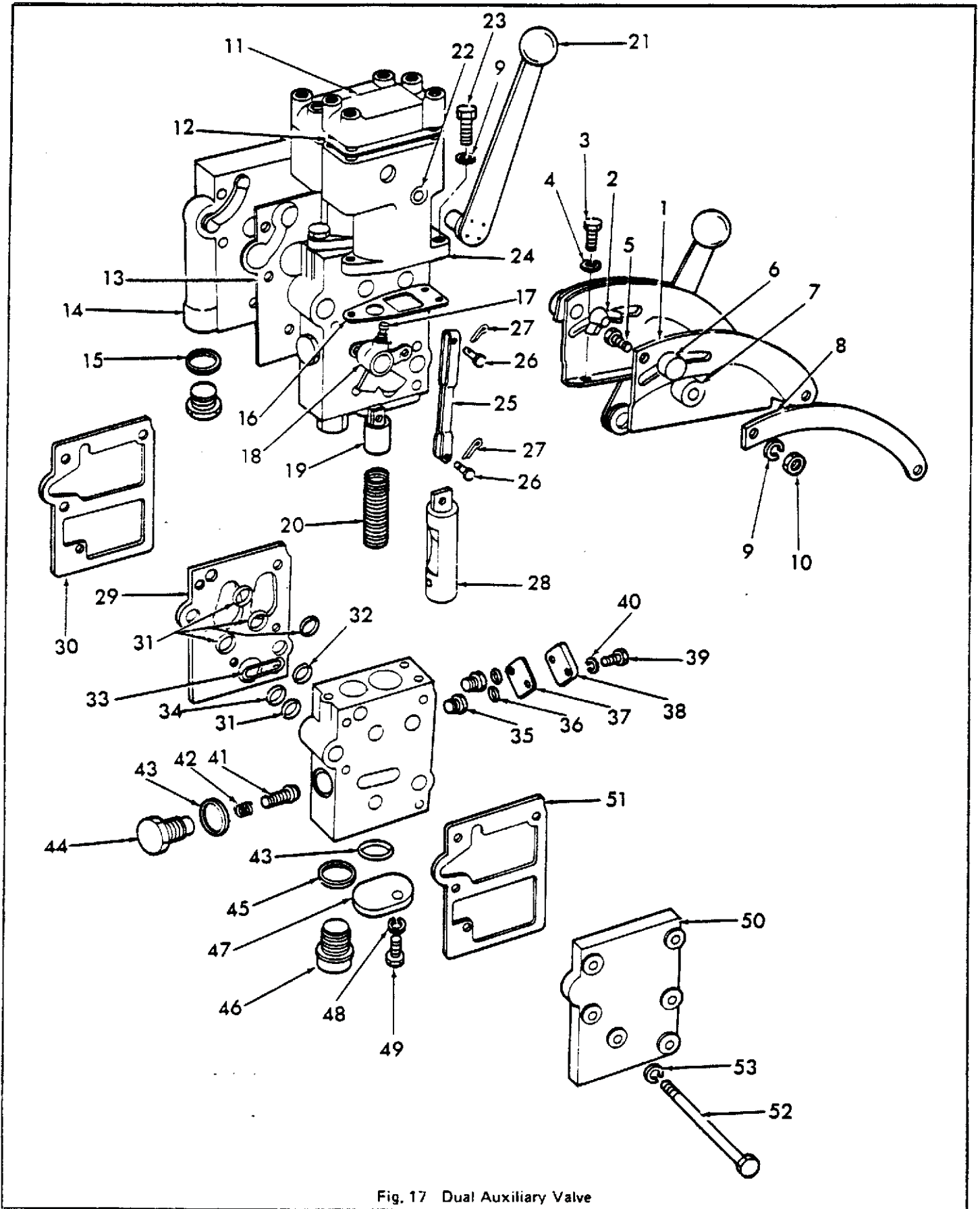


Fig. 17 Dual Auxiliary Valve

DEXTA

FIG.	PART NO.	PART NAME	QTY	REMARKS	YEAR
17		<u>DUAL AUXILIARY VALVE</u>			
-	E296-WP-9	VALVE ASSY., R.H. (Aux. Service)	1	FTO-E	57/64
-	E1ADKN-994561-B	VALVE ASSY., L.H. (Aux. Service)	1		57/64
1	E1ADKN-994815*	QUADRANT, Lever	1		57/64
-	E1ADKN-994808*	QUADRANT, Lever	1		57/64
2	33896-S	NUT, 5/16-18 Wing	2		57/64
3		SCREW, 5/16-18 x 1-3/4 Hex	8		57/64
4		WASHER, 5/16 Lock	8		57/64
5		SCREW, 5/16-24 x 7/8 Round Head	2		57/64
6	E1ADKN-994744*	STOP, Lever Adjusting	2		57/64
7	E1ADKN-994660*	SPACER, Lever Quadrant	4		57/64
8	E1ADKN-994737*	GUARD, Lever Quadrant	2		57/64
9		WASHER, 5/16 Lock	10		57/64
10		NUT, 5/16-24 Hex	2		57/64
11	E1ADKN-994731-A*	COVER, Lever Housing	2		57/64
12	E1ADKN-994614*	GASKET, Cover	2		57/64
13	E1ADKN-994796*	GASKET, Valve Cover	1		57/64
14	E285-WP-9	MANIFOLD	1	FTO-E	57/64
15	87038-ES	SEAL, Valve	2		57/64
16	E1ADKN-994732*	GASKET, Housing to Body	2		57/64
17	BB-7245*	SCREW, Lever to Shaft	2		57/64
18	E1ADKN-994748*	LEVER, Valve	2		57/64
19	E1ADKN-994707	HOUSING, Aux. Valve	2		57/64
-	E1ADKN-994712*	ROLLER, Aux. Valve	2		57/64
-	E1ADKN-994708*	PIN, Roller to Housing	2		57/64
20	E1ADKN-994713*	SPRING, Valve Indent	2		57/64
21	E1ADKN-994809-B*	LEVER, Shaft Assy.	2		57/64
22	116516-ES	SEAL, 7/16 I.D. x 37/64 O.D. x 1/16	2		57/64
23		SCREW, 5/16-18 x 1	6		57/64
24	E1ADKN-994730	HOUSING, Control Lever	2	FTO-E	57/64
25	E1ADKN-994756	LINK, Aux. Valve Piston	2	FTO-E	57/64
26	73859-S*	PIN, Piston Link Clevis	4		57/64
27		PIN, 1/16 x 3/8 Clevis	4		57/64
28	E1ADKN-994742-A	PISTON, Std. (Red)	AR	FTO-E	57/64
-	E1ADKN-994742-B	PISTON, .0002" O/S (Yellow)	AR	FTO-E	57/64
-	E1ADKN-994742-C	PISTON, .0004" O/S (Blue)	AR	FTO-E	57/64
-	E1ADKN-994742-D*	PISTON, .0006" O/S (Green)	AR		57/64
-	E1ADKN-994742-E*	PISTON, .0008" O/S (White)	AR		57/64
29	E287-WP-9*	PLATE, Aux. Valve	1		57/64
30	E1ADKN-994796*	GASKET, Service Manifold	1		57/64
31	87034-S95	SEAL, Oil Passage	8		57/64
32	87035-S95	SEAL, Oil Pass	2		57/64

* No Longer Serviced

DEXTA

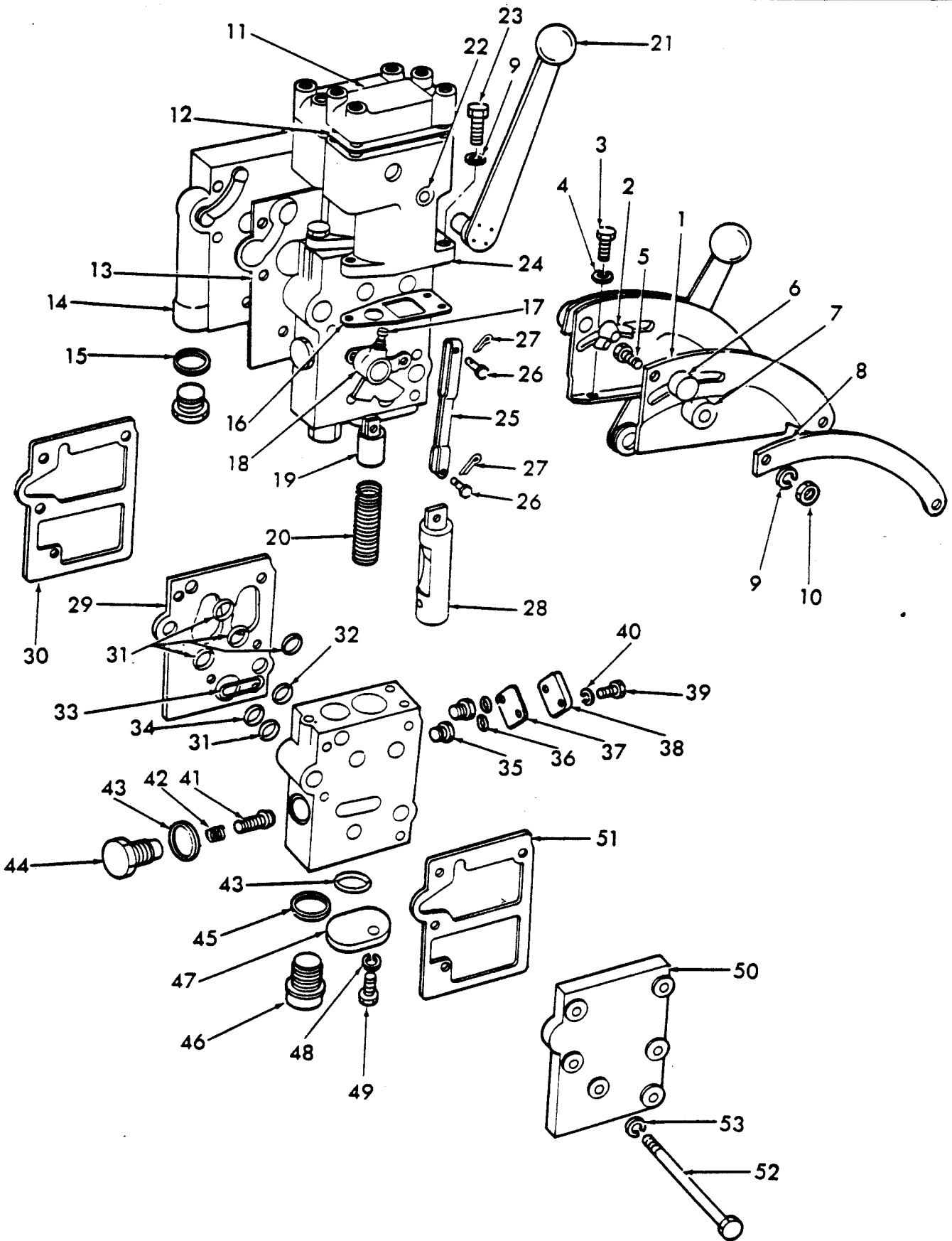


Fig. 17 Dual Auxiliary Valve

DEXTA

FIG.	PART NO.	PART NAME	QTY.	REMARKS	YEAR
17		<u>DUAL AUXILIARY VALVE</u>			
33	87054-ES	SEAL, Oil Passage	2		57/64
34	87051-ES*	SEAL, Plate to Valve	1		57/64
35	E1ADKN-994612	RETAINER, Oil Passage Seal	2		57/64
36	87008-ES	SEAL, Plate to Valve	2		57/64
37	E1ADKN-994883*	GASKET	2		57/64
38	E1ADKN-994888	COVER	2		57/64
39	20326-ES2	SCREW, 5/16-18 x 5/8	4		57/64
40		WASHER, 5/16 Lock	4		57/64
41	E1ADKN-994873*	VALVE, Aux. Check	2		57/64
42	E1ADKN-994875*	VALVE, Check Valve	2		57/64
43	87053-ES	SEAL, Plate	2		57/64
44	E1ADKN-994878*	GUIDE, Check Valve	2		57/64
45	E1ADKN-994873	SEAL	2		57/64
46	957E-994762	PLUG, Aux. Valve	2		57/64
47	E1ADKN-994743*	COVER, Piston Bore	2		57/64
48		WASHER, 5/16 Lock	4		57/64
49		SCREW, 5/16-18 x 5/8	4		57/64
50	E1ADKN-994794*	COVER, Aux. Valve	1		57/64
51	E1ADKN-994796*	GASKET, Valve Cover	1		57/64
52	113625-ES*	BOLT, Cover	6		57/64
53		WASHER, 3/8 Lock	6		57/64
		* No Longer Serviced			

DEXTA

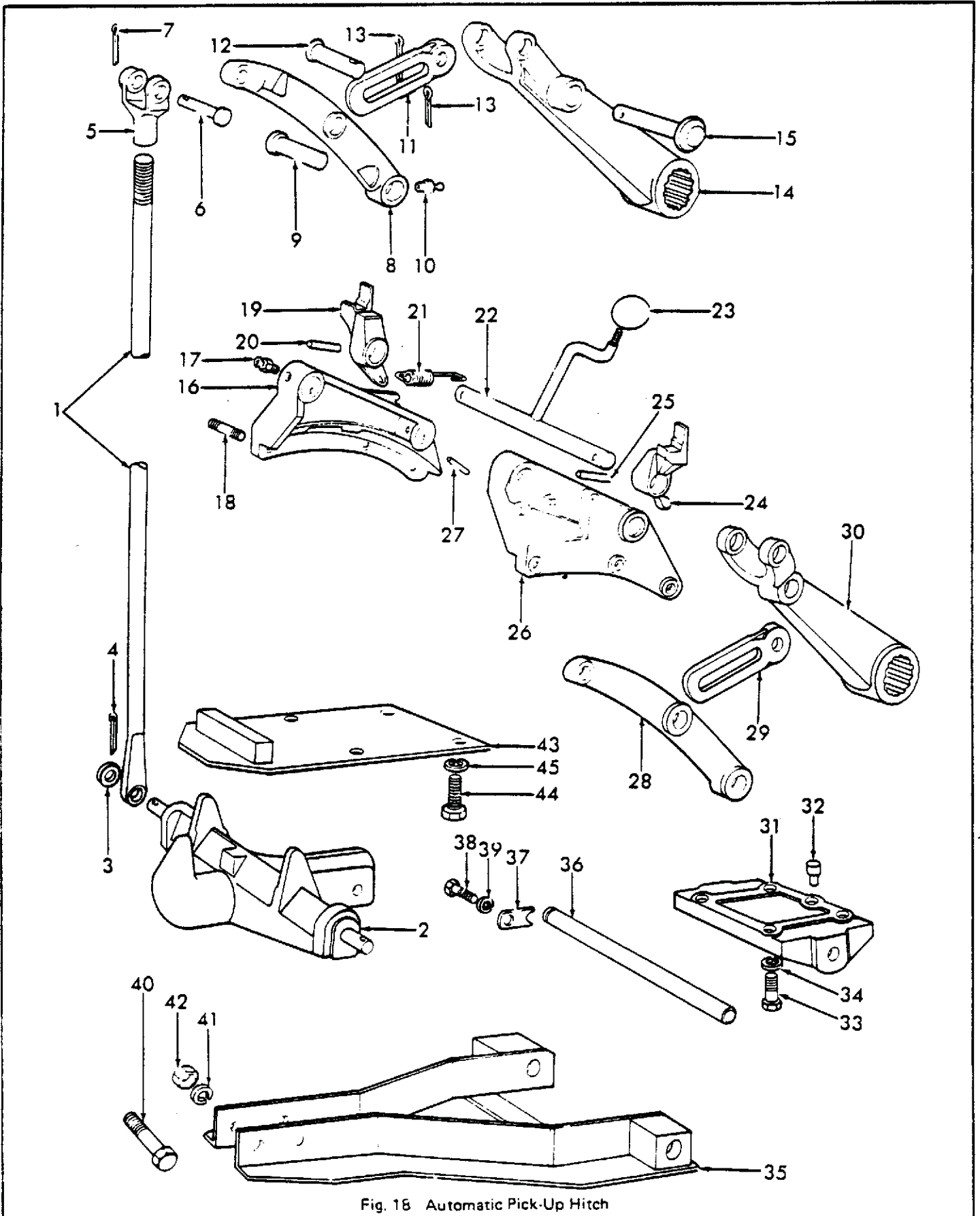


Fig. 18 Automatic Pick-Up Hitch

DEXTA

FIG.	PART NO.	PART NAME	QTY.	REMARKS	YEAR
18		<u>AUTOMATIC PICK-UP HITCH</u>			
1	E82-QF-9*	ROD, Auto. Hitch Lift	2		58/64
2	E86-QF-9	HOOK ASSY.	1	FTO-E Only	58/64
3		WASHER, 3/4 Flat	2		58/64
4		PIN, 3/16 x 1 Cotter	2		58/64
5	E76-QF-9	YOKE, Auto. Hitch	2	FTO-E Only	58/64
6	74060-S36	PIN, 5/8 x 2-5/16 Clevis	2	FTO-E Only	58/64
7		PIN, 1/8 x 1 Cotter	2		58/64
8	E80-QF-9*	ARM, Lift (L.H.)	1		58/64
9	E67-QF-9*	PIN, Lift Arm Pivot	1		58/64
10	353043-ES7/8B	FITTING, Lube	1		58/64
11	E75-QF-9*	LINK, Hitch Lift	1		58/64
12	E66-QF-9	PIN, Lift Arm	1	FTO-E Only	58/64
13		PIN, 3/16x 1-1/2 Cotter	1		58/64
14	957E-994620-B*	ARM ASSY., Cyl. Lifting	2		58/64
15	E65-QF-9*	PIN, Lift Arm	2		58/64
16	E85-QF-9*	SUPPORT, Hitch (L.H.)	1		58/64
17	353043-ES7/8B	FITTING, Lube	1		58/64
18	117481-ES*	STUD, Supt. to RR. Axle Center Hsg.	3		58/64
19	E74-QF-9*	STRUT, Hitch (L.H.)	1		58/64
20	72307-S	PIN, Groove (Strut to Pivot)	1	3/8 x 1-3/4	58/64
21	E69-QF-9*	SPRING, Auto. Hitch	1		58/64
22	E92-QF-9*	PIVOT & HANDLE ASSY., Hitch	1		58/64
23	BB-7213-A	BALL, Pivot Handle	1		58/64
24	E73-QF-9*	STRUT, Hitch (R.H.)	1		58/64
25	72307-S	PIN, Groove (Strut to Pivot)	1	3/8 x 1-3/4	58/64
26	E84-QF-9*	SUPPORT, Hitch (R.H.)	1		58/64
27	72319-S	PIN, Groove (Pin to Supt. Brkt.)	1	3/8 x 2.00	58/64
28	E79-QF-9*	ARM, Lift (R.H.)	1		58/64
29	E75-QF-9*	LINK, Hitch Lift	1		58/64
30	957E-994620-B*	ARM ASSY., Cyl. Lifting	1		58/64
31	E77-QF-9*	BRACKET, Hitch Anchor	1		58/64
32	E70-QF-9	DOWEL, Anchor Bracket	1	FTO-E	58/64
33	45747-S*	BOLT, Anch. Brkt. to Cent. Diff. Hsg.	4		58/64
34		WASHER, 5/8 Lock	4		58/64
35	E88-QF-9*	FRAME ASSY., Hitch	1		58/64
36	E1ADKN-4744	PIN, Draw-Bar Fulcrum	1		58/64
37	119863-ES*	RETAINER, Fulcrum Pin	1		58/64
38	20349-S2*	BOLT, Retainer to Frame	1		58/64
39		WASHER, 3/8 Lock	1		58/64
40	45803-S2*	BOLT, Auto. Hitch Frame to Hook	2		58/64
41		NUT, 5/8-11	2		58/64
42		WASHER, 5/8 Lock	2		58/64
43	E81-QF-9*	BUMPER, Auto. Hitch	1		58/64
44	45726-S2*	BOLT, Bumper to Housing	4		58/64
45		WASHER, 5/8 Lock	4		58/64
		* No Longer Serviced			

DEXTA

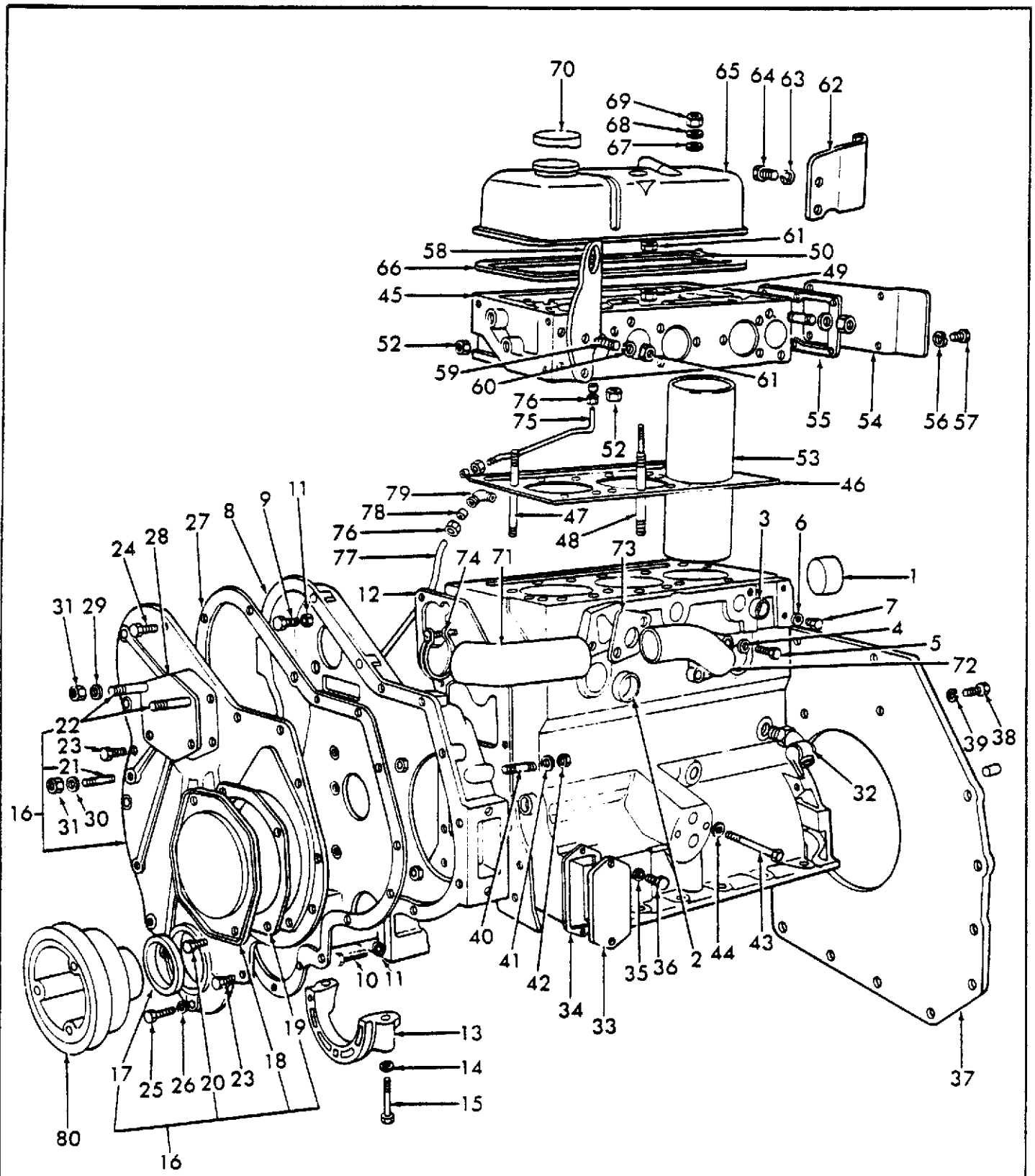


Fig. 19 Cyl. Block, Head & Related Parts

DEXTA

FIG.	PART NO.	PART NAME	QTY.	REMARKS	YEAR
19		<u>CYLINDER BLOCK, HEAD & RELATED PARTS</u>			
-	957E-6011-C*	CYLINDER ASSY., Complete	1	144 Cu. In.	57/64
-	960E-6011	CYLINDER ASSY., Complete Consists of Crankshaft, Rods, Pistons, etc. It does not contain Camshaft & Timing Gear	1	152 Cu. In.	4-62/64
-	957E-6010-D*	BLOCK & CAPS ASSY.	1	144 Cu. In.	57/64
-	960E-6010	BLOCK & CAPS ASSY.	1	152 Cu. In.	4-62/64
-	957E-6K003	GASKET, Combustion Chamber Cap to Cyl. Head	3		57/64
-	957E-6008	KIT, Gasket Engine Overhaul	1	144 Cu. In.	57/64
-	960E-6008	KIT, Gasket Engine Overhaul Refer to Kits in Misc. Section for Components.	1	152 Cu. In.	4-62/64
1	957E-6266*	PLUG, Rear, Camshaft Chamber	1		57/64
-	E66-CA-9*	PLUG	2		10-58/64
2	115411-ES*	PLUG, 1-1/4 Expansion	5		57/64
3	115412-ES*	PLUG, 7/8 Expansion	3		57/64
4	118354-ES	WASHER, Water Rail Plug	1	FTO-E	57/7-60
5		PLUG, 5/16-24 x 3/8 Hex	1		57/7-60
6	118357-ES	WASHER, Water Rail Plug	1		7-60/64
7	115437-ES*	PLUG, 5/16-24 x 1/2 Hex Hd. (Fuel Oil Filter Facing)	1		7-60/64
-	E30-CA-9*	PLUG, Oil Pressure Rail	2		57/64
8	957E-6019*	HOUSING, Timing Gear	1		57/64
9	115681-ES*	BOLT, 5/16-24 x 3/4 Thin Hex Hd.	12		57/64
10		BOLT, 5/16-24 x 1-3/4 Hex Hd.	2		57/64
11		WASHER, 5/16 Lock Shakeproof	14		57/64
12	957E-6020*	GASKET	1		57/64
13	E25-CH-9*	COVER, Timing Gear Hsg. Bottom	1		57/64
14		WASHER, 5/16 Lock	2		57/64
15		BOLT, 5/16-24 x 2 Hex Hd.	2		57/11-58
15		BOLT, 5/16-24 x 1-3/8 Hex Hd.	2		11-58/64
16	E26-CH-9	COVER ASSY., Front Consists of Cover plus:	1	FTO-E	57/64
17	957E-6362	SEAL, Oil	1		57/64
18	E14-CH-9*	COVER, Timing Gear Inspection	1		57/64
19	E12-CH-9	GASKET	1		57/64
20	115758-ES	BOLT, 5/16-18 x 5/8 Hex Hd.	4	FTO-E	57/64
21		STUD, 5/16-18-24 x 1-1/16	2		57/64
22		STUD, 5/16-18-24 x 2-1/8	2		57/64
23	115762-ES*	BOLT & LOCKWASHER, 1/4-20 x 3/4 Hex	13		57/64
24	115759-ES*	BOLT & LOCKWASHER, 5/16-18 x 1 Hex	1		57/64
-		BOLT & LOCKWASHER, 5/16-18 x 1-1/4 Hex	2		57/64
25	115931-ES*	BOLT, 5/16-18 x 1-1/4 Hex Hd.	1		57/64
26	118534-ES*	WASHER, 5/16 Lock	1		57/64
27	E9-CH-9	GASKET	1		57/64
28	E23-CH-9*	BACKPLATE	1		8-58/64
29		WASHER, 5/16 Shakeproof Int. Teeth	2		57/64
30		WASHER, 5/16 Lock	2		57/64
31		NUT, 5/16-24 Hex	4		57/64
		* No Longer Serviced			

DEXTA

FIG.	PART NO	PART NAME	QTY.	REMARKS	YEAR
19		<u>CYLINDER BLOCK, HEAD</u> <u>& RELATED PARTS (CONT'D)</u>			
32	2701E-8115-B	COCK ASSY., Drain	1	FTO-E	57/64
33	E13-CH-9*	PLATE, Inspection	1	FTO-E	57/64
34	E11-CH-9	GASKET	1		57/64
35		WASHER, 5/16 Lock	2		57/64
36	115754-ES*	BOLT, Plate of Housing	2		57/64
37	957E-6391-B*	PLATE (Use with Engines less Clutch Hsg. - For Industrial Use)	1		57/64
38		BOLT, 3/8-24 x 1-1/8 Hex Hd.	8		57/64
39		WASHER, 3/8 Lock	8		57/64
40		STUD, 5/16-18-24 x 1-5/16	1		57/64
41		WASHER, 5/16 Lock	1		57/64
42		NUT, 5/16-24 Hex	1		57/64
43	115752-ES*	BOLT, 3/8-24 x 4-1/4 Hex Hd.	2		57/64
44		WASHER, 3/8 Lock	2		57/64
45	E2046-T-9	HEAD ASSY., Cylinder	1		57/64
46	960E-6051	GASKET, Head	1		57/64
47	960E-6066-A*	STUD, Block to Head	1		9-60/64
47	960E-6066-B*	STUD, Block to Head	9		57/64
48	960E-6067*	STUD, Block to Head	6		57/64
49	117844-ES*	NUT, 7/16-20 Hex Special	15		57/7-63
49	114203-ES	NUT, 7/16-20 Hex Special	15		7-63/64
50	957E-6730-B	PLUG	2		57/64
-	E30-CA-9*	PLUG, Water Jacket	1		57/64
52	E45-CA-9*	PLUG, Water Port	3		57/64
53	957E-6055	LINER, Sleeve	3	144 Cu. In.	57/64
53	960E-6055	LINER, Sleeve	3	152 Cu. In.	4-62/64
54	E15-CH-9*	PLATE, Rear	1		57/64
55	E32-CA-9*	GASKET, Plate	1	FTO-E	57/64
56		WASHER, 5/16 Lock	6		57/64
57		BOLT, 5/16-24 x 3/4 Hex Hd.	6		57/64
58	E35-CA-9*	PLATE, Lifting	2		57/64
59	117472-ES*	STUD, 3/8-24-24 x 1-1/8	2		57/64
60		WASHER, 3/8 Lock	2		57/64
61	117642-ES	NUT, 3/8-24 Special	2		57/64
62	E36-CA-9	BRACKET, Bulkhead Support	1	FTO-E	57/64
63		WASHER, 3/8 Lock	2		57/64
64	115756-ES*	BOLT, 3/8-24 x 1 Hex Special	2		57/64
65	957E-6449*	COVER ASSY., Rocker	1		57/64
66	957E-6584	GASKET, Cover	1		57/64
-	E38-CP-9*	STUD, Cover & Rocker Shaft Bracket to Head	2		57/64
67		WASHER, 5/16 Flat	2		57/64
68	118366-ES*	WASHER, 11/32 I.D. x 3/8 O.D. x 1/16 Flat Leather	1		57/64
69	117608-ES	NUT, 5/16-24 Hex Nyloc	2	FTO-E	57/64
70	957E-6766*	CAP & BREATHER ASSY., Oil Filler	1		57/64
		* No Longer Serviced			

DEXTA

FIG.	PART NO.	PART NAME	QTY.	REMARKS	YEAR
19		<u>CYLINDER BLOCK, HEAD</u> <u>& RELATED PARTS (CONT'D)</u>			
-	957E-6C037*	KIT, Gasket (Engine Overhaul)	1		57/64
-	960E-6C037	KIT, Gasket (Engine Overhaul) Refer to Kit Section for Components	1	Super Dexta	4-62/64
71	E5-CJ-9	HOSE, Water Pump Outlet to Block	1		57/64
72	957E-8275	CONNECTION	1		57/64
73	957E-8280	GASKET	1		57/64
74	60E-8287-B	CLAMP	2		57/2-59
74	E493A-8287-B*	CLAMP	2		2-59/64
75	957E-6K603*	PIPE, Outlet Oil	1		57/64
76	117621-ES*	NUT, 3/16 Tubing	4		57/64
77	957E-6K602*	PIPE, Inlet Oil	1		57/64
78	E98T-9242	FERRULE	4		57/64
79	E50-CF-9	CONNECTION, Elbow	3	FTO-E	57/64
80	957E-6312	PULLEY, Crankshaft	1		
-	957E-6796*	PIPE ASSY., Breather	1	FTO-E	57/64
-	E32-CG-9*	HOSE, Pipe to Rocker Cover	1		57/64
-	510E-2407*	CLAMP	1		57/64
		* No Longer Serviced			

DEXTA

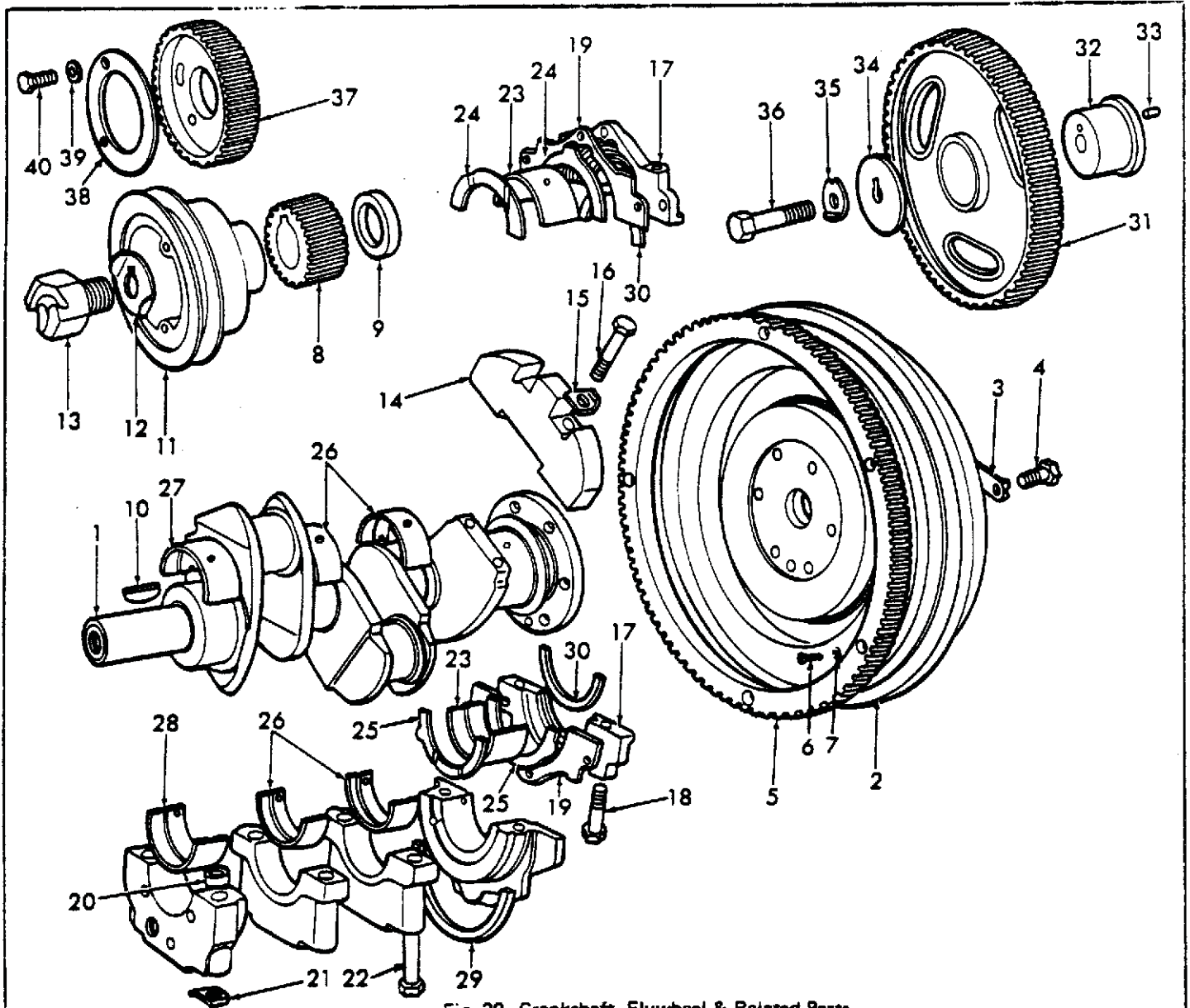


Fig. 20 Crankshaft, Flywheel & Related Parts

FIG.	PART NO	PART NAME	QTY	REMARKS	YEAR
20		<u>CRANKSHAFT, FLYWHEEL & RELATED PARTS</u>			
1	E2006-T-9	CRANKSHAFT	1		57/64
2	957E-6380	FLYWHEEL, (Does not Contain Ring Gear)	1		57/64
3	957E-6367	PLATE, Locking	3	FTO	57/64
4	115645-ES8 *	BOLT, 1/2-20 x 1-1/4 Hex Special	6		57/64
5	957E-6384-B	GEAR, Ring	1		57/64
6		BOLT, 5/16-24 x 1-1/4 Hex Hd.	6		57/3-58
6	36915-S	SCREW, 5/16-18 x 7/16 Rd. Hd. Pt.	6		3-58/5-58
6	115801-ES18 *	SCREW, 5/16-24 x 1 Flat Hd. Cross Recess	6		5-58/64
7		WASHER, 5/16 Lock	6		57/3-58
7		WASHER, 5/16 Shakeproof - Ext. Teeth	6		3-58/5-58
7		WASHER, 5/16 Shakeproof - C'sunk Ext.	6		5-58/64
8	957E-6306	GEAR, Crankshaft	1		57/64
9	E30-CP-9 *	PIECE, Distance	1		57/64
10	119839-ES *	KEY	1		57/3-60
10	115007-ES *	KEY	1		3-60/64
11	957E-6312	PULLEY, Crankshaft	1		57/64

* No Longer Serviced

DEXTA

FIG.	PART NO.	PART NAME	QTY	REMARKS	YEAR
20		<u>CRANKSHAFT, FLYWHEEL</u> <u>& RELATED PARTS</u>			
12	116299-ES *	WASHER, Starting Dog Lock	1		57/64
13	957E-6319-A	DOG, Starting Crank	1		57/1-61
13	957E-6319-B *	DOG, Starting	1		1-61/64
14	957E-6308 *	WEIGHT, Crankshaft Balance	2		57/64
15	113355-ES *	WASHER, Tab R.H.	2		57/64
15	113356-ES *	WASHER, Tab L.H.	2		57/64
16		BOLT, 7/16-20 x 2-3/4 Hex Hd. (Wat to C'Shaft)	2		57/64
17	E124-Z-9	RETAINER ASSY.	1	FTO-E	57/64
18		BOLT, 5/16-24 x 3-3/4 Hex Hd.	2		57/64
--	117695-ES	NUT, 5/16-24 Hex Lock	2		57/64
19	957E-6344	GASKET, Retainer	2		57/64
--		WASHER, 5/16 Shakeproof Int. Teeth	9		57/64
--	115644-ES *	BOLT, 5/16-24 x 11/16 Thin Hex Hd.	9		57/64
20	E31-CA-9 *	DOWEL, Bearing Cap	8		57/64
21	957E-6349 *	WASHER	8		57/12-62
21	E-96-CA-9 *	WASHER	8		12-62/64
22	957E-6346 *	BOLT, Retain Cap	8		57/64
23	957E-6331-L/R	LINER, Rear Main Bearing - Standard	2		57/64
23	957E-6331-M	LINER, Rear Main - .010" U/S	2		57/64
23	957E-6331-N	LINER, Rear Main - .020 U/S	2		57/64
23	957E-6331-P *	LINER, Rear Main - .030 U/S	2		57/64
24	957E-6334-A	WASHER, Main Bearing Thrust - Std. Upper	2		57/64
24	957E-6334-B *	WASHER, Main Thrust - .0075 O/S Upper	2		57/64
25	957E-6336-A	WASHER, Main Thrust - Standard Lower	2	Use w/957E-6010-A	57/1-60
25	957E-6336-B *	WASHER, Main Thrust - .0075" O/S Lower	2	Use w/957E-6010-A	57/1-60
25	957E-6336-C	WASHER, Main Thrust - Standard - Lower	2		1-60/64
25	957E-6336-D	WASHER, Main Thrust - .0075" O/S Lower	2	FTO-E	1-60/64
26	957E-6341-L/R	LINER, Intermediate Main Bearing-Standard	4		57/64
26	957E-6341-M	LINER, Intermediate - .010" U/S	4		57/64
26	957E-6341-N	LINER, Intermediate - .020" U/S	4		57/64
26	957E-6341-P	LINER, Intermediate - .030" U/S	4		57/64
27	957E-6342-L/R	LINER, Front Main-Standard-Upper	1		57/64
27	957E-6342-M	LINER, Front Main-.010" U/S-Upper	1		57/64
27	957E-6342-N	LINER, Front Main-.020" U/S-Upper	1		57/64
27	957E-6342-P*	LINER, Front Main-.030" U/S-Upper	1	w/957E-6333-P	57/64
28	957E-6333-L/R	LINER, Front Main-Standard-Lower	1		57/64
28	957E-6333-M	LINER, Front Main-.010" U/S-Lower	1		57/64
28	957E-6333-N	LINER, Front Main-.020" U/S-Lower	1		57/64
28	957E-6333-P*	LINER, Front Main-.030" U/S-Lower	1	w/957E-6242-P	57/64
29	957E-6700	GASKET	2		57/64
30	957E-6701	SEAL, Oil Rear	2		57/64
31	E33-CP-9	GEAR, Idler	1		57/64
32	E31-CP-9*	HUB, Idler Gear	1		57/64
33	116320-ES*	PIN, 3/16 x 1/2 Straight (Hub to Block)	1		57/64
34	E32-CP-9*	PLATE, Gear Retaining	1		57/64
35	E25-CP-9*	WASHER	1		57/64
36	115649-ES	BOLT, 1/2-20 x 2-5/8 Hex Special	1		57/64
37	E411-CL-9*	GEAR, Injection Pump Drive	1		57/64
38	E316-CL-9*	PLATE, Gear Retaining	1		57/64
39		WASHER, 5/16 Shakeproof-Int. Teeth	3		57/64
40		BOLT, 5/16-24 x 7/8 Hex Hd.	3		57/64

No Longer Serviced

DEXTA

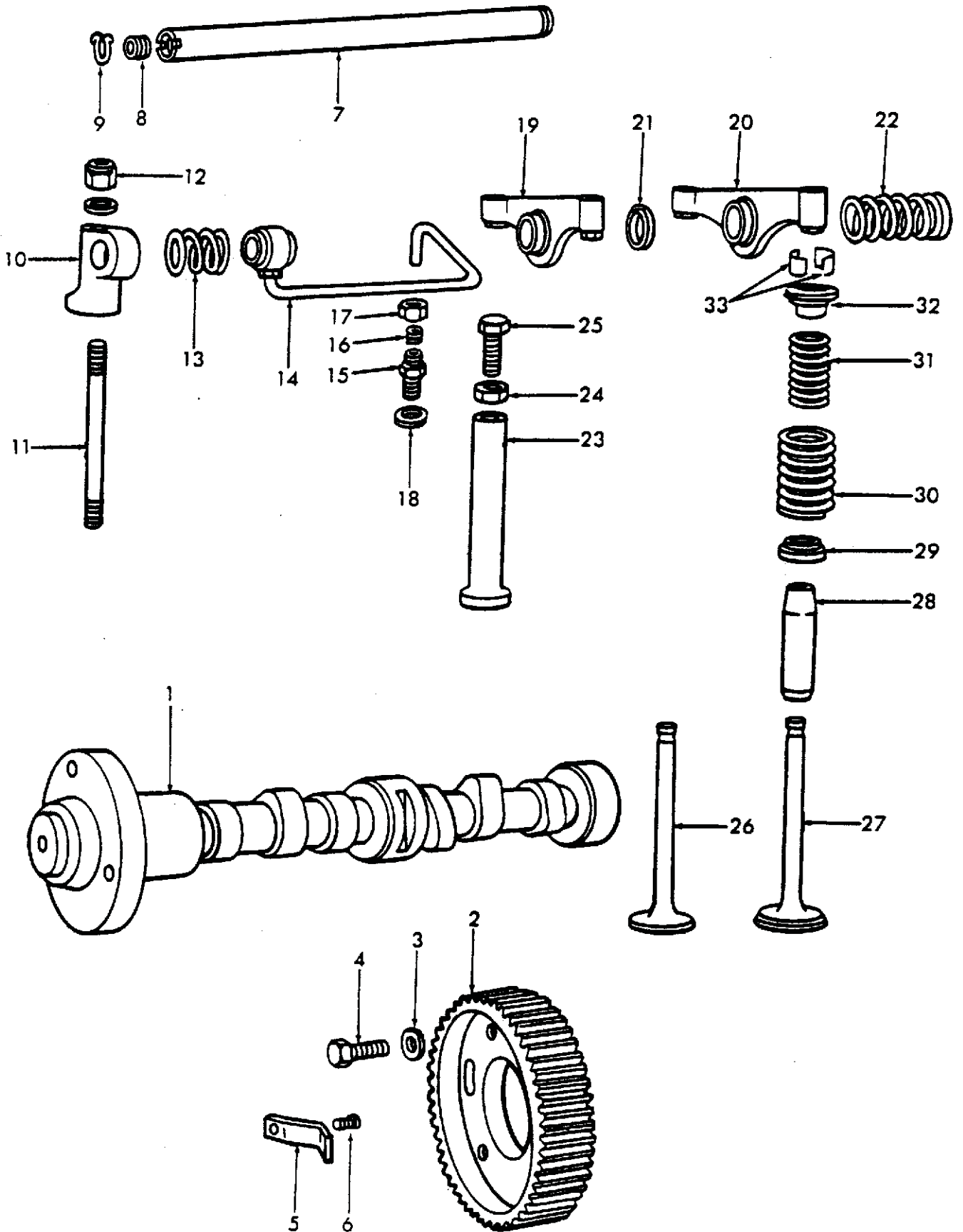


Fig. 21 Camshaft, Rocker Arm, Valves & Related Parts

DEXTA

FIG.	PART NO.	PART NAME	QTY.	REMARKS	YEAR
21		<u>CAMSHAFT, ROCKER ARM, VALVES & RELATED PARTS</u>			
1	957E-6250*	CAMSHAFT	1		57/64
2	957E-6256	GEAR, Camshaft	1	FTO-E	57/64
3		WASHER, 5/16 Shakeproof Int. Teeth	3		57/64
4		BOLT, 5/16-24 x 3/4 Hex Hd.	3		57/64
5	957E-6276*	SPRING, Thrust	1		57/64
6	117227-ES	RIVET, 1/8 x 5/16 Round Hd. Solid (Spring to Front Cover)	1	FTO-E	57/64
7	957E-6459*	SHAFT, Valve Rocker	1		57/64
8	957E-6498*	PLUG, Shaft End	2		57/64
9	115532-ES*	CIRCLIP, Shaft Location	2		57/64
10	957E-6536*	BRACKET	4		57/64
11	117468-ES*	STUD, 3/8-24-24 x 3-1/8 Short	2		57/64
11	E38-CP-9*	STUD, Bracket & Cover to Head-Long	2		57/64
12	114250-ES*	NUT, 5/8-24 Hex Nyloc	4		57/64
12	117608-ES	NUT, 5/16-24 Hex Nyloc	2	FTO-E	57/64
13	957E-6492*	SPRING, Centre	1		57/64
14	957E-6578*	PIPE, Oil Feed	1		57/64
15	E40-CP-9*	UNION, Oil Feed Pipe	1		57/64
16	E98T-9242*	FERRULE	2		57/64
17	117621-ES*	NUT, 3/16 Tubing	1		57/64
18	118364-ES	WASHER, Flat	1		57/64
19	957E-6468	ROCKER, R.H.	3		57/64
20	957E-6469	ROCKER, L.H.	3		57/64
21	E36-CP-9*	PIECE, Distance	4		57/64
22	957E-6466*	SPRING, Locating Rear & Front	2		57/64
23	957E-6489	TAPPET, Push Rod	6		57/64
24		NUT, 5/16-24 Hex Check	6		57/64
25	957E-6549*	SCREW, Tappet Adjusting	6		57/64
26	957E-6505	VALVE, Exhaust	3		57/64
27	957E-6507	VALVE, Inlet	3		57/64
28	957E-6510-B	GUIDE, Valve (Use with E56-CP-9 Replaces 957E-6510-A)	6		57/64
29	E39-CP-9	WASHER, Spring Locating	6		57/12-60
29	E56-CP-9	WASHER, Spring Locating	6	Use w/957E-6510-B	12-60/64
30	957E-6513	SPRING, Valve Outer	6		57/64
31	957E-6509	SPRING, Valve Inner	6		57/64
32	957E-6514*	RETAINER	6		57/64
33	957E-6518	COLLET, Spring Retainer	6 prs.		57/64
--	404E-6571*	SEAL, Injector Pump to Inj. Pipe	1		7-63/64
		* No Longer Serviced			

DEXTA

DEXTA

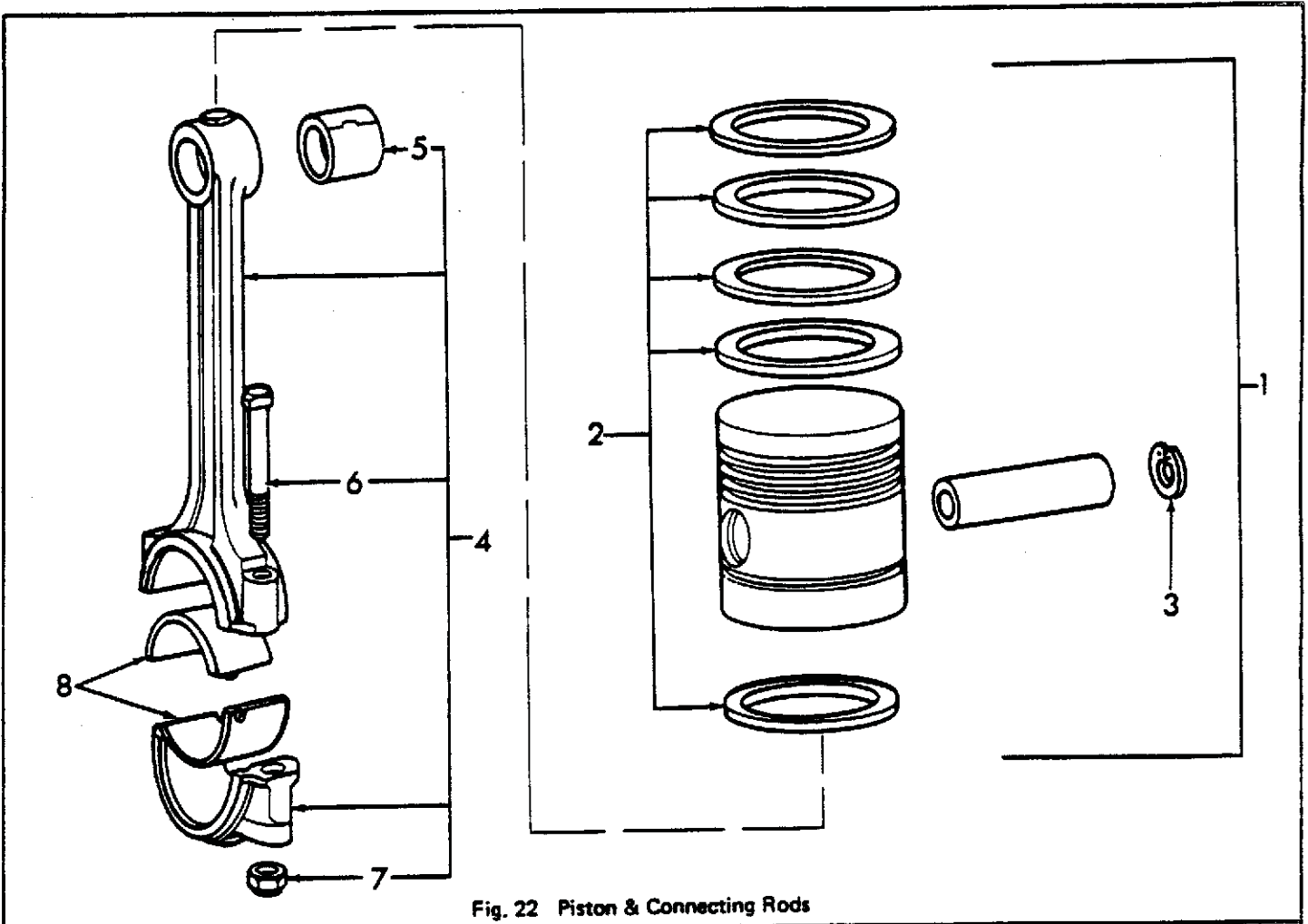


Fig. 22 Piston & Connecting Rods

FIG.	PART NO.	PART NAME	QTY	REMARKS	YEAR
22		<u>PISTON AND CONNECTING ROD</u>			
1	957E-6102-C	PISTON ASSY., Standard	3	144 Cu. In.	57/64
1	957E-6102-D	PISTON ASSY., .030" O/S	3	144 Cu. In.	57/64
1	957E-6102-B	PISTON ASSY., Standard	3	152 Cu. In.	4-62/64
		Consists of Piston & Pin plus:			
2	957E-6149-A	KIT, Piston Ring-Standard	1	144 Cu. In.	57/64
2	957E-6149-B	KIT, Piston Ring-.030" O/S	1	144 Cu. In.	57/64
2	960E-6149	KIT, Piston Ring-Standard	1	152 Cu. In.	4-62/64
3	957E-6140*	RETAINER, Pin	6		57/64
4	957E-6200	ROD ASSY., Connecting	3		57/64
		Consists of Rod plus:			
5	957E-6207	BUSHING	3	Export Only	57/64
6	957E-6215	BOLT, Rod	6		57/64
7	385279-S2	NUT, Rod	6		57/64
8	957E-6211-F	LINER, Bearing-Standard	6		57/64
8	957E-6211-G	LINER, Bearing-.010" U/S	6		57/64
8	957F-6211-H	LINER, Bearing-.020" U/S	6		57/64
8	957E-6211-J	LINER, Bearing-.030" U/S	6		57/64

* No Longer Serviced

DEXTA

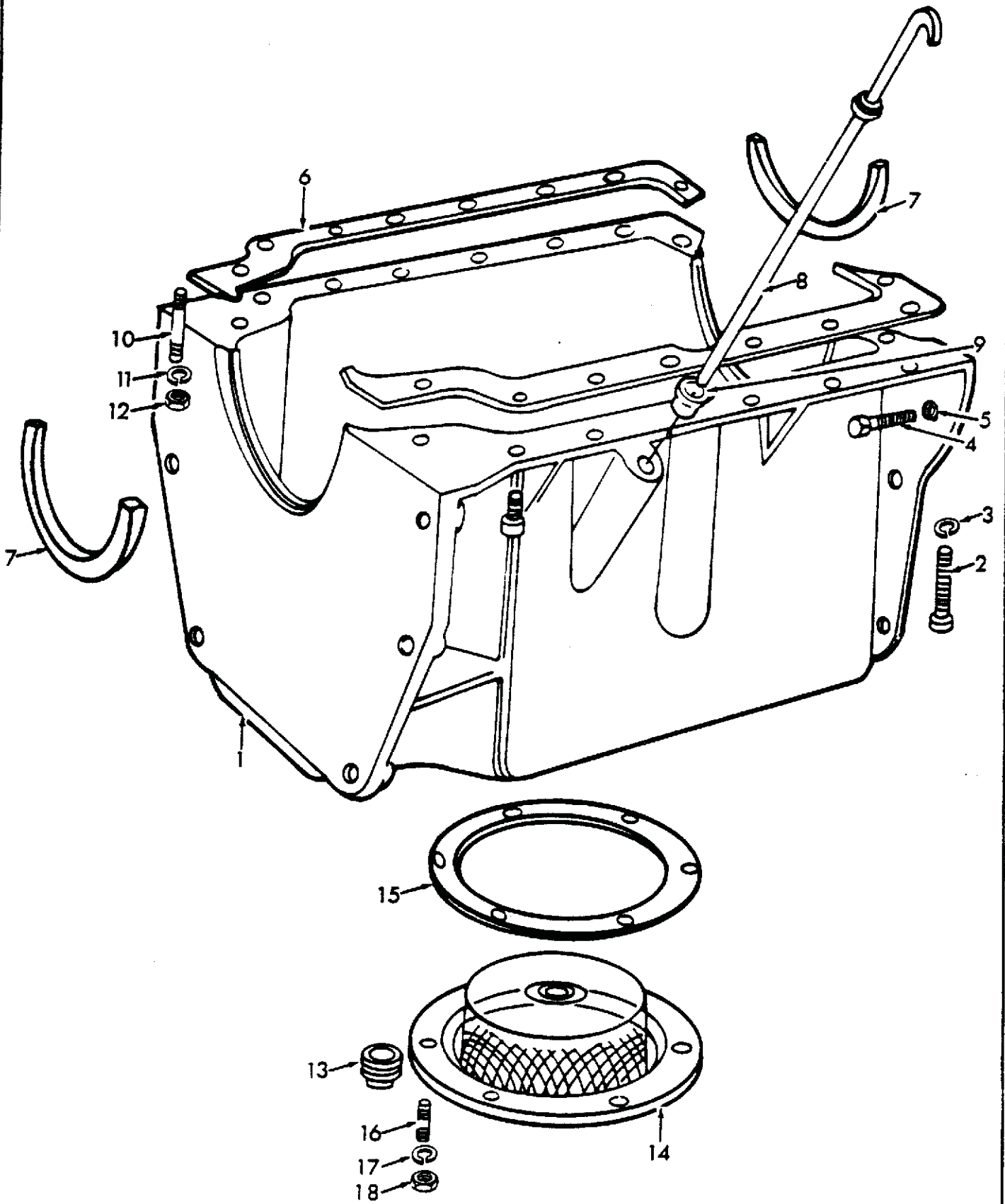


Fig. 23 Oil Pan & Related Parts

DEXTA

FIG.	PART NO.	PART NAME	QTY.	REMARKS	YEAR
23		<u>OIL PAN & RELATED PARTS</u>			
1	957E-6676-B	PAN, Oil (Sump)	1	FTO-E	57/64
-	E193-Z-9	KIT, Gasket, Oil Pan & Front Cover (Refer to Kits Misc. Section for Comp.)	1	FTO-E	57/64
2		BOLT, 5/16-24 x 2-1/2 Hex Hd. (Pan to Block)	2		57/64
3	118355-ES*	WASHER, 11/32 I.D. x 34/64 O.D. x 1/16 Flat	2		5-60/64
4	115816-ES*	BOLT, 3/8-24 x 7/8 Hex Special (Oil Pan to Timing Gear Housing)	8		7-58/64
4	115756-ES*	BOLT, 3/8-24 x 1 Hex Special	8		57/7-58
5		WASHER, 3/8 Lock	8		57/64
6	E125-Z-9	GASKETS, Set, Oil Pan	1	FTO-E	57/64
7	957E-6700	GASKET, Front & Rear	2		57/64
8	957E-6750	INDICATOR, Oil Level	1		57/64
9	957E-6761*	WASHER, Indicator Sealing	1		57/64
10	117464-ES2B*	STUD, 5/16-24 x 2-1/2	2		57/64
11		WASHER, 5/16 Lock	2		57/64
12		NUT, 5/16-24 Hex	2		57/64
-	E3-GC-9*	COVER, Flywheel Housing	1		57/64
-		BOLT, 5/16-18 x 1/2 Hex Hd. (Cover to Pan)	1		57/64
-		WASHER, 5/16 Lock	1		57/64
13	957E-6730-B	PLUG, Drain	1	FTO-E	57/64
14	E23-CE-9*	STRAINER ASSY.	1		57/10-63
14	957E-6622-A*	STRAINER ASSY.	1		10-64/64
15	E18-CE-9	GASKET, Strainer	1		57/10-63
-	957E-6628-A*	SPRING, Strainer	1		10-63/64
16	117461-ES*	STUD, Strainer Cover	6		57/10-63
17		WASHER, 5/16 Lock	6		57/10-63
18		NUT, 5/16-24 Hex	6		57/10-63
-	959E-6759*	PIPE, Crankcase Ventilation	1	Petrol	11-60/64
-	E62A-18481-A	CLAMP, Pipe	1	Petrol - FTO-E	11-60/64
-	97207-S7/8*	CLAMP, Pipe to Oil Filler	1	Petrol	11-60/64
		* No Longer Serviced			

DEXTA

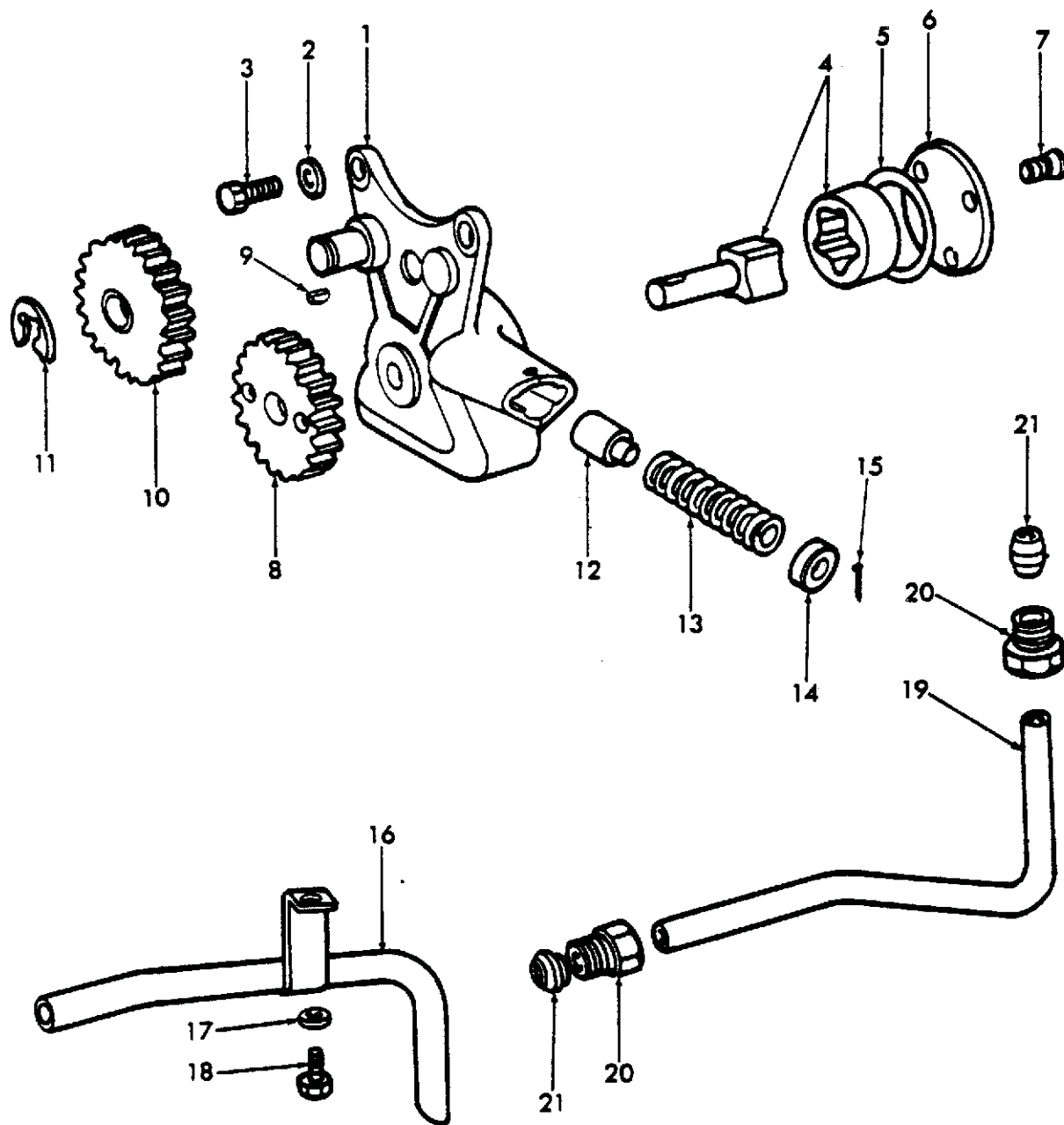


Fig. 24 Oil Pump & Related Parts

DEXTA

FIG.	PART NO.	PART NAME	QTY.	REMARKS	YEAR
24		<u>OIL PUMP AND RELATED PARTS</u>			
-	957E-6600-C	PUMP ASSY., Oil (When using 957E-6600-C to replace 957E-6600-B also use (1) 957E-6613-C Pipe, (1) E99-CF-9 Pipe & (2) 114048-ES Nut)	1		57/64
1	957E-6602-C	BODY & STUD ASSY., Oil	1		57/64
2		WASHER, 5/16 Shakeproof Int. Teeth	3		57/64
3	115681-ES*	BOLT, 5/16-24 x 3/4 Thin Hex Hd.	3		57/64
4	957E-6608	ROTOR & SHAFT ASSY., Pump Drive	1		57/64
5	87157-S95	"O"-RING, Seal	1		57/64
6	957E-6616*	COVER, Oil Pump	1		57/64
7		SCREW, 5/16-24 x 5/8 Flat Hd. Cross Recess	3		57/64
8	957E-6614	GEAR, Oil Pump Drive	1		57/64
9		KEY, 3/32 x 1/2 Woodruff	1		57/64
10	957E-6649	GEAR & BUSHING ASSY., Idler	1		57/64
11	E43-CF-9*	CLIP, Gear Retaining	1		57/64
12	957E-6663-B	PLUNGER, Oil Pressure Relief Valve	1	FTO-E	57/64
13	957E-6654-B	SPRING, Relief Valve	1		57/64
14	957E-6653*	SEAT, Spring	1		57/64
15		PIN, 1/8 x 1-1/4 Cotter	1		2-60/64
-	117746-ES*	NUT, Elbow Connection (Used w/"B" Pump)	2		57/2-60
16	957E-6613-B	PIPE, Oil Pump to Oil Pan	1	FTO-E	57/2-60
16	957E-6613-C	PIPE, Oil Pump to Oil Pan	1	U.S.	57/10-63
16	957E-6613-E*	PIPE, N.S. Replaced by following Parts: (1) E2181-T-9 Pipe Assy. (1) E2182-T-9 Pipe Assy. (1) E2183-T-9 Bushing (1) E2184-T-9 Supp. Bracket			10-63/64
17		WASHER, 1/4 Shakeproof Int. Teeth	1		57/64
18		BOLT, 1/4-28 x 1/2 Hex Hd.	1		57/64
19	E71-CF-9*	PIPE, Oil Pump Delivery	1		57/2-60
19	E99-CF-9*	PIPE, Oil Pump Delivery	1		2-60/64
20	114048-ES	NUT, 5/8 Tubing	1/2	U.S. Only	57/64
21	E73-CF-9*	FERRULE	1/2		57/64
-	119946-ES*	PIN, 1/8 x 1-1/8 Grooved-Idler Gear Stud Retaining	1		57/64
		* No Longer Serviced			

DEXTA

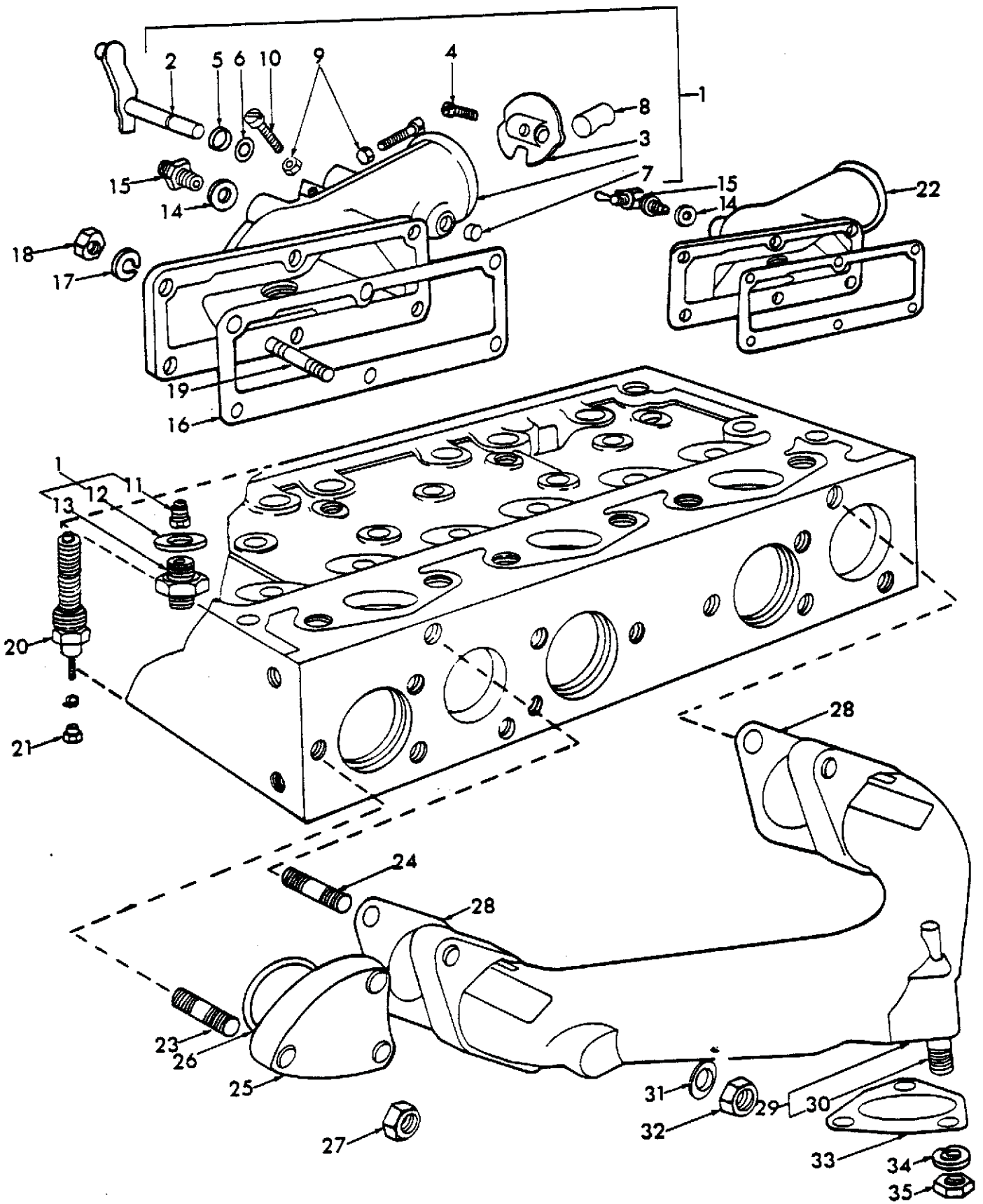


Fig. 25 Inlet & Exhaust Manifold

DEXTA

FIG.	PART NO.	PART NAME	QTY.	REMARKS	YEAR
25		<u>INLET AND EXHAUST MANIFOLD</u>			
1	957E-9428E	MANIFOLD & THROTTLE CONTROL ASSY., Inlet Consists of Manifold plus:	1		57/3-62
2	957E-9581-B	LEVER ASSY., Inlet Manifold Butterfly	1		57/3-62
3	957E-9585*	BUTTERFLY	1		57/3-62
4	115647-ES	SCREW, No. 5-44mm x 7/16 Fill. Hd.	1		57/3-62
		WASHER, 5/16 Flat (Butterfly Lever)	1		57/3-62
6	116509-ES*	SEAL, Butterfly Lever	1		57/3-62
7	E15-CK-9*	PLUS, Lever End	1		57/3-62
8	E12-CK-9*	VENTURI (Auxillary)	1		57/3-62
		NUT, No. 10-32 Hex	2		57/3-62
10	115648-ES	SCREW, No. 10-32 (Lever Adjusting)	2		57/3-62
11	E13-CK-9*	SCREW, Auxillary Venturi Retaining	1		57/3-62
12	118356-ES	WASHER, Venturi Pipe Union	1		57/64
13	E18-CK-9*	UNION, Manifold to Pump Gov. Pipe	1		57/64
14	116065-ES	WASHER, 10mm I.D. x 14mm O.D.	1		57/64
15	E414-CL-9	ATOMISER ASSY.	1	Export Only	57/64
15	E761-CL-9	ATOMISER ASSY.	1	Domestic	57/64
16	957E-9441	GASKET, Manifold to Head	1		57/64
17		WASHER, 5/16 Lock	6		57/64
18		NUT, 5/16-24 Hex	6		57/64
19	117466-ES	STUD, 5/16-24, 5/16-24 x 1-1/4 (Manifold to Head)	6		57/64
20	E197-CK-9	PLUG ASSY., Heater	1		57/64
21	119203-ES	NUT, No. 8-32 Hex	1		57/64
22	957E-9425-B*	MANIFOLD, Inlet	1		4-62/64
23	117495-ES	STUD, 3/8-24, 3/8-24 x 1-7/16 (Cap to Head)	9		9-58/64
23	117463-ES	STUD, 3/8-24, 3/8-24 x 1-7/16 (Cap to Head)	9		57/8-58
-		WASHER, 3/8 Flat (Cap Stud)	9		57/8-58
24	117465-ES	STUD, 5/16-24, 5/16-24 x 1-5/16 (Manifold to Head)	4		57/64
25	E62-CA-9	CAP ASSY., Combustion Chamber	3		57/64
26	957E-6K003	GASKET, Cap to Head	3		57/64
27	117642-ES	NUT, 3/8-24 Special (Cap to Head)	9		57/64
28	957E-9448	GASKET, Exhaust Manifold	2		57/64
29	957E-9430-B	MANIFOLD ASSY., Exhaust (Horizontal)	1		57/64
-	957E-9430-A	MANIFOLD ASSY., Exhaust (Vertical) Consists of Manifold plus:	1		57/64
30	117467-ES	STUD, 5/16-24, 5/16-24 x 1-5/16	3		57/64
31		WASHER, 5/16 Flat (Manifold to Head)	4		57/64
32	117622-ES	NUT, 5/16-24 (Manifold to Head)	4		57/64
33	957E-9446	GASKET, Manifold Outlet Flange	1	Diesel	57/64
33	959E-9446*	GASKET, Manifold Outlet Flange	1	Gasoline-Petrol	60/64
34		WASHER, 5/16 Lock (Heavy)	3		57/64
35	117622-ES	NUT, 5/16-24 (Manifold Outlet Flange)	3		57/64
-	959E-9488	ADAPTOR, Vertical Silencer	1	FTO-E Gas-Petrol	60/64
-		WASHER, 3/8 Lock	2	Gas-Petrol	60/64
-	114065-ES	NUT, 3/8-16 Hex Special (Adaptor to Manifold)	2	Gas-Petrol	60/64
-		PIN, 1/8 x 1-1/4 Cotter/Split	1	Gas-Petrol	60/64
		* No Longer Serviced			

DEXTA

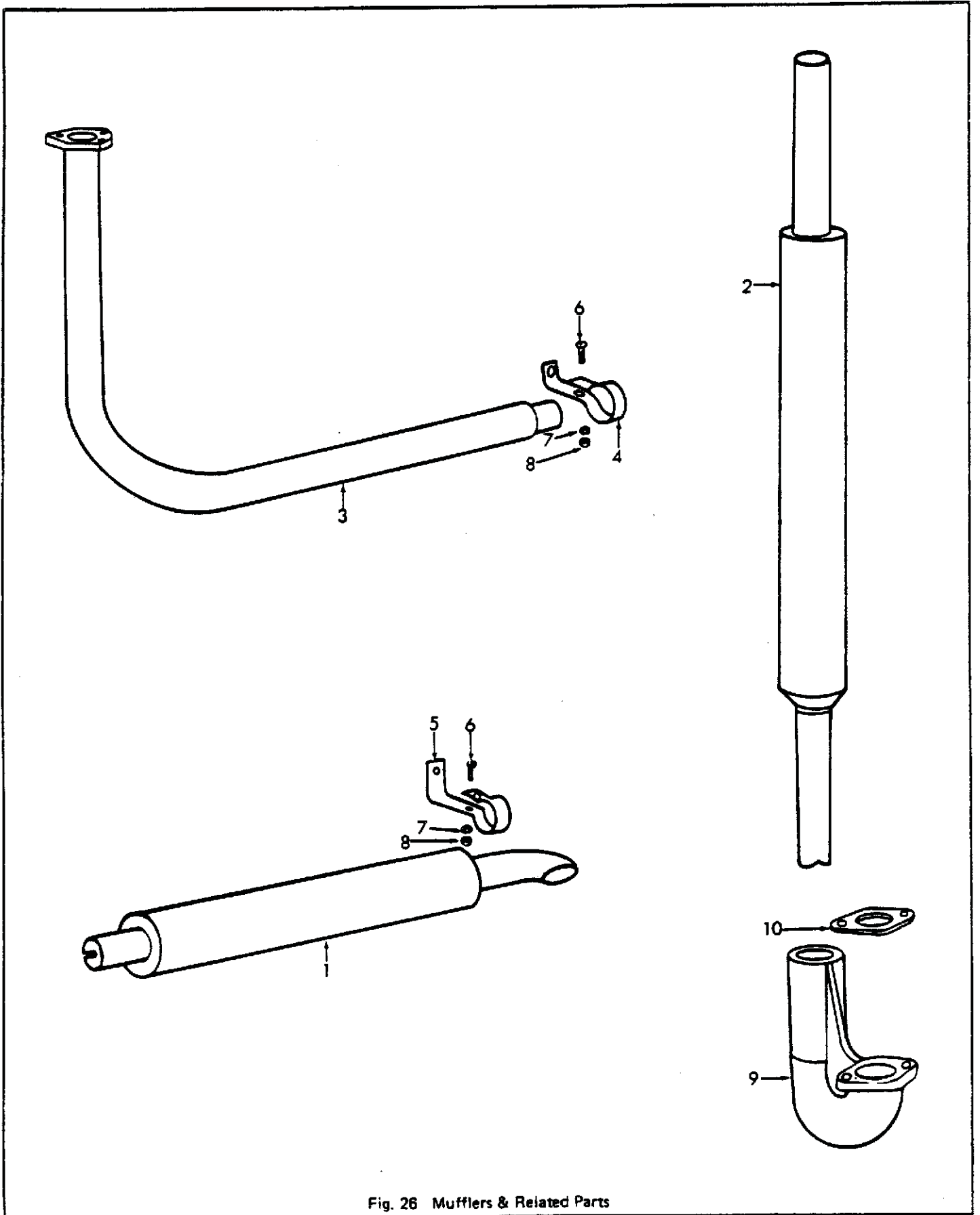


Fig. 26 Mufflers & Related Parts

DEXTA

FIG.	PART NO.	PART NAME	QTY.	REMARKS	YEAR
26		<u>MUFFLERS AND RELATED PARTS</u>			
1	957E-5230-C	MUFFLER ASSY.	1	Horizontal	57/64
2	957E-5230-D	MUFFLER ASSY.	1	Vertical	57/64
2	959E-5230	MUFFLER ASSY.	1	FTO-E Petrol	11-60/64
3	957E-5250-B	PIPE, Inlet	1		57/64
4	957E-5270	BRACKET, Inlet Pipe	1		57/64
5	957E-5256*	BRACKET, Tail Pipe	1		57/64
6		BOLT, 5/16-18 x 1-1/4 Carr.	2		57/5-58
6		BOLT, 5/16-24 x 1-1/4 Carr.	2		5-58/64
7		WASHER, 5/16 Lock	2		57/64
8		NUT, 5/16-18 Hex	2		57/5-58
8		NUT, 5/16-24 Hex	2		5-58/64
9	959E-9488	ADAPTOR, Vertical Muffler	1	FTO-E Petrol	11-60/64
-		WASHER, 3/8 Lock	2		11-60/64
-	114065-ES*	NUT, 3/8-16 Hex Special - Adaptor to Manifold Stud	2		11-60/64
10	959E-9446	GASKET	1		11-60/64
		* No Longer Serviced			

DEXTA

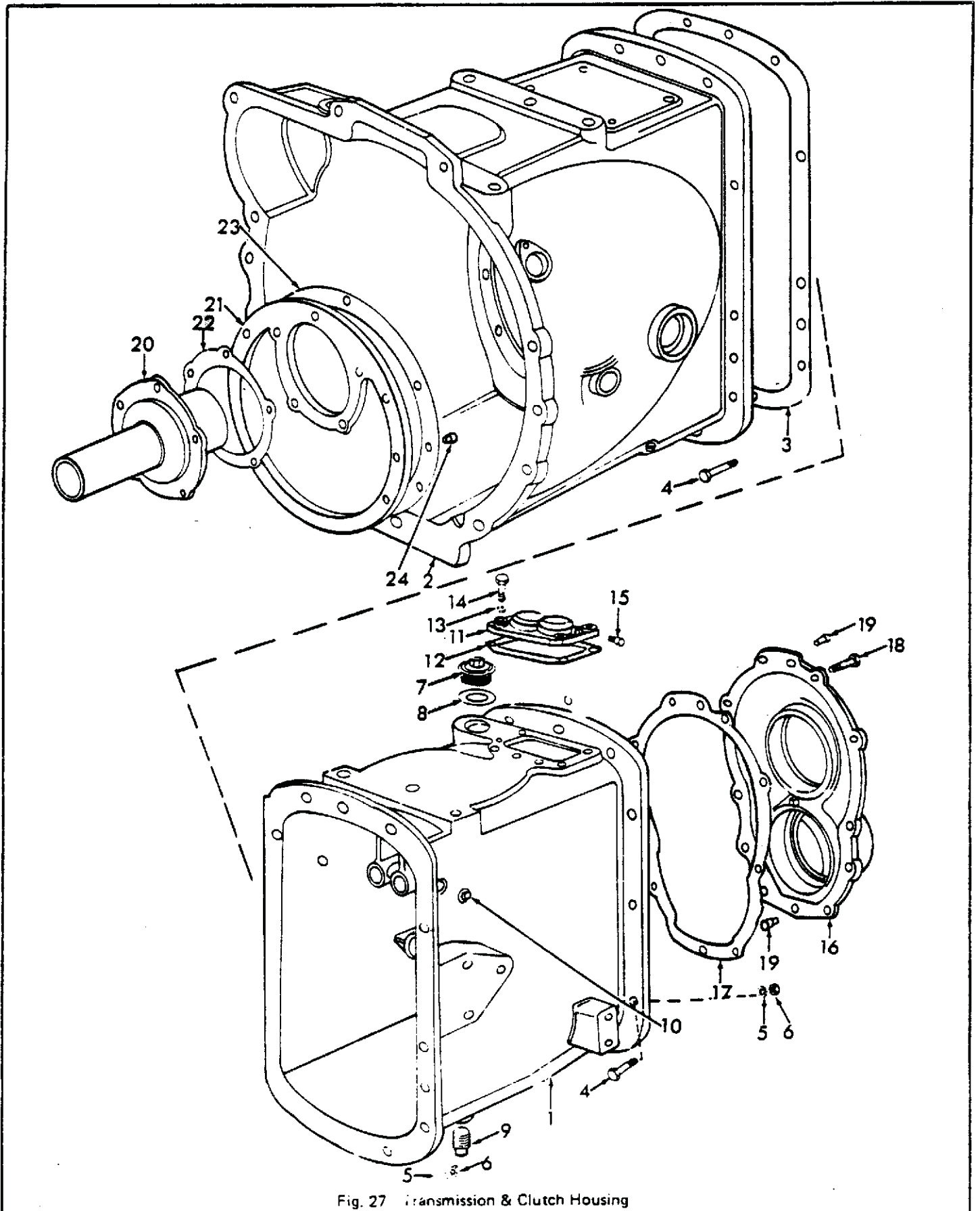


Fig. 27 Transmission & Clutch Housing

DEXTA

FIG.	PART NO.	PART NAME	QTY.	REMARKS	YEAR
27		<u>TRANSMISSION AND CLUTCH HOUSING</u>			
1	957E-7006*	HOUSING ASSY., Transmission	1		57/64
1	960E-7006*	HOUSING ASSY., Transmission	1	Special Ratio	4-62/64
2	957E-7501-C*	HOUSING ASSY., Clutch	1		57/64
3	E61-GA-9	GASKET	1		57/64
4		BOLT, 7/16-14 x 1-5/8 Hex Hd. - Clutch & Rear Axle Housing to Trans. Housing	17		57/64
5		WASHER, 7/16 Lock	17		57/64
6		NUT, 7/16-14 Hex	16		57/64
7	957E-7010	PLUG, Filler	1		57/64
8	E27N-7011-B	GASKET, Plug	1		57/64
9	353051-ES	PLUG, 3/4 Pipe Sq. Hd. - Drain	1		57/64
-		PLUG, 1/4-18 Pipe - Oil Level	1		57/64
10	E41-GB-9*	CAP, Shaft Interlock	1		57/64
11	957E-7222	HOUSING, Gear Change Levers	1		57/64
12	957E-7223	GASKET, Housing	1		57/64
13		WASHER, 5/16 Lock	4		57/64
14		BOLT, 5/16-18 x 7/8 Hex Hd.	4		57/64
15	C7NN-7N441-A	PIN, Lever Locating	1		57/64
16	957E-7049-B*	RETAINER, Output Shaft Bearing	1		57/64
17	957E-7086-B	GASKET, Retainer	1		57/64
18		BOLT, 3/8-16 x 1-1/8 Hex Hd. (Ret. to Hsg.)	10		57/64
19	E1ADKN-7512	DOWEL	10	FTO-E	57/64
20	E71-GD-9	SUPPORT, Clutch Release Bearing <i>also Live PTO</i>	1	Less Live P.T.O.	57/64
21	E69-GD-9*	PLATE, Support	1		57/64
22	E73-GD-9	GASKET, Support to Plate	1		57/64
23	E70-GD-9	GASKET, Plate	1		57/64
24	E1ADKN-7021*	DOWEL	1		57/64
-	115422-ES	PLUG, Expansion	1		7-59/64
		* No Longer Serviced			

DEXTA

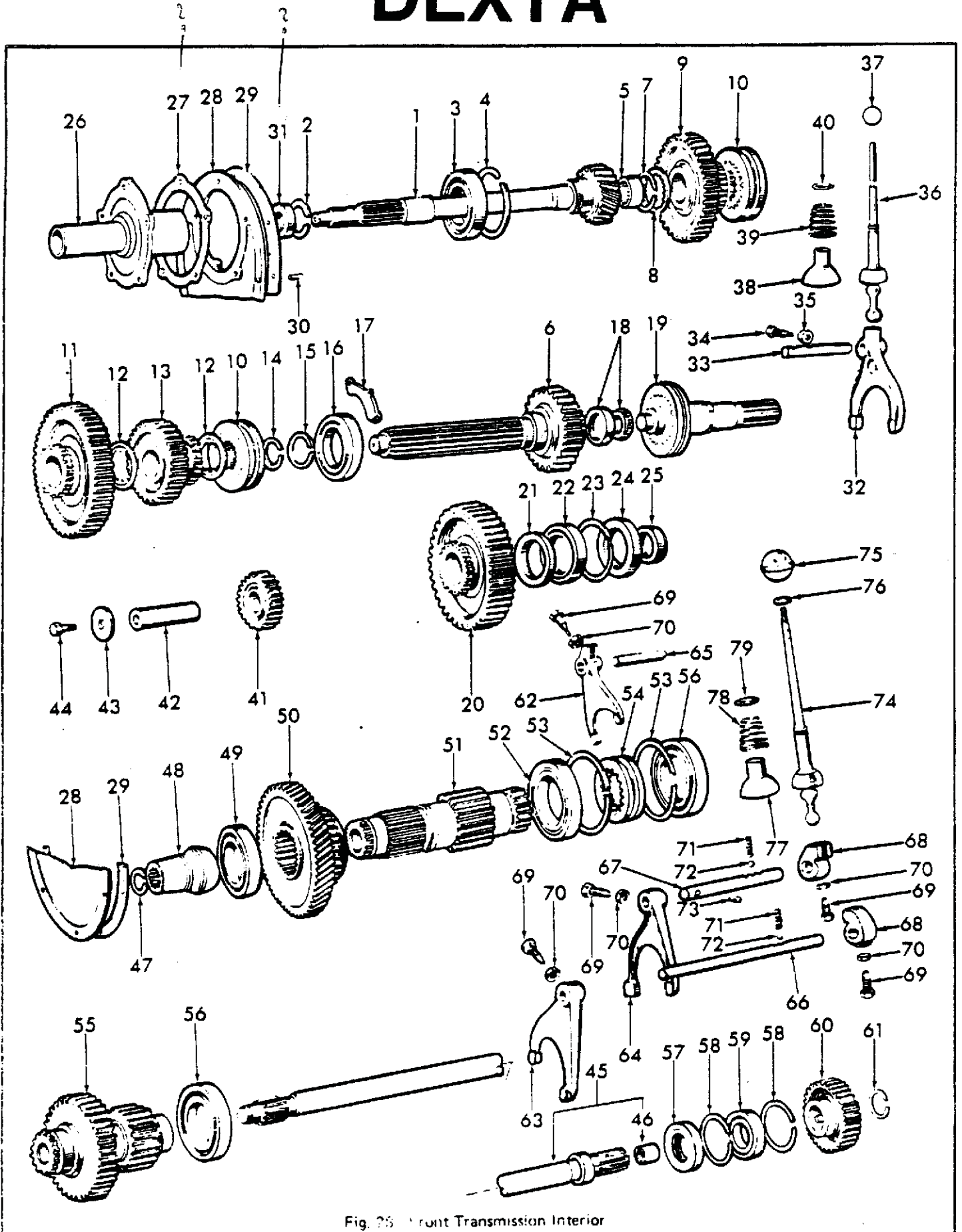


Fig. 26 Front Transmission Interior

DEXTA

FIG.	PART NO.	PART NAME	QTY	REMARKS	YEAR
28		<u>FRONT TRANSMISSION INTERIOR</u>			
1	957E-7017-C	SHAFT, Drive	1		57/64
1	960E-7017	SHAFT, Drive	1	Super Dexta	4-62/64
2	508E-7064-A	RING, Bearing Lock	1		57/64
3	N-115069-A	BEARING ASSY., Drive Shaft	1	FTO-E	57/64
4	957E-7026*	RING, Bearing Lock	1		57/64
5	C5NN-3N655-A	BEARING, Main Shaft	1		57/64
5	C5NN-7120-B	BEARING, Main Shaft	1	Super Dexta	4-62/64
6	957E-7061-E	SHAFT, Main 28 Teeth	1		57/64
6	957E-7061-F	SHAFT, Main 31 Teeth (Special Ratio)	1	FTO-E	57/4-62
6	957E-7061-J*	SHAFT, Main (Special Ratio)	1		4-62/64
6	960E-7061-A	SHAFT, Main	1	Super Dexta	4-62/64
6	960E-7061-C	SHAFT, Main (Special Ratio)	1	Super Dexta	4-62/64
7	957E-7160	RING, Bearing Lock	1		2-60/64
8	957E-7071-B	WASHER, Thrust	1		57/64
9	957E-7101-B	GEAR, 2nd & 5th 41 Teeth	1		57/64
10	D6NN-7N072-C	CONNECTOR & COUPLING ASSY.	2		57/64
11	957E-7100-C	GEAR, 1st & 3rd 49 Teeth	1		57/64
12	957E-7728-A	WASHER, Thrust	2		57/64
13	957E-7144-C	GEAR, Reverse Idler-Driven 30 Teeth	1		57/64
14	E46-GA-9	RING, Lock (Use with Main Shaft that has broken Snap Ring Groove)	2		57/2-60
15	957E-732	RING, Lock	1		8-60/64
16	N-115069-B	BEARING, Main Shaft	1		57/64
17	E65-GA-9*	PLATE, Large Bearing Retainer	1		57/64
-		BOLT, 5/16-18 x 3/4 Hex Self Locking	2		57/8-60
17	E541-GA-9	PLATE (Special Ratio)	1		4-62/64
-		BOLT, 1/4-20 x 3/4 Hex Self Locking	2		4-62/64
18	E76-GA-9	BEARING ASSY., Pilot Sec. Output Shaft	1		57/64
19	E345-GA-9	COUPLING & SHAFT ASSY., Change Sliding	1	FTO-E	57/64
19	E488-GA-9	COUPLING & SHAFT ASSY., Change Sliding	1	FTO-E Super Dexta	4-62/64
20	E49-GA-9	GEAR, Secondary Output Shaft	1	FTO-E	57/64
20	E540-GA-9	GEAR (Social Ratio)	1		4-62/64
21	E63-GA-9	WASHER, Thrust	1	FTO-E	57/64
22	E53-GA-9	BEARING	1	FTO-E	57/64
23	E1ADKN7261	RING, Lock	1		57/64
24	E42-GA-9	SEAL, Retainer	1		57/64
25	E51-GA-9	SLEEVE	1	FTO-E	57/64
26	E71-GD-9	SUPPORT, Clutch Release Bearing 910	1	Except w/Live P.T.O.	57/64
27	E73-GD-9	GASKET	1		57/64
28	E69-GD-9*	PLATE, Hub Support	1		57/64
29	E70-GD-9	GASKET	1		57/64
30	E1ADKN7021*	DOWEL	2		57/64
31	E81-GD-9	SEAL, Oil	1		57/64
-	E48-GA-9	SHAFT, Secondary Output	1	FTO-E	57/8-60
		* No Longer Serviced			

DEXTA

FIG.	PART NO.	PART NAME	QTY.	REMARKS	YEAR
28		<u>FRONT TRANSMISSION INTERIOR (CONT'D)</u>			
32	E343-GA-9*	FOR, Secondary-Gear Change	1		57/64
33	E67-GA-9	SHAFT	1	FTO-E	57/64
34	957E-7245	SCREW, Fork Lock	1		57/64
35		NUT, 3/8-24 Hex Check	1		57/64
36	E439-GB-9	LEVER, Secondary Gear Change	1		57/64
37	E167-GB-9*	BALL, Lever	1		7-60/2-62
-	E168-GB-9*	RETAINER, Ball	1		7-60/2-62
37	E440-GB-9	BALL, Lever	1		2-62/64
38	C5NN-7N309-A	RETAINER	1		57/64
39	N-7227	SPRING	1		57/64
40	N-7228	RING, Lock	1		57/64
41	957E-7141-B	GEAR ASSY., Reverse Idler 25 Teeth	1		57/64
42	960E-7140*	SHAFT	1		57/64
43	118257-ES*	WASHER, 3/8 I.D. x 1-1/8 O.D. x 1/8 Flat	1		57/8-60
43	116238-ES*	WASHER, 5/16 I.D. x 1-3/4 O.D. Flat Special	1		8-60/64
-	116045-ES*	RETAINER, Reverse Idler Gear	1		57/8-60
44	BB-5721-B*	BOLT, Idler Gear Tie	1		57/8-60
44		BOLT, 5/16-24 x 7/8 Hex Self Locking	1		8-60/64
45	957E-701	COUNTERSHAFT ASSY., P.T.O. Consists of Countershaft plus:	1		57/64
46	Y-7118-A*	BUSHING	1		57/64
47	E56-GE-9*	RING, Snap	1		57/64
48	E54-GE-9*	COUPLING, P.T.O. Drive	1	Less Live P.T.O.	57/64
49	N-115089-B	BEARING, Countershaft	1		57/64
50	C5NN-7113-G	GEAR, Countershaft (When replacing 957E-7113-A or B with C5NN-7113-G also replace 957E-7017-A with "C" & 957E-7101-A with "B")	1		8-60/64
51	957E-7111-D	COUNTERSHAFT, Main	1		57/64
52	E1ADKN-7025	BEARING	1	FTO-E	57/8-60
52	E1ADDN-7025-A	BEARING	1	U.S.	57/64
			1	FTO-E	8-60/64
53	E1ADKN-77014	RING, Gear Lock	2		57/64
54	957E-7123*	COUPLING	1		57/64
55	E418-GA-9	GEAR, Countershaft Secondary	1		57/64
55	E417-GA-9*	GEAR, Secondary (Special Ratio)	1		8-60/4-62
55	E538-GA-9	GEAR, Secondary (Special Ratio)	1	FTO-E	4-62/64
56	E1ADKN-7025-A	BEARING	2	FTO-E	57/8-60
56	E1ADDN-7025-A	BEARING	2	U.S.	57/64
			2	FTO-E	8-60/64
57	E62-GE-9	SEAL ASSY., P.T.O. Countershaft	1		57/64
58	957E-790	RING, Lock	2		57/64
59	E75-GE-9	BEARING	1		57/64
60	957E-907	GEAR	1		57/64
61	E1ADKN-7256	RING, Lock	1		57/64
		* No Longer Serviced			

DEXTA

FIG.	PART NO.	PART NAME	QTY	REMARKS	YEAR
28		<u>FRONT TRANSMISSION INTERIOR (CONT'D)</u>			
62	957E-7230*	FORK, Gear Change 4th & 6th	1		57/64
63	957E-7231*	FORK, Gear Change 1st, 2nd, 3rd & 5th	1		57/64
64	957E-7243*	FORK, Reverse	1		
65	957E-7242*	SHAFT, Reverse	1		57/64
66	957E-7240	SHAFT, Main Gear Change	1		57/64
67	957E-7241	SHAFT, Reverse, 4th & 6th	1		57/64
68	E68-GA-9*	CONNECTION (Replaced by (2) E348-GA9 Conn. & (1) 957E-7210-C Lever)	2		57/7-58
68	E348-GA-9	CONNECTION	2		7-58/64
69	957E-7245	SCREW, Lock	1	Germany Only	7-58/64
70		NUT, 3/8-24 Hex Check	5		57/64
71	79-7234	SPRING	5		57/64
72	353075-S	BALL, 3/8 Steel	3		57/64
73	957E-7229*	INTERLOCK	1		57/64
-	E41-GB-9*	CAP, Interlock	1		57/64
74	957E-7210-C	LEVER, Shift	1		57/64
75	957E-7213-A	BALL, Lever	1		57/64
76		NUT, 5/16-24 Hex Check	1		57/64
77	C5NN-7N309-A	RETAINER, Lever	1		57/64
78	N-7227	SPRING	1		57/64
79	N-7228	RING, Lock	1		57/64
-	116325-ES*	PIN, 3/8 x 1-5/16 Straight-Shaft	3		
		* No Longer Serviced			

DEXTA

GEAR REPLACEMENT

Since the introduction of the 'new ratio' gearbox at Tractor Serial No.957E-63953 (August 1960), certain of the old ratio gears are being progressively discontinued in service as existing stocks are exhausted.

The chart which appears below will identify and indicate to dealers the additional meshing gears required when replacing and old ratio gear by the corresponding gear of the new ratio.

When replacing and old ratio gear, the new ratio gears in the same group (i.e. I, II, III or IV) must be supplied. For any additional changes or re-work necessary refer to Tactor Service Letter No.4, 1962 series.

Group	Old Ratio Part No.	Description	Old Ratio Identification	New Ratio Part No.	New Ratio Identification
I	957E-772-A*	Shaft (Live P.T.O. Input)	19 Teeth	957E-772-B	17 Teeth
	957E-792-A*	Countershaft (Driveing Gear)	55 Teeth	957E-792-B	57 Teeth
II	957E-7017-A*	Main Drive Shaft	19 Teeth	957E-7017-C	17 Teeth
	957E-7113-A*	Countershaft Gear	55 and 28 Teeth	957E-7113-B	57 and 24 Teeth
	957E-7101-A*	2nd/5th Gear	37 Teeth	957E-7101-B	41 Teeth
III	957E-7111-A*	Countershaft	17 Teeth	957E-7111-D	16 Teeth
	957E-7100-A*	1st/3rd Gear	48 Teeth	957E-7100-C	49 Teeth
	957E-7144-A*	Reverse Gear	31 Teeth	957E-7144-C	30 Teeth
	957E-7141-A*	Reverse Idler Gear	24 Teeth	957E-7141-B	25 Teeth
	-	Thrust Washer	-	957E-7728	2 Required
IV	E58-GA-9*	Secondary Trans. Countershaft	36 and 20 Teeth	E418-GA-9	37 and 20 Teeth
	957E-7061-A*	Main Shaft	29 Teeth	957E-7061-E	28 Teeth

* No Longer Serviced

DEXTA

DEXTA

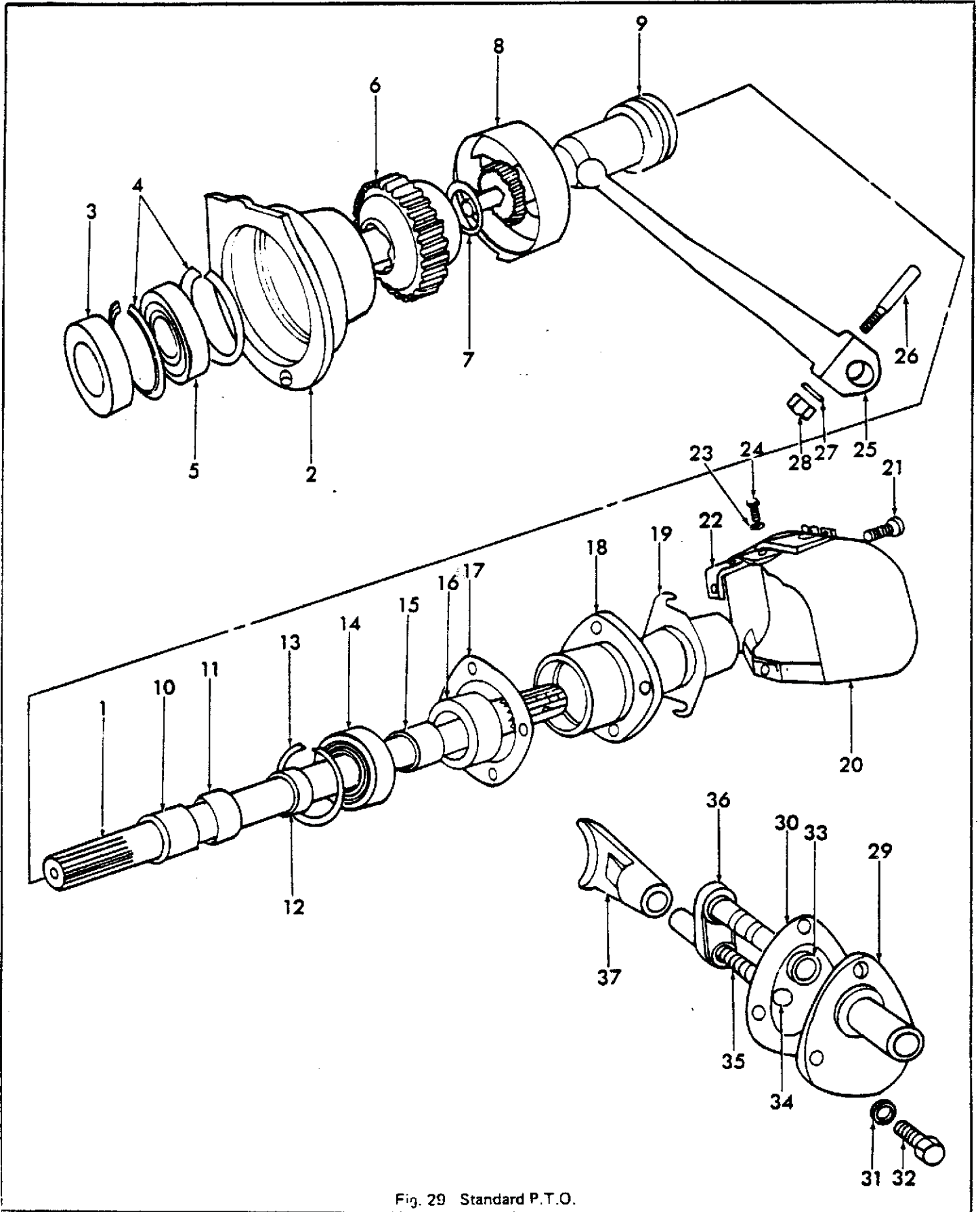


Fig. 29 Standard P.T.O.

DEXTA

FIG.	PART NO.	PART NAME	QTY	REMARKS	YEAR
29		<u>STANDARD POWER TAKE-OFF</u>			
1	957E-725	SHAFT, Drive	1		57/64
2	957E-7049-B*	RETAINER	1		57/64
3	E62-GE-9	SEAL ASSY.	1		57/64
4	957E-790	RING, Snap	2		57/64
5	E75-GE-9	BEARING	1		57/64
6	957E-907	GEAR, Drive	1		57/64
7	E1ADKN-7256	RING, Lock	1		57/64
8	E92-GF-9	SHROUD	1	FTO-E	57/64
9	E66-GE-9	SHAFT & SLEEVE ASSY., Dog Clutch	1		57/64
10	957E-797	SLEEVE, Front	1		57/64
11	957E-798*	BUSHING, Front	1		57/64
12	957E-735*	SLEEVE, Front	1		57/64
13	957E-754	RING, Snap-Rear	1		57/64
14	957E-712-A	BEARING	1		57/64
15	957E-756	SLEEVE, Rear	1		57/64
16	957E-703-A	SEAL ASSY.	1		57/64
17	957E-4129	GASKET	1		57/64
18	957E-733	COVER	1		57/64
19	957E-726	COVER, Extension	1		57/64
20	957E-7470	GUARD ASSY.	1		57/64
21		BOLT, 7/16-14 x 1-1/8 Hex Hd. - Cover to Housing	4		57/64
22	E156-GE-9*	BRACKET ASSY., Upper	1		1-62/64
24		BOLT, 5/16-24 x 3/4 Hex - Bracket to Guard	1		1-62/64
25	957E-723*	LEVER, Shifter	1		57/64
26	E68-GE-9	PIN, Locking	1		57/64
27		WASHER, 1/4 Lock	1		57/64
28		NUT, 1/4-28 Hex	1		57/64
29	957E-721	PLATE	1		57/64
30	E64-GE-9*	GASKET	1		57/64
31		WASHER, 7/16 Lock	3		57/64
32		BOLT, 7/16-14 x 1 Hex Hd. - Plate to Hsg.	3		57/64
33	EOA-7288-A*	SEAL	1		57/1-60
33	87035-S95	"O"-RING	1		1-60/64
34	353075-S	BALL	1		57/64
35	BB-7234	SPRING	1		57/64
36	E67-GE-9	ARM	1		57/64
37	957E-720	FORK	1		57/64
		* No Longer Serviced			

DEXTA

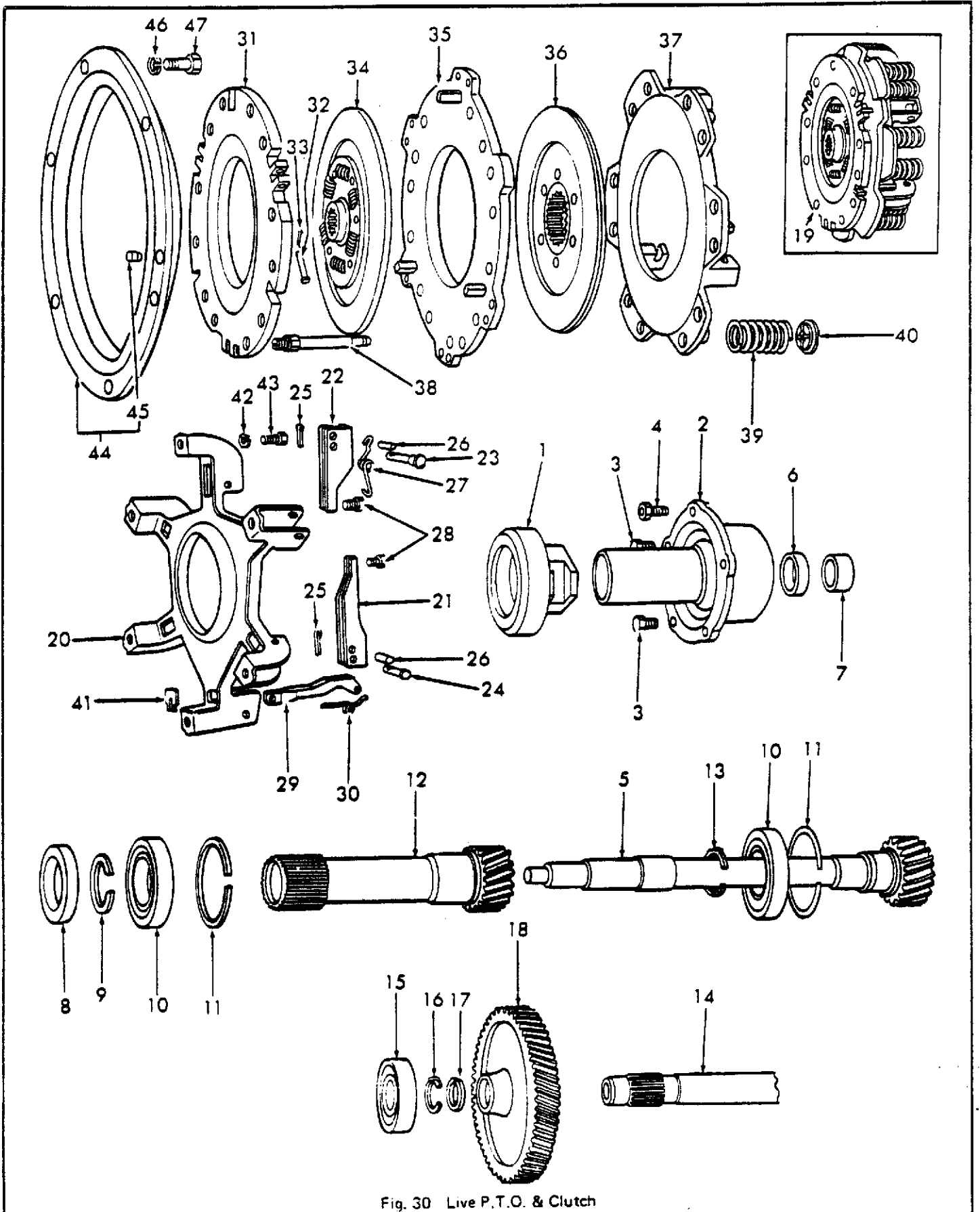


Fig. 30 Live P.T.O. & Clutch

DEXTA

FIG.	PART NO.	PART NAME	QTY.	REMARKS	YEAR
30		<u>LIVE POWER TAKE-OFF & CLUTCH</u>			
1	957E-7548-B	HUB & BEARING ASSY.	1		57/64
2	E72-GD-9	SUPPORT, Bearing	1	FTO-E	57/64
3		BOLT, 3/8-16 x 7/8 Hex Drilled Hd.	4		57/8-60
3		BOLT, 3/8-16 x 1 Hex Hd.	4		8-60/64
4		BOLT, 3/8-16 1-3/8	1		57/8-60
4		BOLT, 3/8-16 x 1-1/2	1		57/8-60
5	957E-7017-C	SHAFT, Drive	1		57/64
5	960E-7017	SHAFT, Drive	1	Super Dexta	4-62/64
6	957E-727-A	SEAL ASSY., Oil	1		57/64
7	E61-GD-9	BEARING	1		57/64
8	E59-GE-9	SEAL, Oil	1		57/64
9	957E-732	RING, Snap	1		57/64
10	N-115069-B	BEARING	2		57/64
11	957E-7026*	RING, Lock	2		57/64
12	957E-772-A	SHAFT, Input	1		57/8-60
12	957E-772-B	SHAFT, Input	1		8-60/64
13	508E-7064-A	RING, Lock	1		57/64
14	957E-701	COUNTERSHAFT ASSY.	1		57/64
15	E52-GE-9	BEARING, Front	1		57/64
16	E97-GE-9	RING, Gear Lock	1	FTO-E	57/64
16	C7NN-B781-A	RING, Gear Lock	1		57/64
17	C7NN-B777-A	WASHER, Thrust	1		8-60/64
18	957E-792-A*	GEAR, Countershaft	1	Rep'l. by 957E-772-B & 957E-792-B	57/8-60
18	957E-792-B	GEAR, Countershaft	1	U.S.	8-60/64
18	C7NN-791-B	GEAR, Countershaft	1		8-60/64
-	311435	CLUTCH ASSY., Double (See PA-8800 for Components)	1	U.S. Only	57/64
19	957E-7502-B	CLUTCH ASSY., Double	1	FTO-E	57/4-62
19	960E-7502	CLUTCH ASSY., Double	1	FTO-E	4-62/64
		Consists of:			
20	957E-7570	COVER	1		57/64
21	957E-7591	LEVER, Main	3		57/64
22	E10-GC-9	LEVER, Release	3		57/64
23	E9-GC-9	PIN, Lever Yoke	3		57/64
24	957E-7556-B	PIN, Lever Yoke	3		57/64
25		PIN, 3/16 x 1/2 Cotter	6		57/64
26	354519-ES18	PIN, 1/4 x 1 Straight	6		57/64
27	E21-GC-9	SPRING, Release Lever	3		57/64
28	354518-S	SCREW	6		57/64
29	E77-GC-9	STRUT	3		57/64
30	E22-GC-9	SPRING, Main	3		57/64
31	957E-7566	PLATE, Pressure	1		57/64
32	E18-GC-9	PIN	1	FTO-E	57/64
33		PIN, 3/16 x 1/2 Cotter	3		57/64

* No Longer Serviced

DEXTA

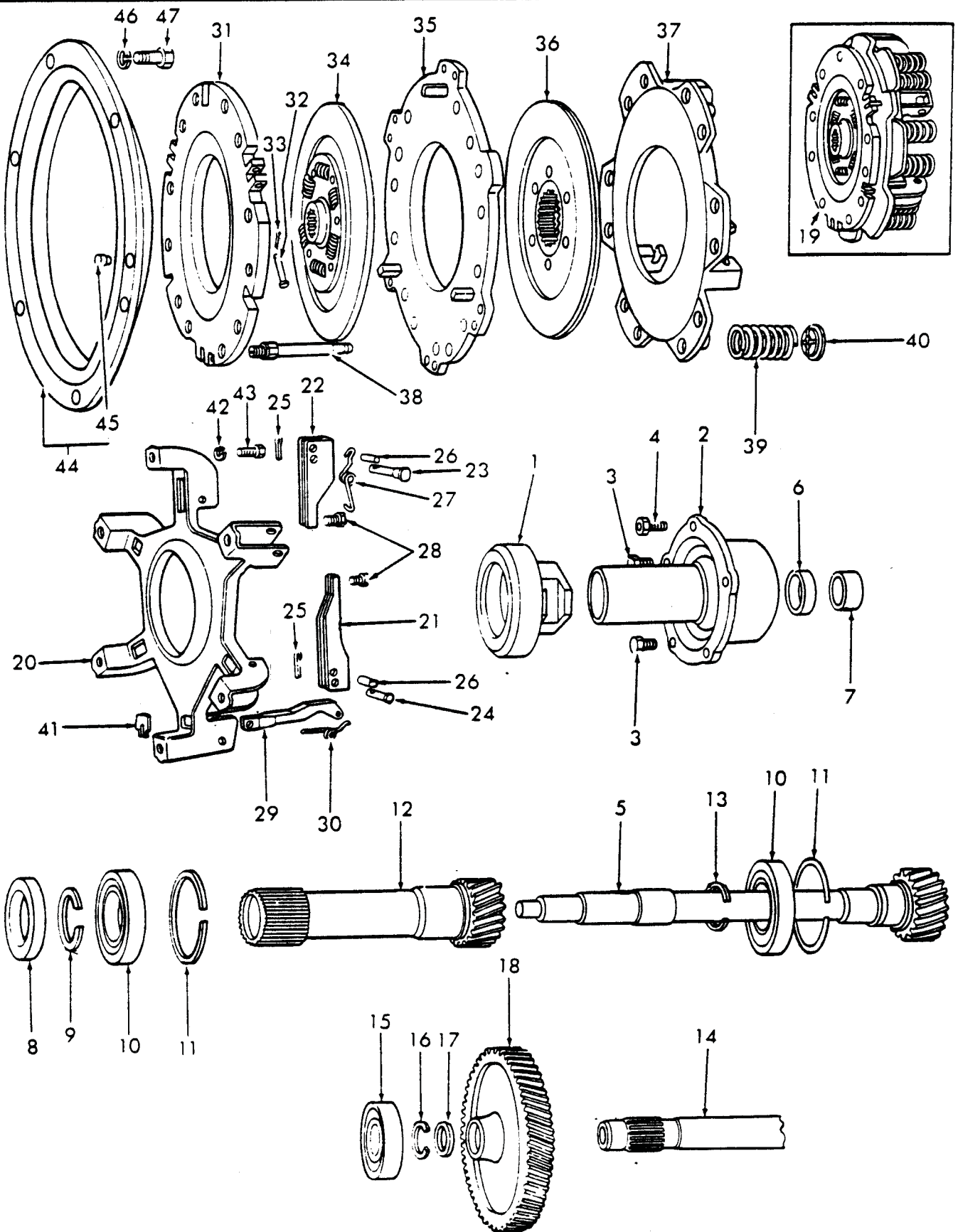


Fig. 30 Live P.T.O. & Clutch

DEXTA

FIG.	PART NO.	PART NAME	QTY.	REMARKS	YEAR
30		<u>LIVE POWER TAKE-OFF & CLUTCH (CONT'D)</u>			
34	957E-7550-D*	DISC ASSY., Clutch (Replaced by 960E-7550)	1		57/64
34	960 E-7550	DISC ASSY., Clutch	1		4-62/64
-	40-7549	FACING, Disc	2	Part of 957E-7550-D	57/64
-	960-E-7549	FACING, Disc (Part of 960E-7550)	2	FTO-E	4-62/64
-	119425-ES*	RIVET, 5/32 x 5/32 Flat C'sunk Hd.	24		57/64
-		RIVET, 5/32 x 3/16 Flat Hd.	6		57/64
-	957E-7550-C*	DISC (Part of 960E-7550)	1	FTO-E	4-62/64
-	957E-7554-B	HUB (Part of 957E-7550-D)	1	FTO-E	57/64
-	B-7555*	RIVET, Disc to Hub (Part of 960E-7550)	1	FTO-E	4-62/64
35	E8-GC-9	PLATE ASSY., Drive	1		57/64
36	E55-GC-9	DISC ASSY., Clutch	1		57/64
		Consists of Hub & Disc plus:			
-	957E-7549-C	FACING	2	FTO-E	4-62/64
-	117257-ES*	RIVET, Facing to Disc	12	FTO-E	57/64
-	B-7555*	RIVET, Disc to Hub	6		57/64
37	E50-GC-9	PLATE, Pressure	1	FTO-E	57/64
38	E23-GC-9	ROD	12		57/64
39	311432	SPRING	12	Rep'l. 957E-7572-B	57/64
40	E16-GC-9*	SEAT, Spring	12		57/64
41	354502-S	RETAINER	12		57/64
-	957E-7574*	PLATE, Disc Face Cushion	6	FTO-E	4-62/64
-	E48-7625	WASHER, Disc to Driven Plate	1	FTO-E (Part of 957E-7550-D)	57/64
-	EOA-7628	PIN (Part of 957E-7550-D)	3	FTO-E	57/64
42		WASHER, 5/16 Lock	6		57/64
43	354550-S*	BOLT, 5/16-18 x .72 Hex Shoulder	6		57/64
44	E82-GC-9*	PLATE ASSY., Drive Adaptor	1		57/64
		Consists of Plate plus:			
45	E1ADKN-7021*	DOWEL, Plate to Flywheel	2		57/64
46		WASHER, 3/8 Lock	6		57/64
47		BOLT, 3/8-16 x 1 Hex Hd.-Plate to Flywheel	6		57/64
		* No Longer Serviced			

DEXTA

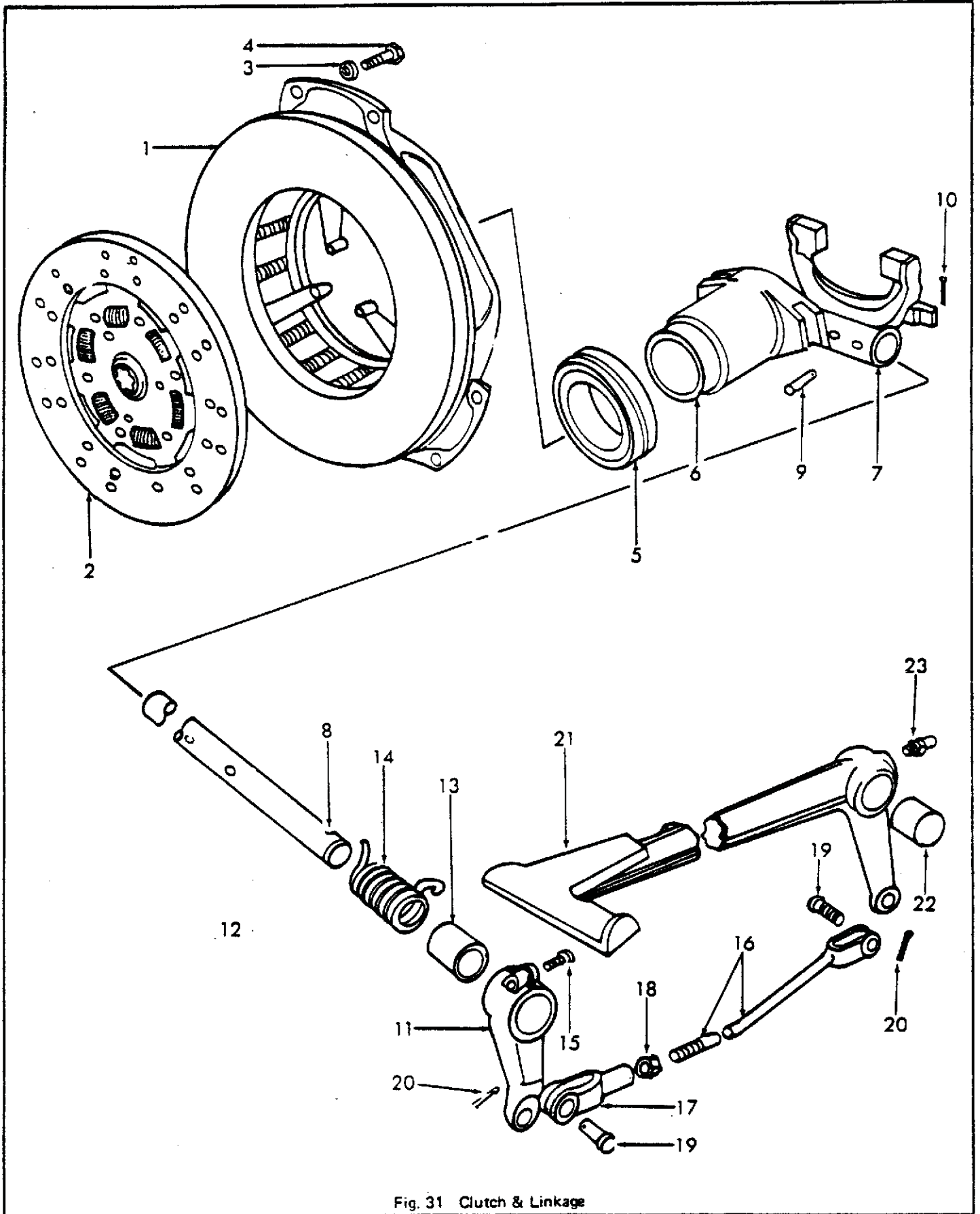


Fig. 31 Clutch & Linkage

DEXTA

FIG.	PART NO.	PART NAME	QTY	REMARKS	YEAR
31		<u>CLUTCH AND LINKAGE</u>			
1	957E-7563-B	PLATE & COVER ASSY., Clutch Pressure	1	Less Live P.T.O.	57/64
2	957E-7550-A	DISC ASSY.	1	Less Live P.T.O.	57/64
3		WASHER, 5/16 Lock	6		
4	350433-S	BOLT, Cover to Flywheel	6		
5	E1ADKN-7580-B	BEARING ASSY., Release	1	Less Live P.T.O.	57/64
5	78-7580-A8	BEARING ASSY., Release (C)	1	Less Live P.T.O.	57/64
6	957E-7561-A	HUB (Less Live P.T.O.)	1	FTO-E	57/64
7	957E-7515*	FORK, Operating	1		57/64
8	957E-7510*	SHAFT, Releasing	1		57/64
9	48-7565	PIN, Shaft to Fork	1	Export Only	57/64
10		PIN, 3/32 x 3/4 Cotter	1	Export Only	57/64
11	957E-7511-A*	ARM	1	With Live P.T.O.	57/64
11	957E-7511-B*	ARM	1	Less Live P.T.O.	57/64
12		KEY, 3/16 x 7/8 Woodruff (Arm to Shaft)	1		57/64
13	40-7508*	BUSHING			
14	957E-7523-A*	SPRING, Retracting Pedal	1		57/5-61
14	957E-7523-B*	SPRING, Retracting Pedal	1		5-61/64
14	E1ADKN-7523-B	SPRING, Retracting (With Live P.T.O.)	1	FTO-E	
15		BOLT, 3/8-24 x 1-1/2 Hex Hd.-Clamping	1		57/64
16	957E-7535-B*	ROD ASSY., Pedal to Arm	1		57/64
17	97013-S36	CLEVIS, 3/8-24 x 2-1/2	1		57/64
18		NUT, 3/8-24 Hex Lock	1		57/64
19		PIN, 3/8 x 1-1/8 Clevis	1		57/64
20		PIN, 1/8 x 5/8 Cotter	1		57/64
21	957E-7520-B	PEDAL ASSY., Clutch	1	FTO-E	57/64
		Consists of Pedal plus:			
22	957E-7513*	BUSHING	1		57/64
23	384677-S8	LUBRICATOR	1		57/64
-	500E-7565*	PIN, Release Lever & Shaft to Fork	5		11-60/64
-	E81-GD-9	SEAL ASSY., Release Bearing Hub Retainer Oil	1		57/64
-	E99-GD-9	STOP, Release Arm	1	With Live P.T.O.	57/64
-	E299-GD-9*	TAB, Output Shaft Bearing Retainer	1	FTO-E	8-60/64
-	E300-GD-9*	TAB, Clutch Release Bearing Support	1	FTO-E	8-60/64
-	E301-GD-9*	TAB, Clutch Release Bearing Support	1	FTO-E	8-60/64
-	E302-GD-9*	TAB, Clutch Release Bearing Support	1	FTO-E	8-60/64
-	E48-FD-9*	BRACKET, Clutch Rod Retracting Spring	1	With Live P.T.O.	9-58/5-6L
-	BB-13512*	CLAMP, Rod Retracting Spring	1	With Live P.T.O.	9-58/5-61
-	119943-E57/8	PIN, Clevis - Rod to Release Arm	1	FTO-E W/Live P.T.O.	57/64
-	C7NN-7N433-A	CLIP, Rod to Clevis Pin	1	With Live P.T.O.	57/64
		* No Longer Serviced			

DEXTA

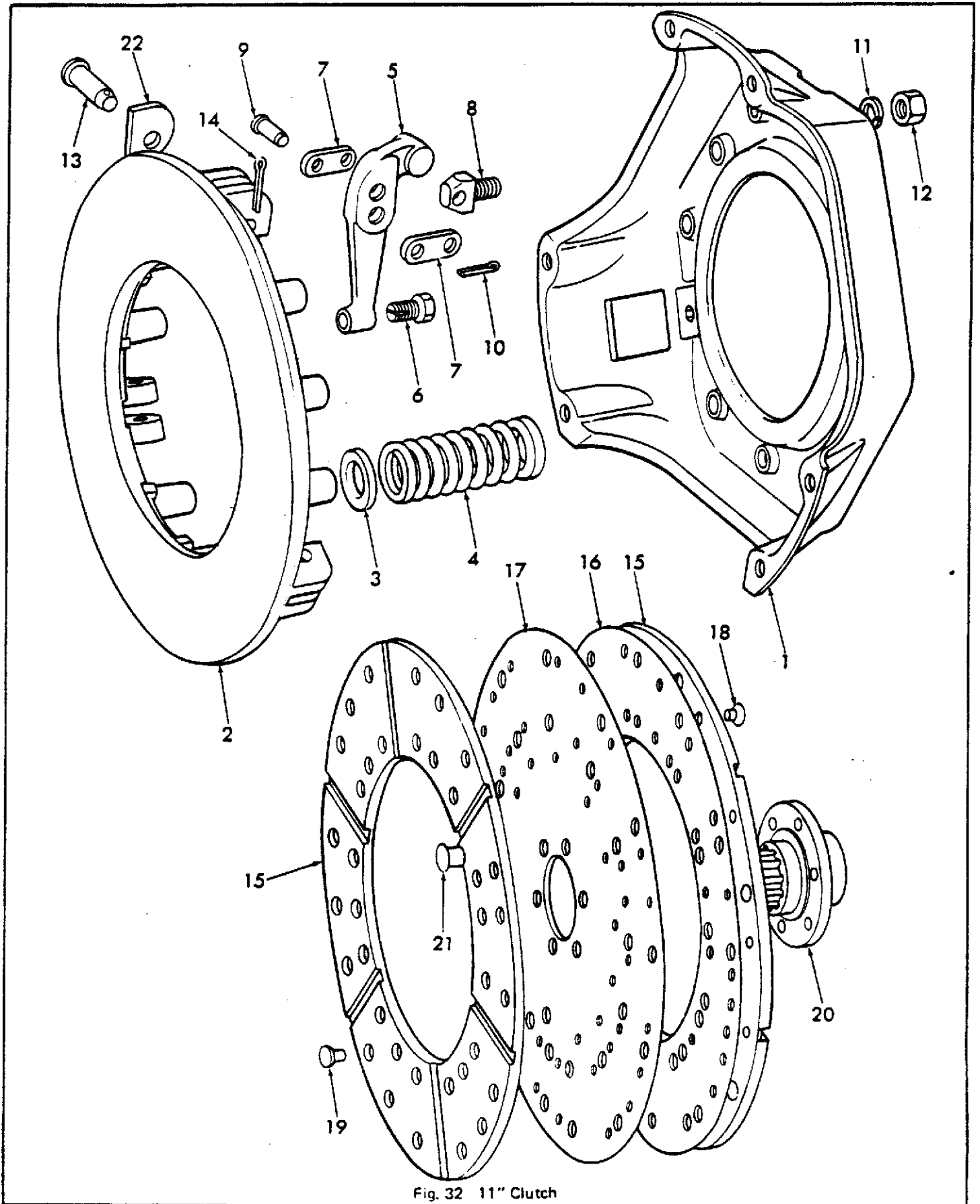


Fig. 32 11" Clutch

DEXTA

FIG.	PART NO.	PART NAME	QTY	REMARKS	YEAR
32		<u>11" CLUTCH</u>			
-	957E-7563-B	PLATE & COVER ASSY., Clutch Pressure	1		57/64
		Consists of:			
1	E51-7570*	COVER	1		57/64
2	E1ADKN-7566-A	PLATE, Pressure	1	FTO-E	57/64
3	48-7567*	WASHER, Spring	9		57/64
4	311432	SPRING	9		57/64
5	E1ADDN-7591-A	LEVER, Release	3		57/64
6	E1ADKN-7575-B	SCREW, Lever Adjusting	3		57/64
7	E85-GC-9	LINK	6	FTO-E	57/64
8	E1ADDN-7547	FULCRUM	3	FTO-E	57/64
9	48-7553*	ROLLER	3	FTO-E	57/8-59
9	E1ADDN-7553	ROLLER	3	FTO-E	8-59/64
10		PIN, 3/16 x 1/2 Cotter	3		57/64
11		WASHER, 5/16 Shakeproof Int. Teeth	3		57/64
12		NUT, 5/16-24 Hex	3		57/64
13	48-7565	PIN	3	FTO-E	57/64
14		PIN, 3/32 x 3/4 Cotter	3		57/64
-	957E-7550-A	DISC ASSY.	1		57/64
		Consists of:			
15	957E-7549-A	FACING	2	FTO-E	57/64
16	51-7574*	PLATE, Face Cushion	6		57/64
17	7V-7551*	DISC	1	FTO-E	57/64
18	119425-ES*	RIVET, 5/32 x 5/32 Flat C'sunk Hd.			
		Semi-Tabular	12		57/64
19	119426-ES*	RIVET, 5/16 x 13/64 Special	12		57/64
20	957E-7554-A*	HUB	1		4-62/64
21	B-7555 *	RIVET, Hub to Disc	6		57/64
22	E6-GC-9	PLATE, Wear Lug	3		57/64
-	E48-7552*	YOKE, Clutch Release Lever	3		57/64
-	350439-S*	BOLT, Yoke	3		57/64
-	48-7556*	PIN, Release Lever Yoke	3		57/64
-	C5NN-7600-A	BEARING ASSY., Clutch Pilot	1		57/64
		* No Longer Serviced			

DEXTA

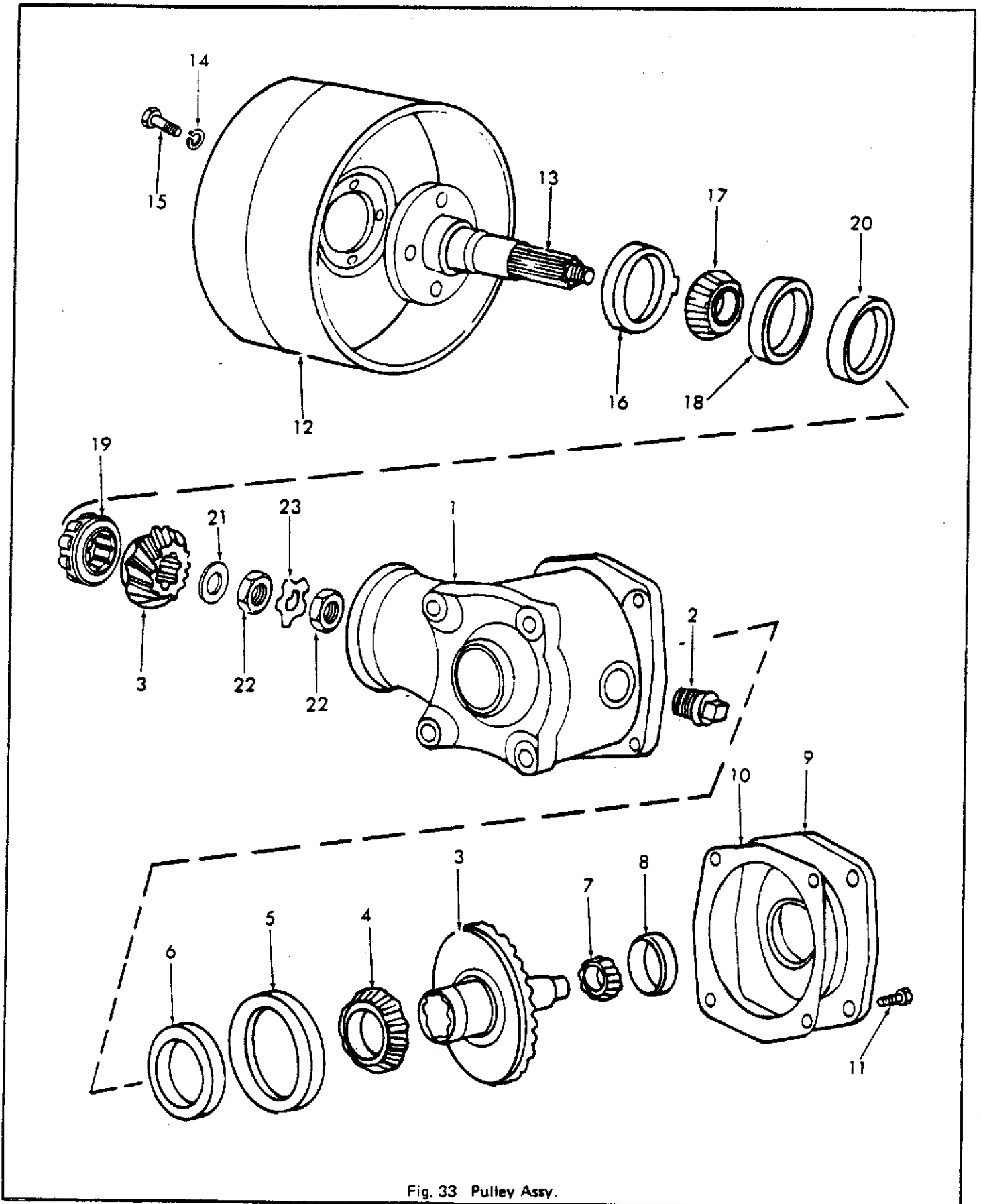
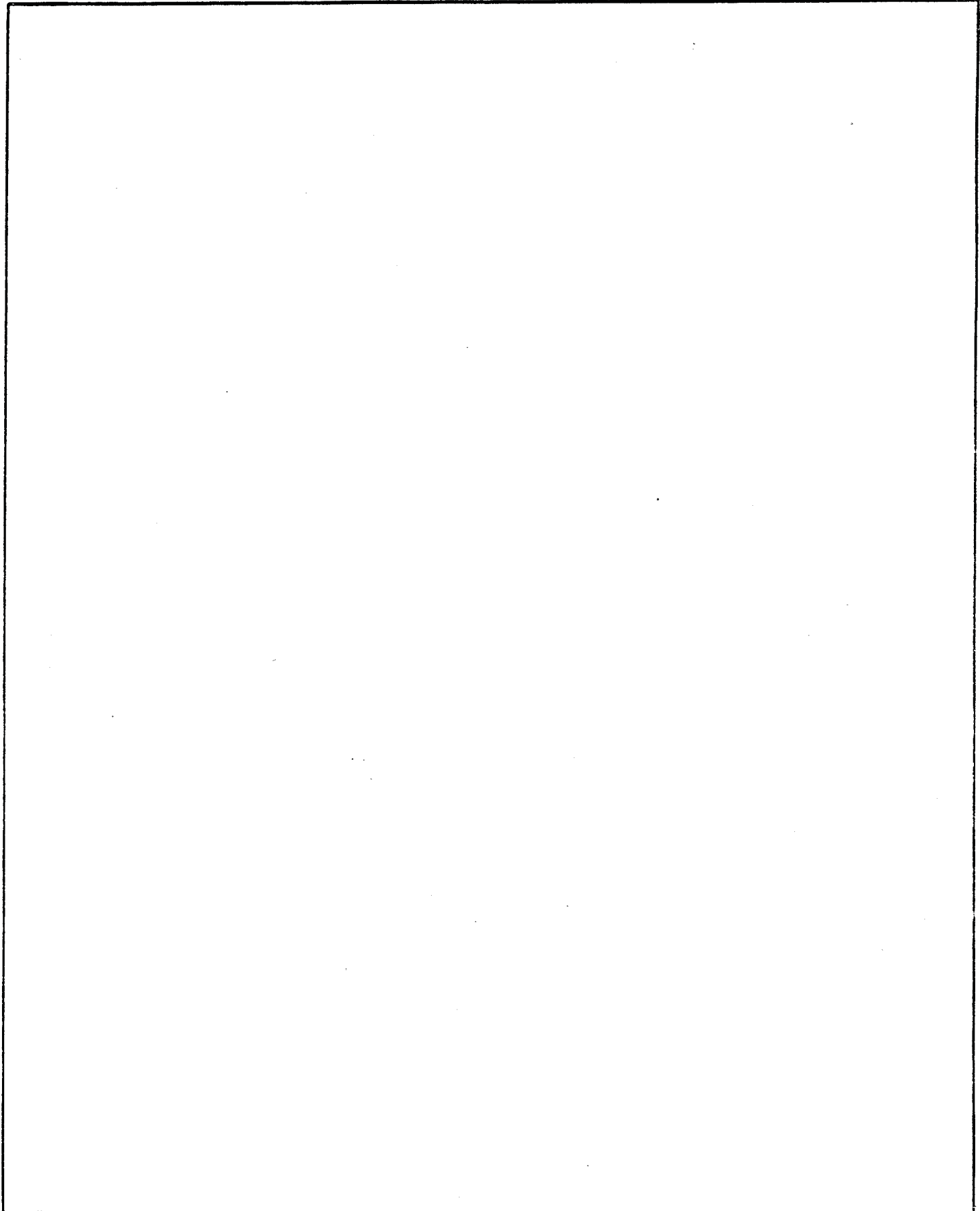


Fig. 33 Pulley Assy.

DEXTA

FIG.	PART NO.	PART NAME	QTY.	REMARKS	YEAR
33		<u>PULLEY ASSEMBLY</u>			
-	957E-760-A*	PULLEY & DRIVE GEAR ASSY.	1		57/3-60
-	957E-760-D*	PULLEY & DRIVE GEAR ASSY.	1		3-60/64
-	957E-736-D*	GEAR ASSY. (Rep'l. by C5NN-P747-B)	1		57/64
-	C5NN-P747-B	GEAR ASSY.			
1	957E-748-A	HOUSING	1		57/3-60
1	957E-748-B	HOUSING	1	FTO-E	3-60/11-60
1	957E-748-C*	HOUSING	1		11-60/64
2	353051-ES	PLUG, 3/4 Pipe Sq. Hd. - Filler	1		57/64
3	E127-GE-9	GEAR ASSY., Pulley Drive	1	FTO-E	57/64
4	957E-743-A	CONE & ROLLER ASSY.	1		57/64
5	957E-744-A	CUP	1		57/64
6	957E-750-A	SEAL	1		57/64
7	957E-752-A	CONE & ROLLER ASSY.	1	FTO-E	57/64
7	9N-752	CONE & ROLLER ASSY.	1	U.S. Only	57/64
8	957E-753	CUP	1		57/64
9	957E-741-A	COVER, Housing	1	FTO-E	57/64
9	957E-741-B	COVER, Housing (w/957E-960-D)	1		57/64
10	957E-747-A*	GASKET, .020/.023 Thick	AR	FTO-E	57/64
10	9N-747-A	GASKET, .018/.023 Thick	AR	U.S.	57/64
10	957E-747-B	GASKET, .016/.019 Thick	AR	FTO-E	57/64
10	9N-747-B*	GASKET, .013/.020 Thick	AR	U.S.	57/64
10	957E-747-C	GASKET, .012/.015 Thick	AR	FTO-E	57/64
10	9N-747-C*	GASKET, .008/.015 Thick	AR	U.S.	57/64
11		BOLT, 7/16-14 x 7/8 Hex Hd.	4		57/64
12	957E-740-A	PULLEY, 9"	1		57/8-60
12	957E-740-B	PULLEY, 10-1/4"	1		8-60/64
13	957E-746-A*	SHAFT	1		57/3-60
13	957E-746-B	SHAFT	1		3-60/64
14		WASHER, 7/16 Lock	4		57/64
15		BOLT, 7/16-20 x 1 Hex Hd. (Pulley to Shaft)	4		57/64
16	957E-750-A	SEAL	1		57/64
17	E105-GE-9	CONE & ROLLER ASSY., Outer	1		57/64
18	E106-GE-9	CUP, Outer	1		57/64
19	E102-GE-9*	CONE & ROLLER ASSY., Inner	1		57/3-60
20	E141-GE-9	CUP, Inner	1		3-60/64
-	E137-GE-9	BUSHING ASSY., Shaft & Bearing	1		3-60/64
21		WASHER, 5/8 Flat	1		57/64
22	117554-ES*	NUT, 5/8-18 x .31 Thick Hex Special	2		57/64
23	E81-GE-9	WASHER, Lock	1		57/64
		* No Longer Serviced			

DEXTA



DEXTA

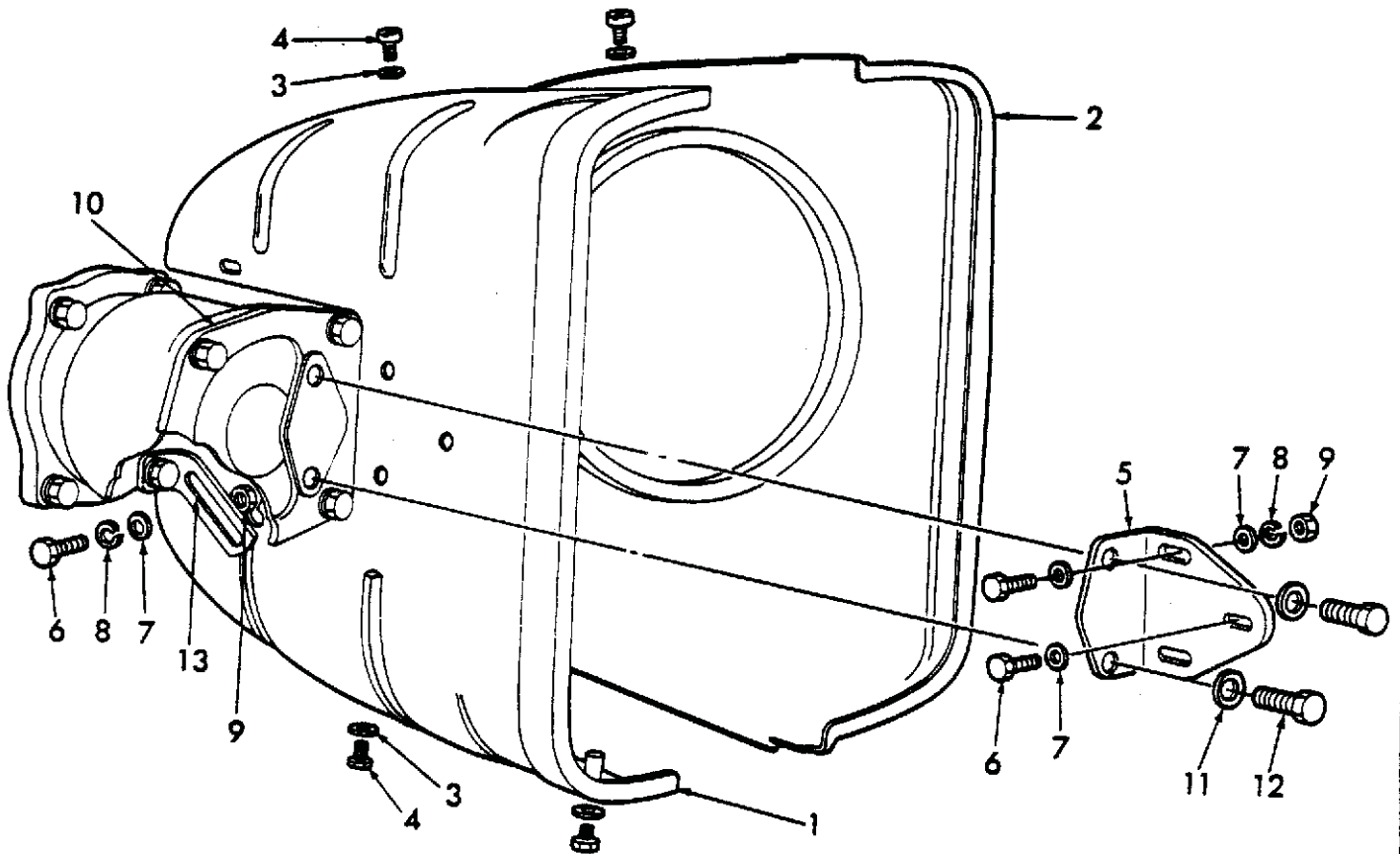


Fig. 34 Pulley Guard

FIG.	PART NO.	PART NAME	QTY.	REMARKS	YEAR
34		PULLEY GUARD			
1	E151-GE-9	PANEL, Inner Guard	1		57/64
2	E152-GE-9	PANEL, Outer Guard	1		57/64
3		WASHER, 1/4 Flat	4		57/64
4		SCREW, 1/4-20 Pan Hd. - Outer to Inner Guard	4		57/64
5	E153-GE-9*	BRACKET, Guard Support	1		57/64
6		BOLT, 5/16-18 x 7/8 Hex Hd. - Brackets to Inner Guard	4		57/64
7		WASHER, 5/16 Flat	7		57/64
8		WASHER, 5/16 Lock	4		57/64
9		NUT, 5/16-18 Hex	4		57/64
10	957E-741-A	COVER, Pulley Housing	1	FTO-E	57/64
10	957E-741-B	COVER, Pulley Housing (Used with 957E-760-D)	1		57/64
11		WASHER, 7/16 Lock	2		57/64
12		BOLT, 7/16-14 x 7/8 Hex Hd. - Brkt. to Hsg.	2		57/64
13	E167-GE-9*	BRACKET, Support - Front	1		57/64
		* No Longer Serviced			

DEXTA

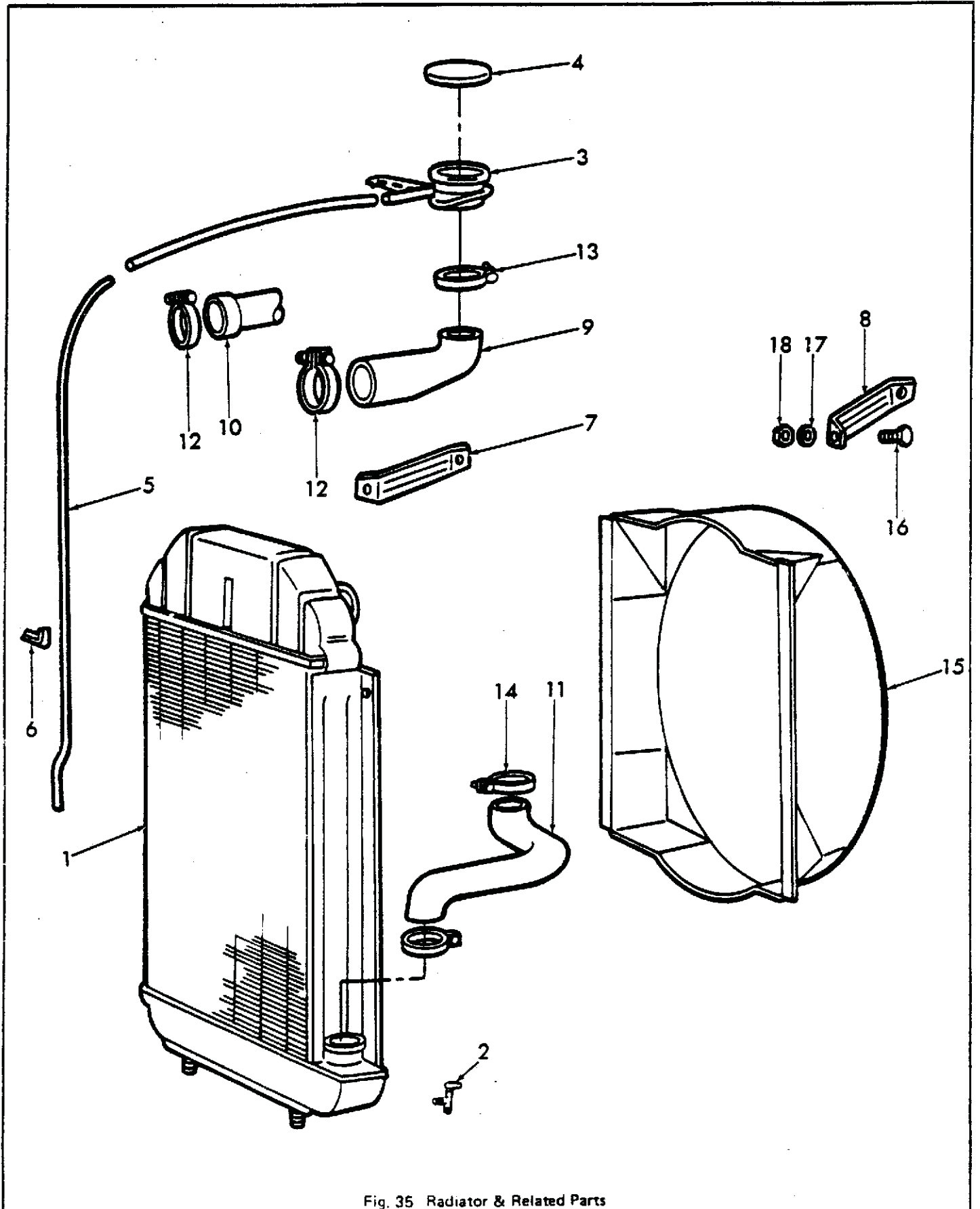


Fig. 35 Radiator & Related Parts

DEXTA

FIG.	PART NO.	PART NAME	QTY.	REMARKS	YEAR
35		<u>RADIATOR AND RELATED PARTS</u>			
1	957E-8005	RADIATOR ASSY.	1		57/64
1	959E-8005	RADIATOR ASSY.	1	Super Dexta	4-62/64
			1	Petrol	11-60/64
2	2701E-8115-B	COCK ASSY., Drain	1	FTO-E	57/64
3	E44-MB-9	FILLER ASSY.	1		57/64
-		SCREW, 1/4-20 x 1/2 Pan Hd. - Filler to Shell	2		57/64
-		NUT, 1/4-20 Hex	2		57/64
4	E62A-8100-A	CAP ASSY., Pressure	1	Export Only	57/64
4	528E-8100-A	CAP ASSY.,	1	Domestic FTO-E	57/64
-	E62A-8111*	GASKET, Pressure Cap	1		57/64
5	E1ADKN-8075-C*	PIPE, Overflow	1	Domestic	57/64
6	118511-ES2*	CLIP, Pipe .38 O.D.	2		57/64
7	E30-MB-9*	BRACKET, Support - R.H. Top	1		57/64
8	E31-MB-9*	BRACKET, Support - L.H. Top	1		57/64
-	E43-MB-9	PAD, Support (2) Lower (4) Upper	6		57/64
9	957E-8333-A	HOSE, Filler	1	Ex. Super Dexta	57/64
9	957E-8333-B	HOSE, Filler	1	Super Dexta	4-62/64
9	959E-8333	HOSE, Filler	1	Petrol	11-60/64
10	957E-8260-A	HOSE, Upper	1	Ex. Super Dexta	57/64
10	957E-8260-B	HOSE, Upper	1	Super Dexta	4-62/64
10	959E-8260	HOSE, Upper	1	Petrol - FTO-E	11-60/64
11	957E-8286	HOSE, Lower	1		57/64
11	959E-8286	HOSE, Lower	1	FTO-E	11-60/64
12	E1ADKN-8287	CLAMP, Hose	4	FTO-E	57/64
12	107325	CLAMP, Hose	4	U.S.	57/64
13	E39-MB-9*	CLAMP, Hose	1		57/64
14	60E-8287*	CLAMP, Hose	2		57/2-59
14	107325	CLAMP, Hose	2		2-59/64
15	957E-8146-B	SHROUD, Fan	1		57/64
15	960E-8146-B	SHROUD, Fan	1		4-62/64
15	959E-8146-B*	SHROUD, Fan	1	Petrol	11-60/64
16		SCREW, 1/4-20 x 7/16 Rd. Hd. - Shroud to Radiator	4		57/64
17		WASHER, 1/4 Lock	4		57/64
18		NUT, 1/4-20 Hex	4		57/64
-	E60-CA-9*	GASKET, Filler Pipe to Cyl. Head (Use with 957E-8250-A)	1		57/64
-	M-99B-58*	CAPSULE, Cooling System (Anti-Leak)	AR	2 Only Maximum	57/64
-	957E-8N651-A*	EXTENSION, Fan Shroud - L.H.	1	Domestic Only	57/64
-	960E-8326*	DEFLECTOR, Radiator Air	1	Super Dexta	6-63/64

* No Longer Serviced

DEXTA

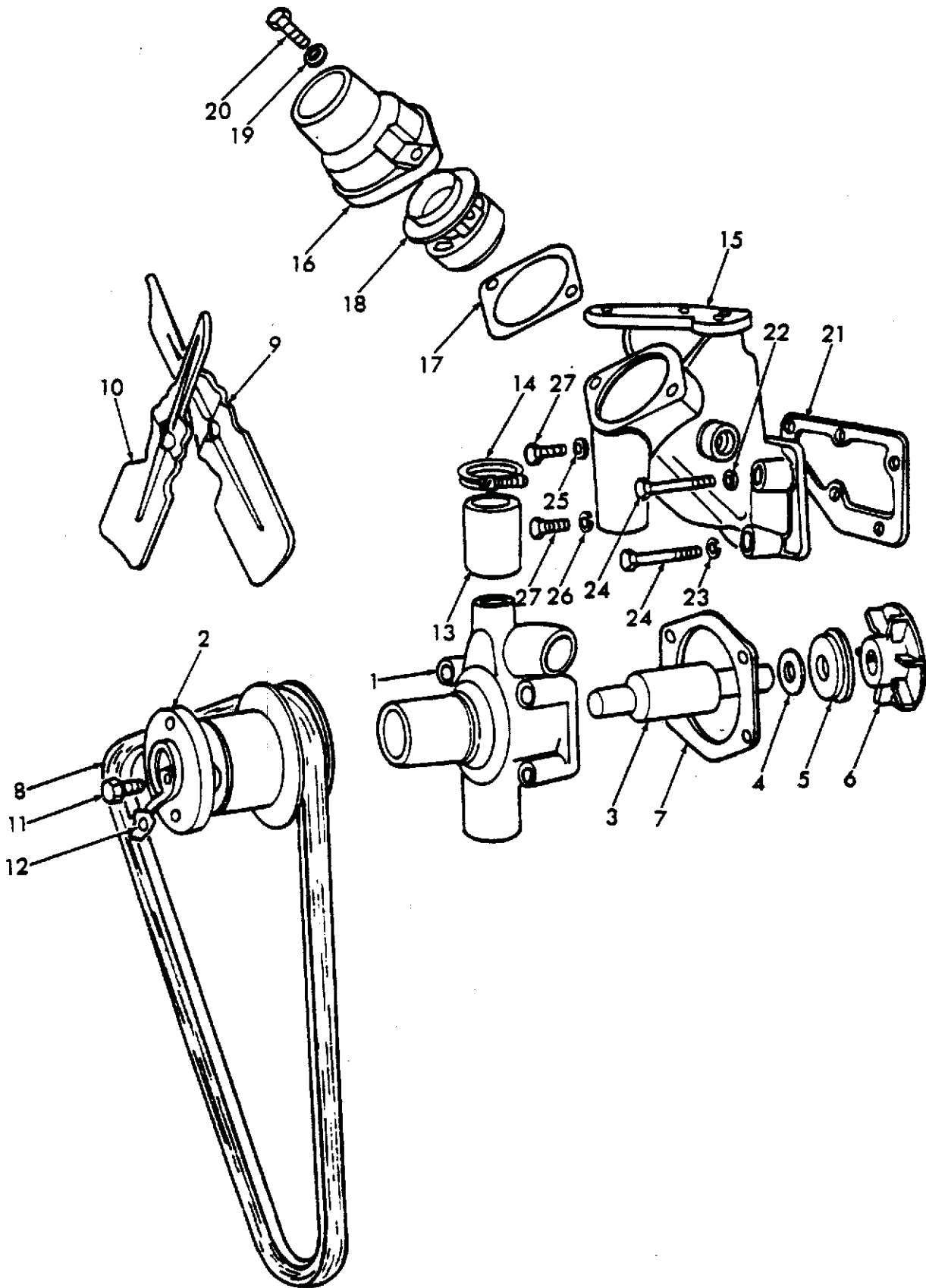


Fig. 36 Water Pump, Thermostat & Related Parts

DEXTA

FIG.	PART NO.	PART NAME	QTY.	REMARKS	YEAR
36		<u>WATER PUMP, THERMOSTAT & RELATED PARTS</u>			
-	957E-8501-B	PUMP ASSY., Water Consists of:	1		57/64
1	957E-8505-B*	BODY, Pump	1		57/64
2	957E-8509*	PULLEY	1		57/64
3	E1ADKN-8530	SHAFT, Impeller	1		57/64
4	957E-8550*	FLANGE, Thrower	1		57/64
5	E1ADKN-8564	SEAL	1		57/64
6	957E-8512*	IMPELLER	1		57/64
7	957E-8507	GASKET	1		57/64
8	E1ADDN-8620	BELT, Fan (Premium Grade)	1	FTO-E	57/64
8	E1ADKN-8620-C	BELT, Fan	1		57/64
9	E1ADDN-8607	BLADE, Fan Inner	1		57/64
10	957E-8606*	BLADE, Fan Outer 15" Dia.	1		57/64
11		BOLT, 5/16-24 x 3/4 Hex Hd. (Fan to Pulley)	4		57/64
12	Y-9443*	WASHER (This Part along with Lockwasher replace earlier type Tab Washer)			
-	E2169-T-9	KIT, Water Pump Repair Consists of Items 3, 4, 5 & 7	AR		57/64
13	E15-CJ-9	HOSE, By Pass Pipe to Water Pump	1		57/64
14	E83W-962B	CLAMP	2		57/64
15	957E-8250-B	CONNECTION, Cyl. Head Water Outlet	1	FTO-E	5-59/64
16	EOTA-8250	CONNECTION	1		5-59/64
17	E1ADKN-8587	GASKET Note: When replacing prior Connection with 957E-8250-B supply also (1) EOTA-8250 & (1) E1ADKN-8587	1		5-59/64
-	E12-CJ-9*	ADAPTOR (Use with Prior Connection)	1		57/5-59
-	E1ADKN-8287	CLAMP, Hose to Adaptor	1		57/64
18	957E-8575	THERMOSTAT ASSY.	1		57/64
19		WASHER, 5/16 Lock	2		5-59/64
20		BOLT, 5/16-24 x 1 Hex Hd. (Conn. to Conn.)	2		5-59/64
21	957E-8255	GASKET	1		57/64
22	118364-ES*	WASHER, 25/64 I.D. x 11/16 O.D. x 1/16 Flat	1		57/64
23		WASHER, 5/16 Lock	1		57/64
24	115680-ES*	BOLT, 3/4-24 x 1-3/4 Hex Special	2		57/64
25	118355-ES*	WASHER, 11/32 I.D. 35/64 x 1/16 Flat	1		57/64
26		WASHER, 5/16 Lock	1		57/64
27		BOLT, 5/16-24 x 7/8 Hex Hd.	2		57/64
-	E5-CJ-9	HOSE, Water Pump Outlet to Cyl. Block	1		57/64
		* No Longer Serviced			

DEXTA

FIG.	PART NO.	PART NAME	QTY.	REMARKS	YEAR
37		<u>FUEL SYSTEM</u>			
1	957E-9002	TANK ASSY., Fuel	1		57/64
-		WASHER, 7/16 Lock	3		57/64
-		BOLT, 7/16-14 x 1.0 Hex Hd. (Tank Mounting)	3		57/64
-	E1ADKN-9020*	FILTER ASSY., Fuel Tank	1	Accessory	57/64
2	E1ADDN-9030	CAP, Fuel Tank Filler	1		57/64
3	E1ADDN-9189-B*	TAP & SCREEN ASSY. (Fuel Control)	1	Gas-Petrol	60/64
3	957E-9189-C	TAP & SCREEN ASSY. (Fuel Control)	1	Diesel	57/64
		Consists of:			
4	E55-JA-9*	FILTER ASSY.	1		57/3-59
4	957E-9187	FILTER ASSY.	1		4-59/64
-	D2NN-9N200-A	VALVE & SEAL ASSY.	1		57/64
-	D3NN-9N677-A	RING	1		57/64
-	E46-JA-9	RETAINER	1	Diesel	57/64
-	E188-JA-9*	RETAINER	1	Gas-Petrol	8-62/64
5	957E-9282-A	PIPE ASSY. (Tank to Pump)	1	Diesel	57/3-62
5	957E-9282-B	PIPE ASSY. (Tank to Pump)	1	Diesel	4-62/64
		Consists of Pipe plus:			
6	119987-ES	FERRULE	2		57/64
7	117757-S36	NUT, 1/4" Tube	2		57/64
8		FUEL INJECTION PUMP (Refer to Pump Section)	1		
9		FUEL PUMP ASSY (Refer to Fuel Pump Section)	1		
10		WASHER, 5/16" Lock	2		
11	117600-ES7	NUT, 5/16-24 x 10.5mm (Fuel Pump to Fuel Injection Pump)	2		
12	957E-9230-B*	PIPE ASSY., Injection Pump to Oil Filter Assy.	1		57/3-62
12	957E-9230-C	PIPE ASSY., Injection Pump to Oil Filter Assy.	1		4-62/64
		Consists of Pipe plus:			
13	119987-ES	FERRULE	2		57/64
14	117757-S36	NUT, 1/4" Tube	2		57/64
15		FILTER ASSY., Fuel Oil (Refer to Fuel Filter Section)	1		
15A	E749-CL-9*	SPACER, Oil Filter	1		4-62/64
16		WASHER, 5/16" Lock	2		57/64
17		BOLT, 5/16-24 x 3 (Filter to Block)	1		57/3-62
17	115955-ES	BOLT, 5/16-24 (Filter to Block)	1	FTO-E	4-62/64
18		BOLT, 5/16-24 x 7/8 (Filter to Block)	1		57/64
19	957E-9337-A	PIPE ASSY. (Filter to Inj. Pump)	1	FTO-E	57/1-60
19	957E-9337-B	PIPE ASSY. (Filter to Inj. Pump)	1	FTO-E	2-60/3-62
19	E2055-T-9	PIPE ASSY. (Filter to Inj. Pump)	1		4-62/64
		Consists of Pipe plus:			
20	119987-ES	FERRULE, 1/4"	2		57/64
21	E2056-T-9*	NUT, Tube	2		57/64

* No Longer Serviced

DEXTA

FIG.	PART NO.	PART NAME	QTY.	REMARKS	YEAR
37		<u>FUEL SYSTEM</u>			
22	957E-993139-B	PIPE ASSY. (Governor to Inlet Manifold) Consists of Pipe plus:	1		57/3-62
23	EB-9242-B*	FERRULE (Governor End)	1		57/3-62
24	EB-9243-A*	NUT (Governor End)	1		57/3-59
24	114101-ES	NUT (Governor End)	1		4-59/3-62
25	119993-ES	FERRULE (Manifold End)	1		57/3-62
26	117625-ES*	NUT (Manifold End)	1		57/3-62
26A	118537-ES	CLIP, Pipe Attaching	1		57/3-62
27	957E-993174-A	PIPE ASSY., No. 1 (Pump to Injector)	1		57/3-62
27	957E-993174-B	PIPE ASSY., No. 1 (Pump to Injector)	1		4-62/64
28	957E-993175-A	PIPE ASSY., No. 2 (Pump to Injector)	1		57/3-62
28	957E-993175-B	PIPE ASSY., No. 2 (Pump to Injector)	1		4-62/64
29	957E-993176-A	PIPE ASSY., No. 3 (Pump to Injector)	1		57/3-62
29	957E-993176-B	PIPE ASSY., No. 3 (Pump to Injector) Consists of Pipe plus:	1		4-62/64
30	E1ADDN-9242-D	FERRULE (Injector Pipe)	6		57/64
31	E1ADDN-993178-C*	NUT (Injector Pipe)	6		57/64
-	404E-6571*	SEAL, Pump to Injector Pipe	1		7-63/64
-	E349-CL-9	CLIP, Fuel Injection Pipes	6	FTO-E (Dual Filter)	2-63/64
32	957E-993157	INJECTOR ASSY. (See Injector Section)	3		57/64
33		WASHER, 3/8 Lock	6		57/64
34	117642-ES	NUT, 3/8-24 Hex Special (Injector Mounting)	6		57/64
35	118357-ES	WASHER, 21/64 I.D. x 1/2 O.D. x 1/32	3		57/64
36	21470-ES	BOLT, 5/16-24 x .62 (Leak-Off Pipe Connection)	3		57/64
37	957E-993180*	PIPE ASSY., Injector Leak-Off	1		57/64
38	E33-JA-9	PIPE ASSY., Fuel Return Consists of Pipe plus:	1		57/64
39	E98T-9242*	FERRULE	2		57/64
40	E9-JA-9*	NUT (Fuel Return Pipe)	2		57/64
41	E34-JA-9*	PIPE ASSY. (Starter Pump to Inlet Manifold)	1		57/7-58
41	E67-JA9	PIPE ASSY. (Starter Pump to Inlet Manifold) Consists of Pipe plus:	1		8-58/64
-	E98T-9242*	FERRULE	2		57/64
-	117621-ES	NUT, 3/16 Pipe	2		57/64
42	E43-JA-9	CLIP, Starter Pump Pipe to Fuel Tank	1	FTO-E	57/64
43	957E-9600-A	AIR CLEANER ASSY. (Oil Bath)	1	Except Super Dexta	57/64
43	960E-18205*	AIR CLEANER ASSY. (Oil Bath) Consists of Body plus:	1	Super Dexta	4-62/64
44	E368-CL-9	ELEMENT (A.C. Type)	1		57/64
44	E747-CL-9*	ELEMENT (Burgess Type)	1		6-62/64
45	960-E-18243-A*	BATH (A.C. Type)	1		57/64
45	957E-18243-B*	BATH (Burgess Type)	1		6-62/64
46	957E-18246	CLAMP ASSY.	1		57/64

* No Longer Serviced

DEXTA

FIG.	PART NO.	PART NAME	QTY	REMARKS	YEAR
37		<u>FUEL SYSTEM</u>			
-		WASHER, 5/16 Lock	4		57/64
-		BOLT, 5/16-24 x 5/8 (Cleaner to Heat Baffle)	4		57/64
47	957E-9680-A	CLEANER ASSY. (Primary Air)	1	Short-type Pipe	57/64
47	957E-9680-B	CLEANER ASSY. (Primary Air) (When requested)	1	Long-type Pipe	57/64
48	957E-18233	HOSE (Cleaner to Inlet Manifold)	1	FTO-E	57/64
49	EOA-9107	CLAMP ASSY., Air Cleaner Hose	2		57/64
-	E1ADKN-9066-B	PAD (Fuel Tank Support)	3		57/9-58
-	E1ADDN-9066	PAD (Fuel Tank Support)	3	FTO-E	10-58/3-62
-	E1ADDN-9066	PAD (Fuel Tank Support) Rear	1	FTO-E	4-62/64
-	E175-JA-9*	PAD ASSY. (Fuel Tank Support)	1	Super Dexta	4-62/64
-	957E-9097-B*	SUPPORT ASSY., Fuel Tank - Rear	2	Except Super Dexta	4-62/64
			1	FTO-E	57/64
		* No Longer Serviced			

DEXTA

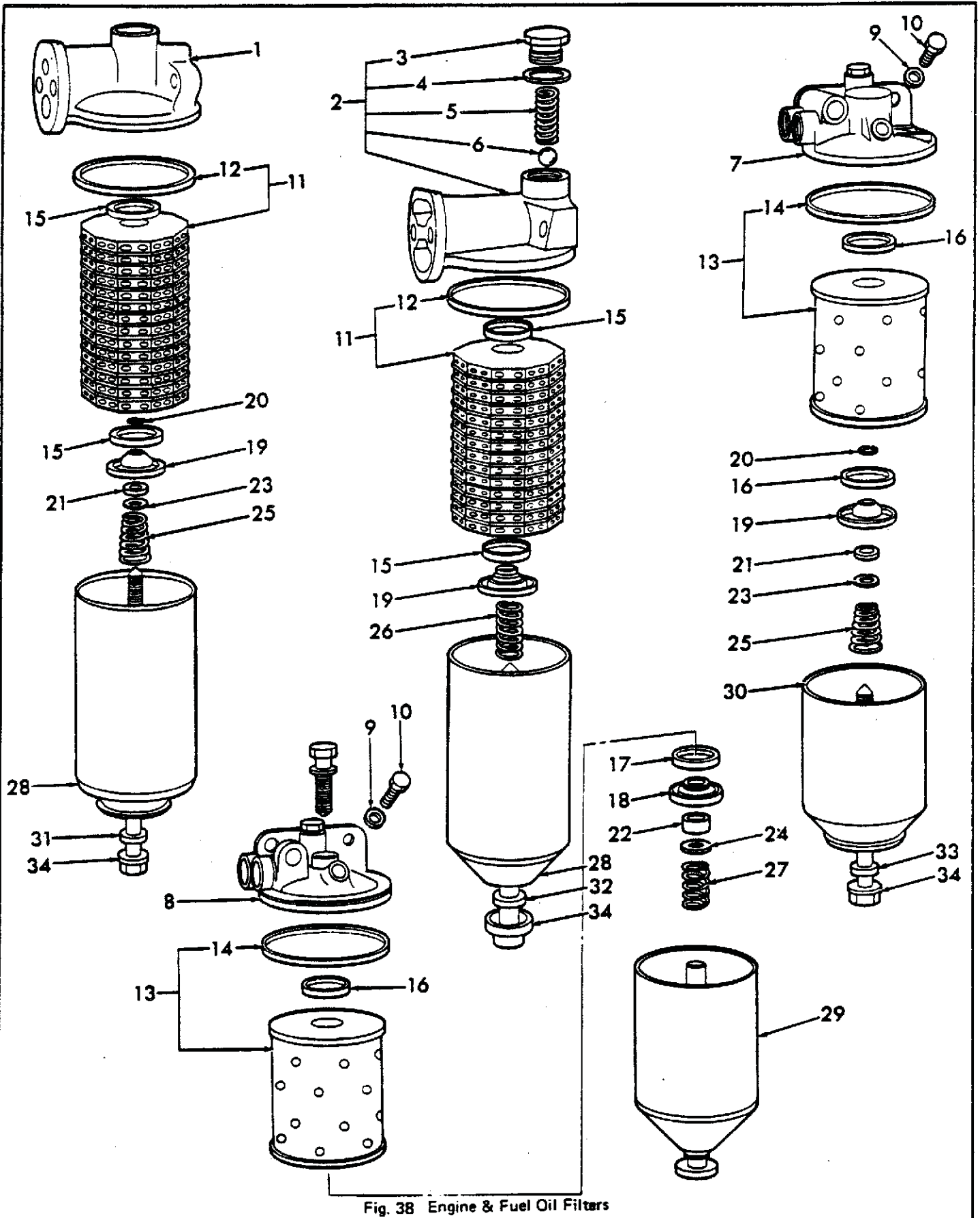


Fig. 38 Engine & Fuel Oil Filters

DEXTA

FIG.	PART NO.	PART NAME	QTY.	REMARKS	YEAR
38		<u>ENGINE AND FUEL OIL FILTERS</u>			
-	E2047-T-9*	FILTER ASSY., Engine Oil	1	Replaces 957E-6714-A	57/64
-		WASHER, 3/8 Lock	2		57/64
-		BOLT, 3/8-24 x 4-1/2 Hex Hd. (Oil Filter to Block)	2		57/64
-	957E-6838*	GASKET, Oil Filter to Block	1		57/64
-	957E-9155-A*	FILTER ASSY., Fuel Oil	1		57/64
-	957E-9155-B*	FILTER ASSY., Fuel Oil	1	Use w/AC Type Filter	57/64
1	E2049-T-9*	HEAD ASSY., Eng. Oil Filter & Relief Valve (Replaced by (1) E2172-T-9 Element & (1) E2173-T-9 Head Assy. - Use only with E2047-T-9 Filter Assy.)	1		57/64
2	E63-CE-9*	HEAD ASSY., Eng. Oil Filter & Relief Valve Consists of Head plus:	1	Use w/AC Type Filter	57/64
3	119758-ES*	PLUG, 7/8-18	1	AC Type Filter	57/64
4	118346-ES*	WASHER, Flat	1	AC Type Filter	57/64
5	957E-6837*	SPRING	1	AC Type Filter	57/64
6	E1ADKN-18649-C*	VALVE	1	AC Type Filter	57/64
7	E384-CL-9*	HEAD, Fuel Oil Filter	1	W/Tacalemit Type Filter	57/6-59
7	E489-CL-9	HEAD, Fuel Oil Filter	1	Tacalemit Type Filter	6-59/64
8	E519-CL-9	HEAD, Fuel Oil Filter	1	AC Type Filter	1-60/64
9	E1ADDN-99159-C*	WASHER, Air Bleed Screw	2	AC Type Filter	57/64
9	116141-ES*	WASHER, Air Bleed Screw	1	Tacalemit Filter	57/6-59
			2		6-59/1-60
10	E1ADDN-99158-C	SCREW, Air Bleed-Fuel Oil Filter	2		57/64
10	E1ADDN-99158-D*	SCREW, Air Bleed-Fuel Oil Filter	1	Tacalemit Filter	57/64
11	957E-6731	KIT, Eng. Oil Filter	1	FTO-E	57/64
11	EPN-6731-B	KIT, Eng. Oil Filter	1	U.S.	57/64
		Consists of Filter plus:			
12	E1ADDN-18688-B	GASKET, Cover (Tacalemit Filter)	1	FTO-E	57/64
13	E1ADDN-99162-B	KIT, Fuel Oil Filter Element	1	FTO-E	57/64
13	EPN-99162-A	KIT, Fuel Oil Filter Element	1	U.S.	57/64
13	E1ADDN-99162-C	KIT, Fuel Oil Filter Element	1	Dual Filter	2-63/64
		Consists of Filter plus:			
14	E1ADDN-18688-B	GASKET, Cover	1	FTO-E	57/64
15	E1ADDN-18689-B*	GASKET, Eng. Oil Filter	1	W/AC Type Filter	57/64
15	E1ADDN-18689-C*	GASKET, Eng. Oil Filter	2	Tacalemit Type Filter	57/64
16	E1ADDN-18689-B*	GASKET, Fuel Oil Filter	2	W/AC Type Filter	57/1-60
16	E1ADDN-18689-A*	GASKET, Fuel Oil Filter	1	W/AC Type Filter	1-60/64
16	E1ADDN-18689-C*	GASKET, Fuel Oil Filter	1	Tacalemit Type Filter	57/64
17	E512-CL-9	GASKET, Fuel Oil Filter	1	W/AC Type Filter	1-60/64
18	116276-ES*	WASHER, Gasket Support (These parts No. 17 & 18 together replace AC Type Retainer used 57/1-60 in Prod.)	1	AC Type Filter	1-60/64
		* No Longer Serviced			

DEXTA

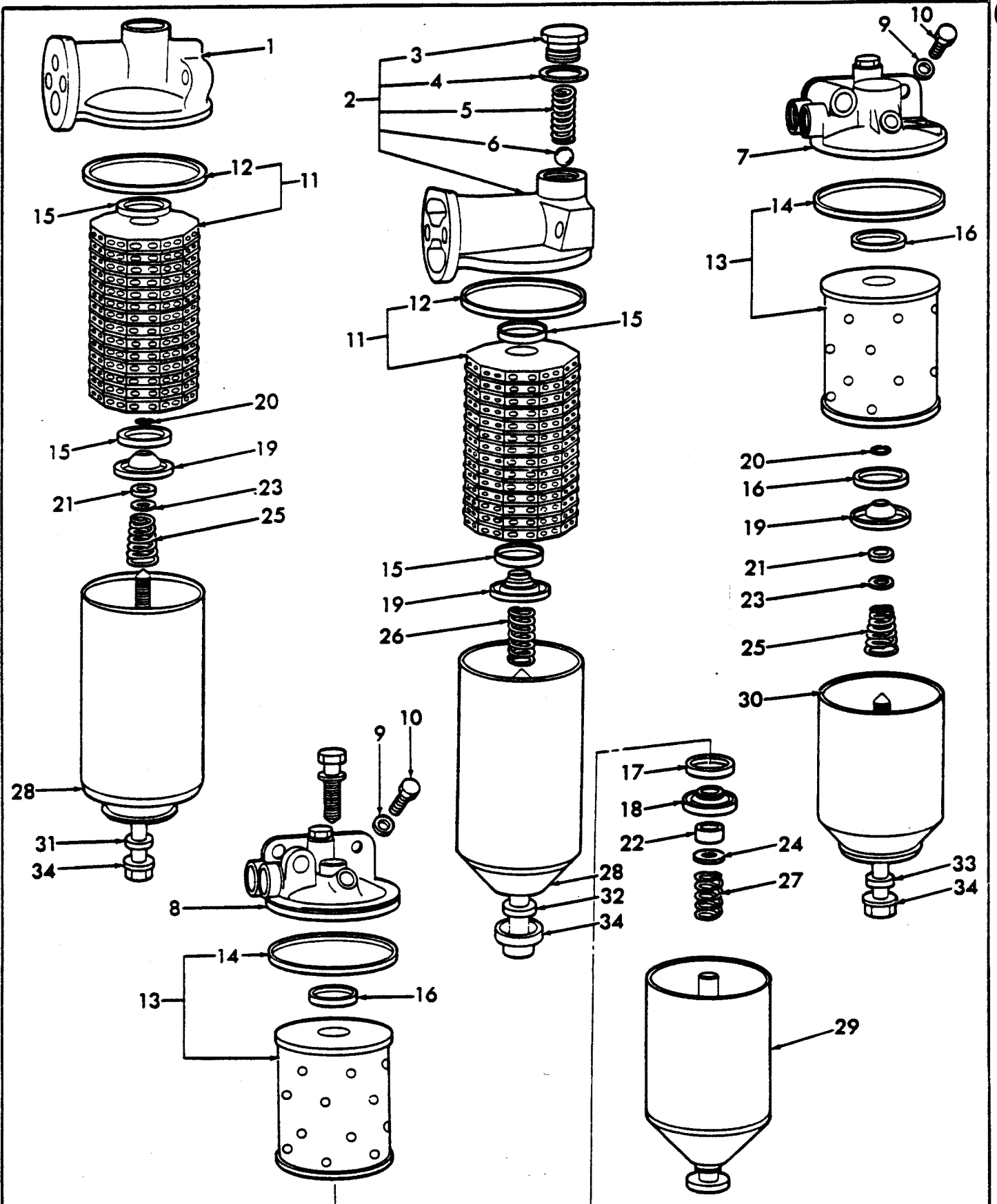


Fig. 38 Engine & Fuel Oil Filters

DEXTA

FIG.	PART NO.	PART NAME	QTY	REMARKS	YEAR
38		<u>ENGINE AND FUEL OIL FILTERS (CONT'D)</u>			
19	E1ADKN-18631-B	RETAINER, Eng. Oil Filter (AC Type Filter)	1	FTO-E	57/64
19	E1ADKN-18631-C	RETAINER, Eng. Oil Filter (Tacalemit Type)	1	FTO-E	57/64
19	E1ADKN-18631-C	RETAINER, Fuel Oil Filter (Tacalemit Type)	1	FTO-E	57/64
-	E560-CL-5*	RETAINER, Fuel Oil Filter	1	Dual Filter	2-63/64
20	E1ADKN-18650-B*	CIRCLIP, Eng. & Fuel Oil Filter Centre Bolt	1	Tacalemit Type Filter	57/64
21	E36-CF-9*	SEAL, Eng. & Fuel Oil Filter	1	Tacalemit Type Filter	57/64
22	E1ADDN-99166-B*	SEAL, Fuel Oil Filter	1	AC Type Filter	57/1-60
23	E35-CF-9*	WASHER, Eng. & Fuel Oil Filter	1	Tacalemit Type	57/64
23	116098-ES*	WASHER, Eng. Oil Filter (Together with (1) 957E-6741-B replaces previous type Shell)	1	Tacalemit Type	5-59/64
23	116098-ES*	WASHER, Fuel Oil Filter	1	Tacalemit Type	6-59/64
24	E1ADDN-99167-B	WASHER, Fuel Oil Filter (AC Type Filter)	1	FTO-E	57/1-60
25	957E-6889*	SPRING, Eng. Oil Filter	1	AC Type Filter	57/64
25	E40-CF-9*	SPRING, Eng. & Fuel Oil Filter	1	Tacalemit Type	57/64
26	E1ADDN-6889-A*	SPRING, Eng. Oil Filter	1		57/64
27	E488-CL-9*	SPRING, Fuel Oil Filter	1	Tacalemit Type	6-59/1-60
			1	AC Type Filter	1-60/64
28	957E-6883*	SHELL, Eng. Oil Filter	1	AC Type Filter	57/64
28	957E-6882*	SHELL ASSY., Engine Oil Filter	1	Tacalemit Type	57/5-59
28	E1ADDN-6883*	SHELL, Eng. Oil Filter	1	Tacalemit Type	5-59/64
29	E391-CL-9	SHELL, Fuel Oil Filter (AC Type Filter)	1	FTO-E	57/1-60
29	E515-CL-9	SHELL ASSY., Fuel Oil (AC Type Filter)	1	FTO-E	1-60/64
30	E463-CL-9*	SHELL ASSY., Fuel Oil Filter	1	Tacalemit Type	6-59/64
30	E486-CL-9*	SHELL ASSY., Fuel Oil Filter	1	Tacalemit Type	57/64
31	E1ADKN-18675-B*	GASKET, Eng. Oil Filter	1	Tacalemit Type	57/5-59
-	E1ADKN-18675-B*	GASKET, Fuel Oil Filter	1	Tacalemit Type	57/64
31	116098-ES*	WASHER, Eng. Oil Filter	1	Tacalemit Type	5-59/64
32	100E-6749-A	GASKET, Eng. Oil Filter	1	AC Type Filter	57/64
33	116098-ES*	WASHER, Fuel Oil Filter	1	Tacalemit Type	6-59/64
34	508E-6741*	BOLT, Eng. Oil Filter	1	AC Type Filter	57/64
34	957E-6741-A*	BOLT, Eng. Oil Filter	1	Tacalemit Type	57/5-59
34	957E-6741-B*	BOLT ASSY., Eng. Oil Filter	1	Tacalemit Type	5-59/64
34	957E-6741-C*	BOLT, Fuel Oil Filter	1	Tacalemit Type	6-59/1-60
34	E2048-T-9*	BOLT ASSY., Engine Oil Filter	1	Use w/E2047-T-9	57/64
-	E455-CL-9*	PLUG, Fuel Oil Filter Head Blanking	1	Tacalemit Type	57/64
-	116073-ES*	WASHER, Flat	1	Tacalemit Type	57/64
-	115783-ES8*	BOLT, 3/8 B.S.F. x 1-1/4 Hex Cone Pt. (Fuel)	1	AC Type Filter	1-60/64
-	116087-ES*	WASHER, Flat Aluminum	1	AC Type Filter	1-60/64

* No Longer Serviced

DEXTA

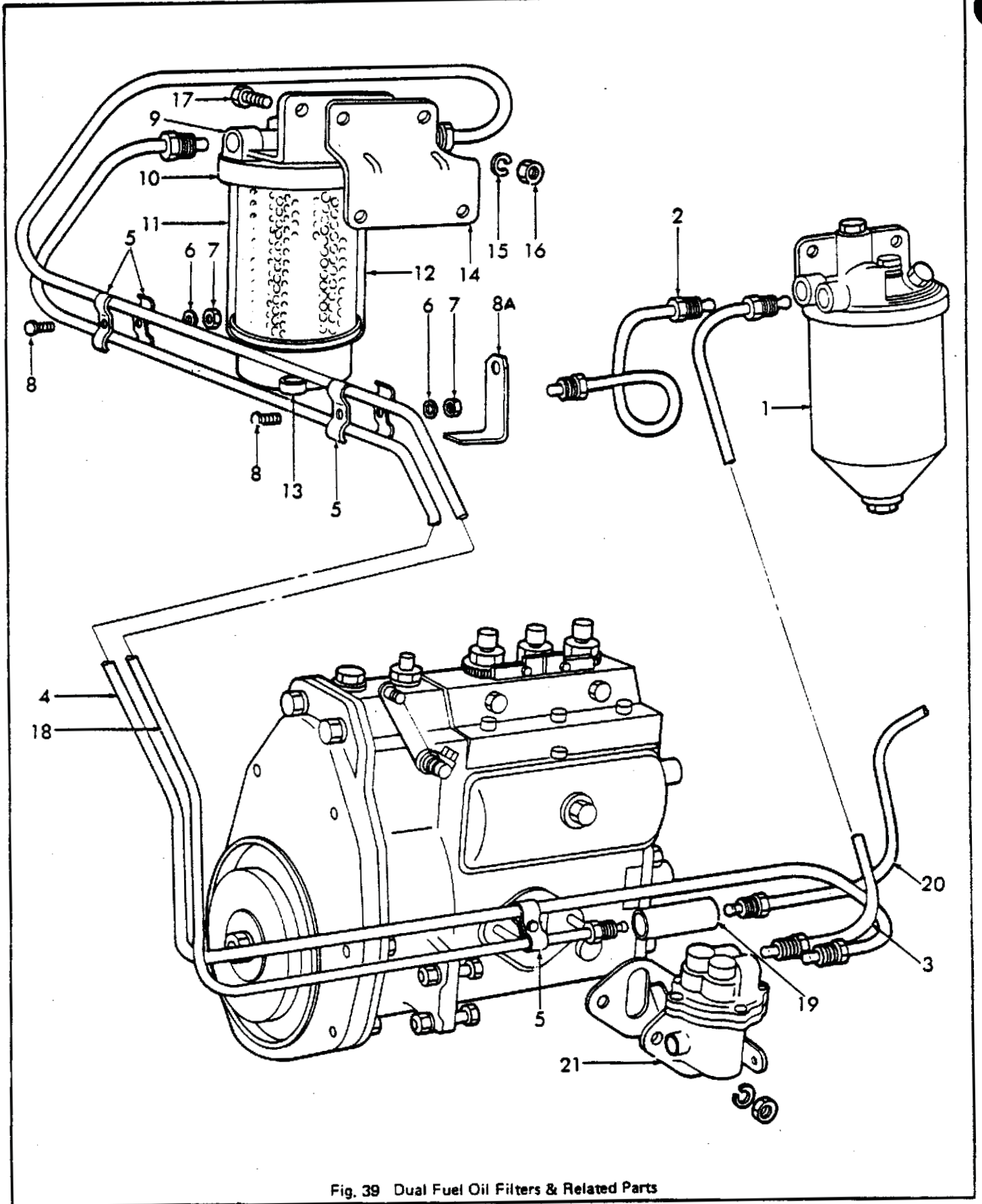


Fig. 39 Dual Fuel Oil Filters & Related Parts

DEXTA

FIG.	PART NO.	PART NAME	QTY.	REMARKS	YEAR
39		<u>DUAL FUEL OIL FILTERS & RELATED PARTS</u>			
1	957E-9155-A*	FILTER ASSY. (See Oil Filter Section)	1		57/64
2	957E-9337-A	PIPE ASSY., (Oil Filter to Inject. Pump)	1		57/12-59
2	957E-9337-B	PIPE ASSY., (Oil Filter to Inject. Pump)	1		1-60/3-62
2	E2055-T-9	PIPE ASSY., (Oil Filter to Inject. Pump)	1		4-62/64
3	957E-9230-B*	PIPE ASSY., (Fuel Pump to Filter)	1		57/3-62
3	957E-9230-C	PIPE ASSY., (Fuel Pump to Filter)	1		4-62/64
4	E803-CL-9*	PIPE ASSY., (Fuel Pump to Dual Filter)	1		63/64
5	118519-ES*	CLAMP, Oil Filter Pipes	6		63/64
6		WASHER, No. 10 Lock	3		63/64
7		NUT, No. 10-32 Hex	3		63/64
8		SCREW, No. 10-32 x 1/2 Rd. Hd. (Pipe Clamp)	3		63/64
8A		BRACKET, Pipe Clamp	1		63/64
9	E1ADDN-99157-D	HEAD (Fuel Oil Filter)	1		63/64
10	E1ADDN-9C310*	RING (Filter Cover Retaining)	1		63/64
11	E1ADDN-9165	COVER (Fuel Filter)	1		63/64
12	E1ADDN-9155-C	FILTER ASSY.	1		63/64
13	E1ADDN-9K274*	PLUG (Filter Drain)	1		63/64
-	E1ADDN-18688-B	GASKET, Filter Head	1		63/64
14	E797-CL-9*	BRACKET, Fuel Filter Mount	1		63/64
15		WASHER, 5/16 Lock	2		63/64
16		NUT, 5/16-18 Hex	2		63/64
17		BOLT, 5/16-18 x 7/8 (Filter to Bracket) Hex Head	2		63/64
18	E80Z-CL-9*	PIPE ASSY., Control Tap to Filter	1		63/64
19	E798-CL-9*	UNION, Dual Filter Pipes	1		63/64
20	957E-9282-B	PIPE, Fuel Tank to Pump	1		63/64
21	957E-9350-B	PUMP ASSY., (See Fuel Pump Section)	1		57/64
		* No Longer Serviced			

DEXTA

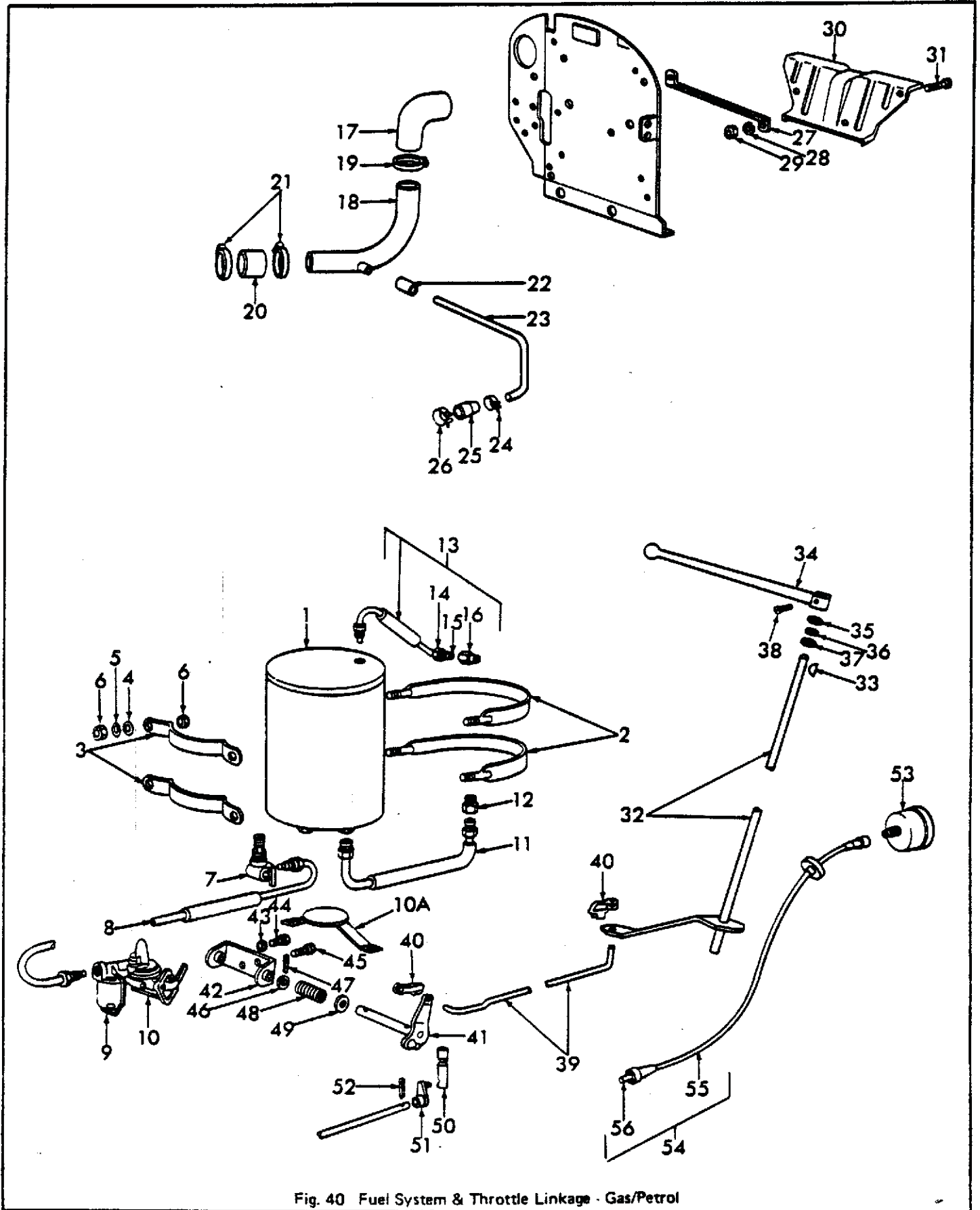


Fig. 40 Fuel System & Throttle Linkage - Gas/Petrol

DEXTA

FIG.	PART NO.	PART NAME	QTY.	REMARKS	YEAR
40		<u>FUEL SYSTEM AND THROTTLE LINKAGE</u> <u>GASOLINE/PETROL</u>			
1	9104*	TANK ASSY.	1		60/64
2	9102*	STRAP	2		60/64
3	E142-JA-9*	STRAP	2		60/64
4		WASHER, 5/16 Flat	4		60/64
5		WASHER, 5/16 Lock	4		60/64
6		NUT, 5/16-24 (Tank Straps)	8		60/64
7	E1ADDN-9189-8*	TAP & SCREW ASSY., Fuel Control	1		60/64
8	959E-9289	PIPE ASSY., Tank to Pump	1	FTO-E	60/64
9	9155*	FILTER & BULB ASSY.	1		60/64
10	9150*	PUMP ASSY., Fuel	1		60/64
10A	E140-JA9*	SUPPORT ASSY.	1		60/64
11	E147-JA-9*	PIPE ASSY., Fuel Tank to Aux. Tank	1		60/64
12	E146-JA-9*	FITTING	1		60/64
13	E130-JA-9*	PIPE ASSY. Consists of Pipe plus:	1		60/64
14	117607-ES7/8	NUT, 5/16 Tubing	2		60/64
15	119984-ES	FERRULE, 5/16	2		60/64
16	E136-JA-9*	FITTING	1		60/64
17	E552-CL-9*	HOSE, Air Cleaner to Connecting Pipe	1		60/64
18	E697-CL-9*	CONNECTING PIPE	1		60/64
19	204E-8287-A*	CLAMP, Air Cleaner Hose to Conn. Pipe	1		60/64
20	E553-CL-9*	HOSE, Connecting Pipe to Carburetor	1		60/64
21	204E-8287-A*	CLAMP, Conn. Pipe to Carburetor Hose	2		60/64
22	E43-CG-9*	CONNECTOR, Crankcase, Vent Pipe-Upper	1		60/64
23	959E-6759*	PIPE, Crankcase Ventilation	1		60/64
24	97203-S*	CLAMP	1		60/64
25	E44-CG-9*	CONNECTOR, Crankcase Vent Pipe-Lower	1		60/64
26	97207-S*	CLAMP	1		60/64
27	E104-NA-9*	SUPPORT, Heat Battery Plate-L.H.	1		60/64
28		WASHER, 5/16 Lock	1		60/64
29		NUT, 5/16-24	1		60/64
30	957E-9052*	SUPPORT ASSY., Fuel Tank Front	1		60/64
31		BOLT, 5/16-24 x 3/4 (Support Attach)	1		60/64
32	9807*	ROD & LEVER ASSY., Throttle Control	1		60/64
33		KEY, 3/32 x 1/2 Woodruff	1		60/64
34	9805*	LEVER ASSY., Throttle Control	1		60/64
35	118290-ES7/8	WASHER, Rod Tension	1		60/64
36	87008-ES	SEAL, Throttle Rod	1		60/64
37	E192-JB-9	RING, Throttle Rod	1		60/64
38	28949-S	SCREW, Oval Head 1/4-28 x 5/16	1		60/64
39	E296-JB-9*	ROD, Operating Lever to Pad	1		60/64
40	C5NE-9A792-A	CLIP, Rod	2		60/64
		* No Longer Serviced			

DEXTA

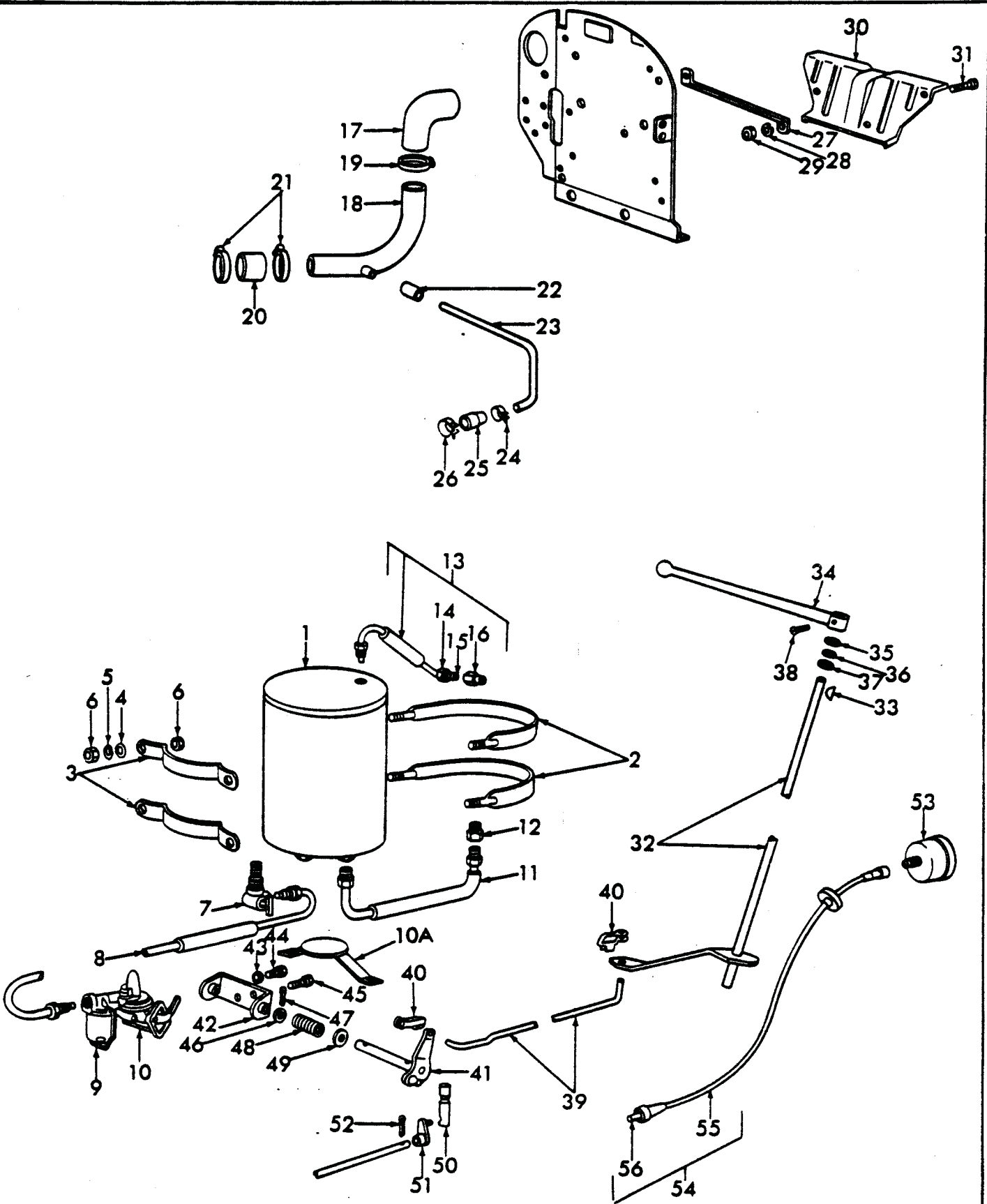


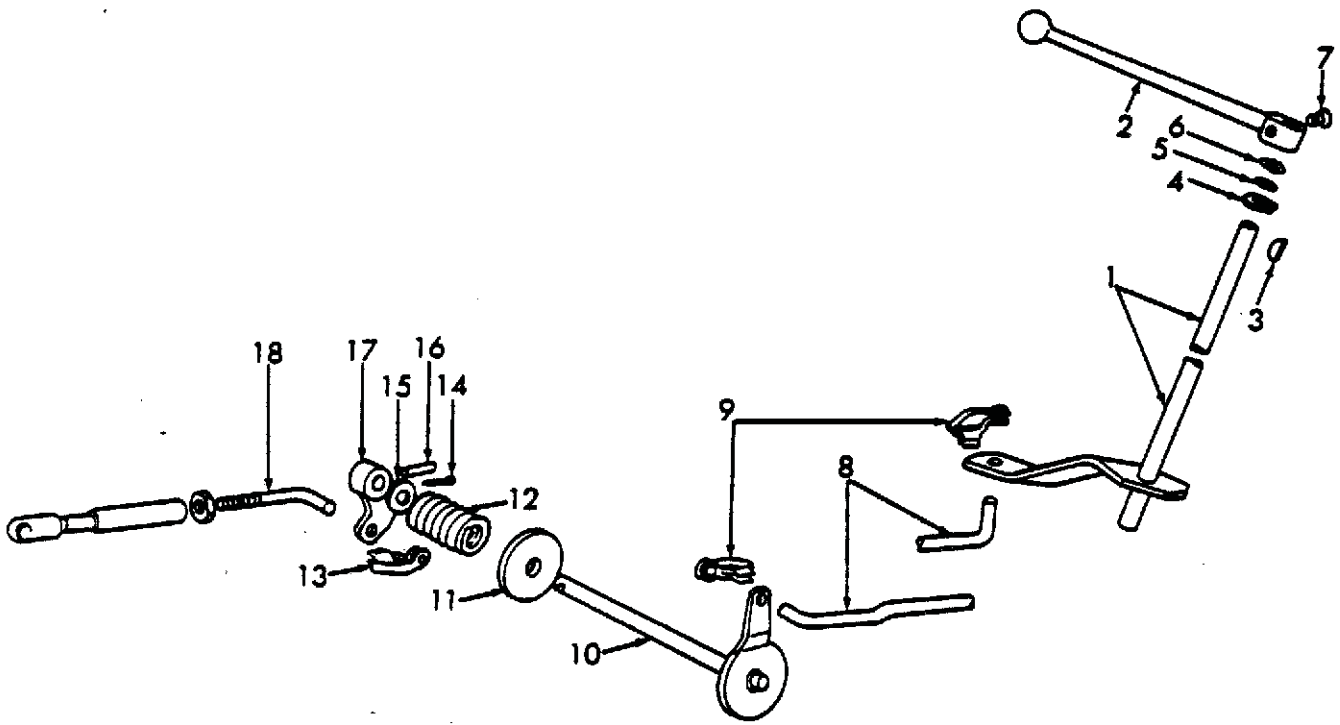
Fig. 40 Fuel System & Throttle Linkage - Gas/Petrol

DEXTA

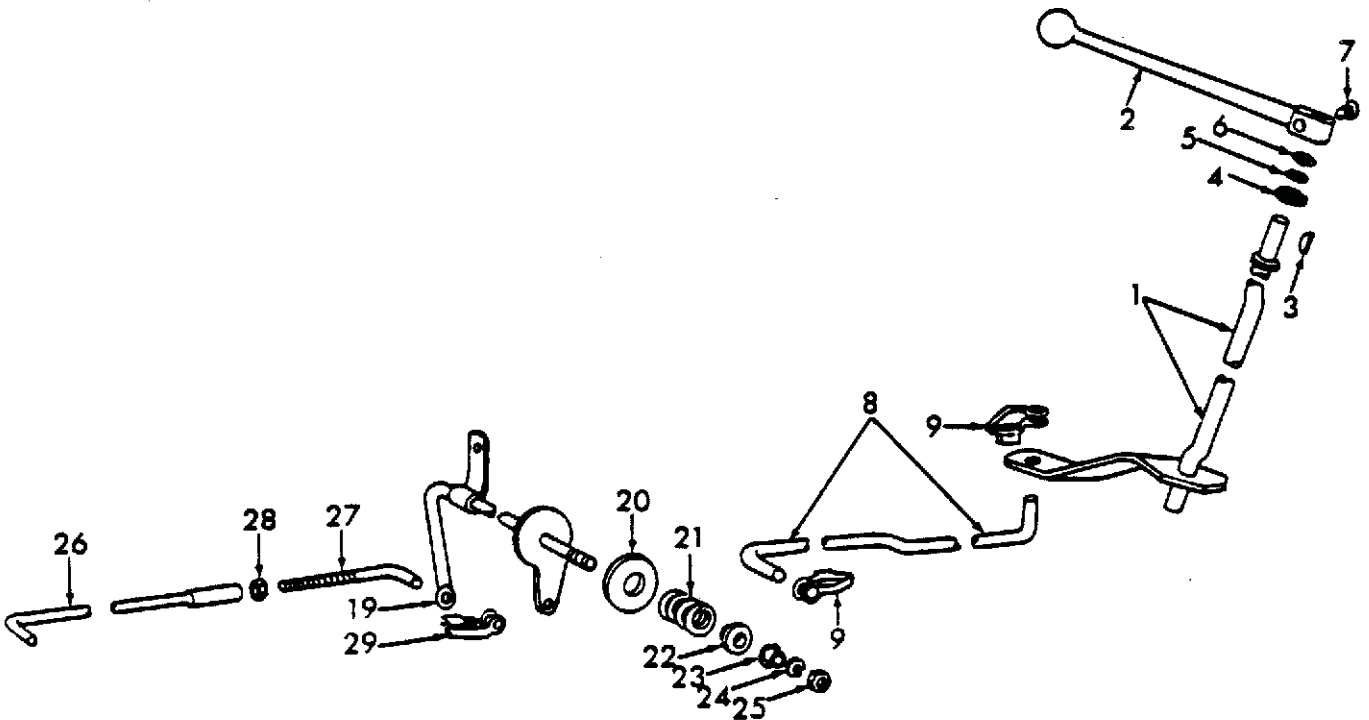
FIG.	PART NO.	PART NAME	QTY	REMARKS	YEAR
40		<u>FUEL SYSTEM AND THROTTLE LINKAGE</u> <u>GASOLINE/PETROL (CONT'D)</u>			
41	959E-9700*	CONTROL ASSY.	1		60/64
42	E338-JB-9*	BRACKET, Control Assy.	1		60/64
43		WASHER, 1/4 Lock	3		60/64
44		BOLT, 1/4-28 x 5/8 (Bracket to Heat Baffle)	2		60/64
45		BOLT, 1/4-28 x 1/2 (Bracket to Heat Baffle)	1		60/64
46		WASHER, 5/16 Flat	1		60/64
47		SPLIT PIN, Spring Retaining 3/32 x 5/8	1		60/64
48	E133-JB-9	SPRING, Throttle Friction Pad	1	FTO-E	60/64
49	E132-JB-9	PAD, Friction	1		60/64
30	E342-JB-9*	CONNECTOR ASSY.	1		60/64
51	E339-JB-9*	LEVER ASSY., Throttle Control	1		60/64
52		PIN, Control Lever to Conn. Lever 1/8 x 5/8	1		60/64
53	959E-17360-A*	SPEEDOMETER ASSY., (Miles)	1		60/64
54	959E-17365-A	CABLE ASSY., Speedometer Consists of:	1	FTO-E	60/64
55	959E-17366-B*	SHAFT	1		60/64
56	17369*	CONDUIT	1		60/64

* No Longer Serviced

DEXTA



THROTTLE CONTROL PNEUMATIC GOVERNOR



THROTTLE CONTROL MECHANICAL GOVERNOR

Fig. 41 Throttle Controls - Pneumatic & Mech. Governor

DEXTA

FIG.	PART NO.	PART NAME	QTY	REMARKS	YEAR
41		<u>THROTTLE CONTROLS</u> <u>PNEUMATIC & MECHANICAL GOVERNOR</u>			
1	957E-9807-B*	ROD, Lever Assy.	1		57/3-62
1	957E-19066*	ROD, Throttle Operating	1		4-62/64
2	957E-9805-B*	LEVER ASSY.	1		57/64
3		KEY, 3/32 x 1/2 Woodruff (Rod to Lever)	1		57/64
4	E192-JB-9*	RING, Operating Rod	1		57/64
5	87008-ES	SEAL, Throttle Rod Bushing	1		57/64
6	118290-ES7/8	WASHER, Rod Tension	1		57/64
7		SCREW, 1/4-28 x 5/16 Oval Head (Lever)	1		1-60/64
-	119976-ES7/8	PIN, 5/32 x 5/8 (Lever to Rod)	1		57/12-69
8	E296-JB-9*	ROD, Operating Rod to Pad	1		57/3-62
8	E423-JB-9*	ROD, Operating Rod to Pad	1		4-62/64
9	C5NE-9A792-A	CLIP, Throttle Linkage	2		57/64
10	E134-JB-9	LEVER ASSY., Friction Pad	1	FTO-E	57/12-59
10	E297-JB-9*	LEVER ASSY., Friction Pad	1		1-60/3-62
11	E132-JB-9*	PAD, Lever Friction	1		57/3-62
12	E133-JB-9	SPRING, Friction Pad	1	FTO-E	57/3-62
13	C5NE-9A792-A	CLIP, Linkage	1		57/3-62
14		PIN, Cotter/Split 1/16 x 1/2	1		57/3-62
15		WASHER, 5/16 Flat	1		57/3-62
16	119975-ES7/8	PIN, Lever to Friction Pad Rod 1/8 x 5/8	1		57/3-62
17	E129-JB-9	LEVER ASSY., Throttle Control	1		57/12-59
17	E298-JB-9	LEVER, Throttle Control	1		1-60/3-62
18	957E-9775	ROD ASSY., Throttle Control	1		57/3-62
19	E421-JB-9*	LEVER ASSY., Friction Pad	1		4-62/64
20	E1ADKN-8487-B*	PAD, Friction	1		4-62/64
21	E1ADKN-19243	SPRING, Throttle Lever	1		4-62/64
22	E443-JB-9*	WASHER, Friction Pad	1		4-62/64
23	E441-JB-9*	BEARING, Friction Pad Lever	1		4-62/64
24		WASHER, 3/8 Flat	1		4-62/64
25	34443-ESA	NUT, 5/16-24 Self Locking	1		4-62/64
26	E1ADDN-19066-A	ROD, Throttle Control	1		4-62/64
27	E299-JB-9*	ROD, Throttle Control	1		4-62/64
28		NUT, 1/4-20 Hex	1		4-62/64
29	C5NE-9A792-A	CLIP, Throttle Control Rod	1		4-62/64
		*. No Longer Serviced			

DEXTA

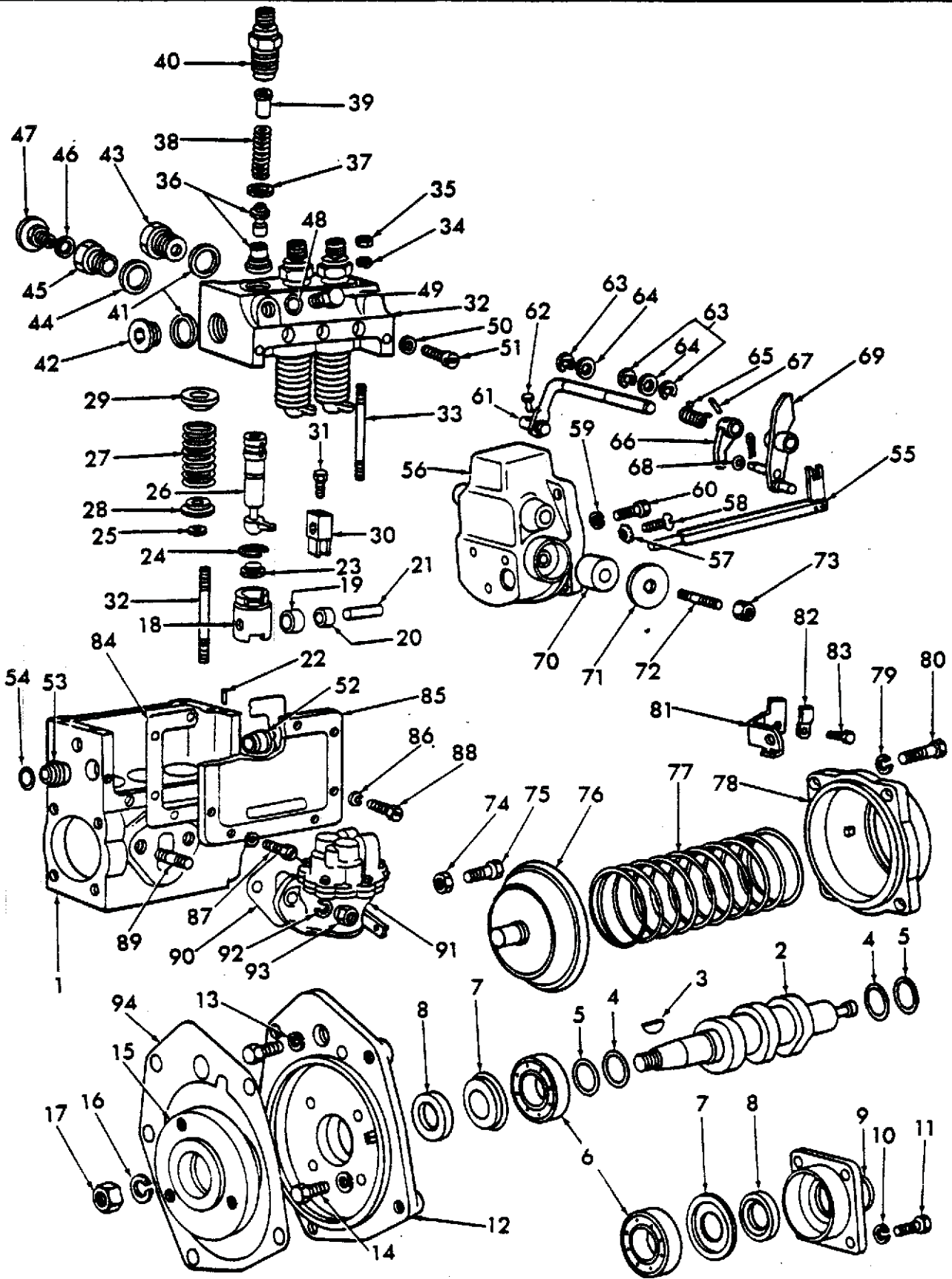


Fig. 42 Fuel Injection Pump w/Pneumatic Gov. 57/3-62

DEXTA

FIG.	PART NO.	PART NAME	QTY	REMARKS	YEAR
42		<u>FUEL INJECTION PUMP WITH</u> <u>PNEUMATIC GOVERNOR (57/3-62)</u>			
	957-993101-A	PUMP ASSY., Fuel Injection - Complete	1	FTO-E	57/3-62
	957E-993101-C*	PUMP ASSY., Fuel Injection - Complete	1	Germany	57/3-62
	957E-993101-AR	PUMP ASSY., Fuel Injection - Complete	1	U.S.	57/3-62
		Consists of:			
1	957E-993200-A*	CAMBOX, Pump	1		57/3-62
2	957E-993201-A	CAMSHAFT, Pump	1		57/3-62
3		KEY, Adaptor to Camshaft (Woodruff) (1/4 x 7/8)	1		57/3-62
4	E1ADDN-993202-B	SHIM, .008" (Pump Camshaft)	2		57/3-62
5	E1ADDN-993202-A	SHIM, .004" (Pump Camshaft)	2		57/3-62
6	E1ADDN-993203	BEARING ASSY., Camshaft	2		57/3-62
7	E1ADDN-993206*	BAFFLE, Camshaft Oil Seal	2		57/3-62
8	E1ADDN-993207*	SEAL, Camshaft Oil	2		57/3-62
9	957E-993204*	HOUSING, Camshaft Bearing	1		57/3-62
10		WASHER, 1/4 Lock	4		57/3-62
11		BOLT, 1/4-20 x 5/8 (Housing to Cambox)	4	Except FTO-E	57/3-62
12	E364-CL-9*	END PLATE, Pump Mounting	1		57/3-62
13		WASHER, 1/4 Lock	5		57/3-62
14		BOLT, 1/4-20 x 5/8 (End Plate to Cambox)	5		57/3-62
15	E363-CL-9*	ADAPTOR, Pump Driving Gear	1		57/3-62
16		WASHER, 1/2 Lock	1		57/3-62
17		NUT, 1/2-20 (Adaptor to Camshaft)	1		57/3-62
-	112908-ES	BOLT, End Plate to Cambox	4	FTO-E Only	57/3-62
18	E1ADDN-993235-C	BODY, Pump Tappet	3		57/3-62
19	E1ADDN-993236-B	ROLLER, Pump Tappet	3		57/3-62
20	E1ADDN-993238-B	BUSHING, Tappet Roller	3		57/3-62
21	E1ADDN-993237	PIN, Pump Tappet Roller	3		57/3-62
22	E134-CL-9*	PIN, Dowel (Control Rod Bushing)	1		57/3-62
23	E1ADDN-993241-F*	SPACER, Pump Tappet .179" to .181"	AR		57/3-62
23	E1ADDN-993241-G	SPACER, Pump Tappet .183" to .185"	AR		57/3-62
23	E1ADDN-993241-H	SPACER, Pump Tappet .187" to .189"	AR		57/3-62
23	E1ADDN-993241-J*	SPACER, Pump Tappet .191" to .193"	AR		57/3-62
23	E1ADDN-993241-K	SPACER, Pump Tappet .195" to .197"	AR		57/3-62
23	957E-993241-A*	SPACER, Pump Tappet .199" to .201"	AR		57/3-62
23	957E-993241-B*	SPACER, Pump Tappet .203" to .205"	AR		57/3-62
24	E1ADDN-993239-B	RING, Snap/Circlip (Pump Tappet)	3		57/3-62
25	E1ADDN-993234*	SHIM, Pump Plunger	AR		57/3-62
26	957E-993153	BARREL & PLUNGER ASSY., Pump	3		57/3-62
27	E1ADDN-993232	SPRING, Pump Plunger Return	3		57/3-62
28	E1ADDN-993233	DISC, Plunger Spring, Lower	3		57/3-62
29	502E-993240	DISC, Plunger Spring, Upper	3		57/3-62
30	E1ADDN-993208	FORK, Plunger Control	3		57/3-62
31	E1ADDN-993209*	SCREW, Control Fork Locating	3		57/3-62
32	957E-993121-B*	BODY, Pump	1		57/3-62
		* No Longer Serviced			

DEXTA

FIG.	PART NO.	PART NAME	QTY.	REMARKS	YEAR
42		<u>FUEL INJECTION PUMP WITH</u> <u>PNEUMATIC GOVERNOR (57/3-62) (CONT'D)</u>			
33	117457-ES	STUD, 1/4-20, 1/4-20 x .770 mm (Body to Cambox)	4		57/3-62
34		WASHER, 1/4 Lock	4		57/3-62
35		NUT, 1/4-20 (Body to Cambox)	4		57/3-62
36	502E-993227	VALVE & GUIDE ASSY., Pump Delivery	3		57/3-62
37	E1ADDN-993230	WASHER, Delivery Valve	3		57/3-62
38	E1ADDN-993231*	SPRING, Delivery Valve	3		57/3-62
39	E1ADDN-993243	REDUCER, Injection Pump	3		57/3-62
40	957E-993228-A	HOLDER, Delivery Valve	3		57/3-62
41	116006-ES	WASHER, 3/4 (Connection to Pump)	2		57/3-62
42	E248-CL-5*	PLUG, Pump Gallery End	1		57/3-62
43	E1ADDN-993122	CONNECTION, Fuel Inlet	1		57/3-62
44	116094-ES	WASHER, Pump Damper to Body	1	FTO-E Only	57/3-62
45	E416-CL-9*	ADAPTOR, Damper to Body	1		57/3-62
46	116115-ES	WASHER, Damper to Adaptor (1/2 I.D. x 45/64 x 1/32 Flat)	1		57/3-62
47	E417-CL-9*	DAMPER ASSY., Pump Gallery	1		57/3-62
48	118194-ES	WASHER, 25/64 I.D. x 9/16 O.D. x 1/32 Flat	1		57/3-62
49	E1ADDN-993125	SCREW, Pump Body Air Bleed	1		57/3-62
50	118154-ES	WASHER, Fiber Special 1/4 I.D. x 3/8 O.D.	3		57/3-62
51	E1ADDN-993229*	SCREW, Pump Barrel Locating	3		57/3-62
52	E407-CL-9	BUSHING, Pump Control Rod-Gov. End	1		57/3-62
53	957E-993210	BUSHING, Pump Control Rod-Drive End	1		57/3-62
54	116502-ES	SEAL	1		57/3-62
55	957E-993211*	ROD ASSY., Pump Control	1		57/3-62
56	957E-993102	CASE, Pump Governor-Inner	1		57/3-62
57	118199-ES7	WASHER .260 I.D. Countersunk	1		57/3-62
58		SCREW, 1/4-20 x 5/8 Flat Hd. (Case to Cambox)	1		57/3-62
59		WASHER, 1/4 Lock	2		57/3-62
60		BOLT, 1/4-20 x 5/8 Hex Hd. (Case to Cambox)	2		57/3-62
61	957E-993215-A	SHAFT ASSY., Pump Stop Control	1		57/3-62
62	995953-ES7/8*	SCREW, Stop Control Shaft Trunnion	1		57/3-62
63	E240-CL-9*	CLIP, Stop Control Shaft	3		57/3-62
64	996412-ES7/8*	WASHER, Stop Control Shaft	2		57/3-62
65	E360-CL-9*	SPRING, Stop Control Return	1		57/3-62
66	E359-CL-9	LEVER, Stop Control	1		57/3-62
67	116314-ES	PIN, Lever to Link (1/8 x 9/16)	1		57/3-62
68	118105-ES	WASHER, Stop Control Shaft Trunnion	1		57/3-62
-	995901-ES7	SCREW, Control Stop Trunnion	1		57/3-58
69	E358-CL-9	LINK, Pump Governor	1		57/3-62
70	E1ADDN-993104*	CAPSULE, Governor Air Filter	1		57/3-62
71	957E-993105	CAP Governor Air Filter	1		57/3-62
72	88390-ES2*	STUD, Cap to Governor Case	1		57/3-62
73	117685-ES	NUT, 1/4-20 Hex Nyloc	1		57/3-62

* No Longer Serviced

DEXTA

FIG.	PART NO.	PART NAME	QTY	REMARKS	YEAR
42		<u>FUEL INJECTION PUMP WITH</u> <u>PNEUMATIC GOVERNOR (57/3-62) (CONT'D)</u>			
74	117683-ES*	NUT	1		57/3-62
75	957E-993220	SCREW, Maximum Fuel Stop	1		57/3-62
76	E354-CL-9	DIAPHRAGM ASSY., Pump Governor	1		57/3-62
77	502E-993120*	SPRING, Governor Diaphragm	1		57/3-62
77	957E-993120*	SPRING, Governor Diaphragm	1	Germany Only	57/3-62
78	957E-993108	CASE, Governor (Outer)	1		57/3-62
79		WASHER, 1/4 Lock	4		57/3-62
80	115792-ES	BOLT, Case to Inner Case	4	FTO-E	57/3-62
81	E382-CL-9*	BRACKET, Stop Control	1		57/3-62
82	EOTA-9792	CLIP, Stop Control Bracket	1		57/3-62
83	995936-ES7	SCREW	1	FTO-E	57/3-62
84	957E-993145*	GASKET, Pump Inspection Cover	1		57/3-62
85	957E-993144-A	COVER, Pump Inspection	1		57/3-62
86	996417-ES2*	WASHER, Cover	8		57/3-62
87	115716-ES	BOLT, Cover	2		57/3-62
88	115715-ES	BOLT, Cover (Slotted Head)	6		57/3-62
89	117453-ES	STUD, Lift Pump to Injection Pump	2		57/3-62
90	Y-9374	GASKET, Lift Pump to Inject. Pump	1		57/3-62
91	957E-9350-B	PUMP, Fuel (See Fuel Pump Section)	1		57/3-62
92		WASHER, 5/16 Lock	2		57/3-62
93	117600-ES7	NUT, 5/16-24 Special Hex (Fuel Pump to Pump)	2		57/3-62
94	957E-9364	GASKET, Pump to Timing Gear Housing	1		57/3-62
-	88421-S*	STUD, Pump to Timing Gear Housing	1		57/3-62
-		WASHER, 5/16 Lock	1		57/3-62
-		NUT, 5/16-24 Pump to Timing Gear Housing	1		57/3-62
-	E318-CL-9*	PIPE, Pump Drain	1		57/3-62
-	117623-ES*	NUT, Drain Pipe	1		57/3-62
-	119990-ES	FERRULE	1		57/3-62
-	E411-CL-9*	GEAR, Pump Drive	1		57/3-62
-	E316-CL-9*	PLATE, Drive Gear Retaining	1		57/3-62
-		WASHER, 5/16 Shakeproof Lock	3		57/3-62
-		BOLT, 5/16-24 x 7/8 Plate to Adaptor	3		57/3-62
		* No Longer Serviced			

DEXTA

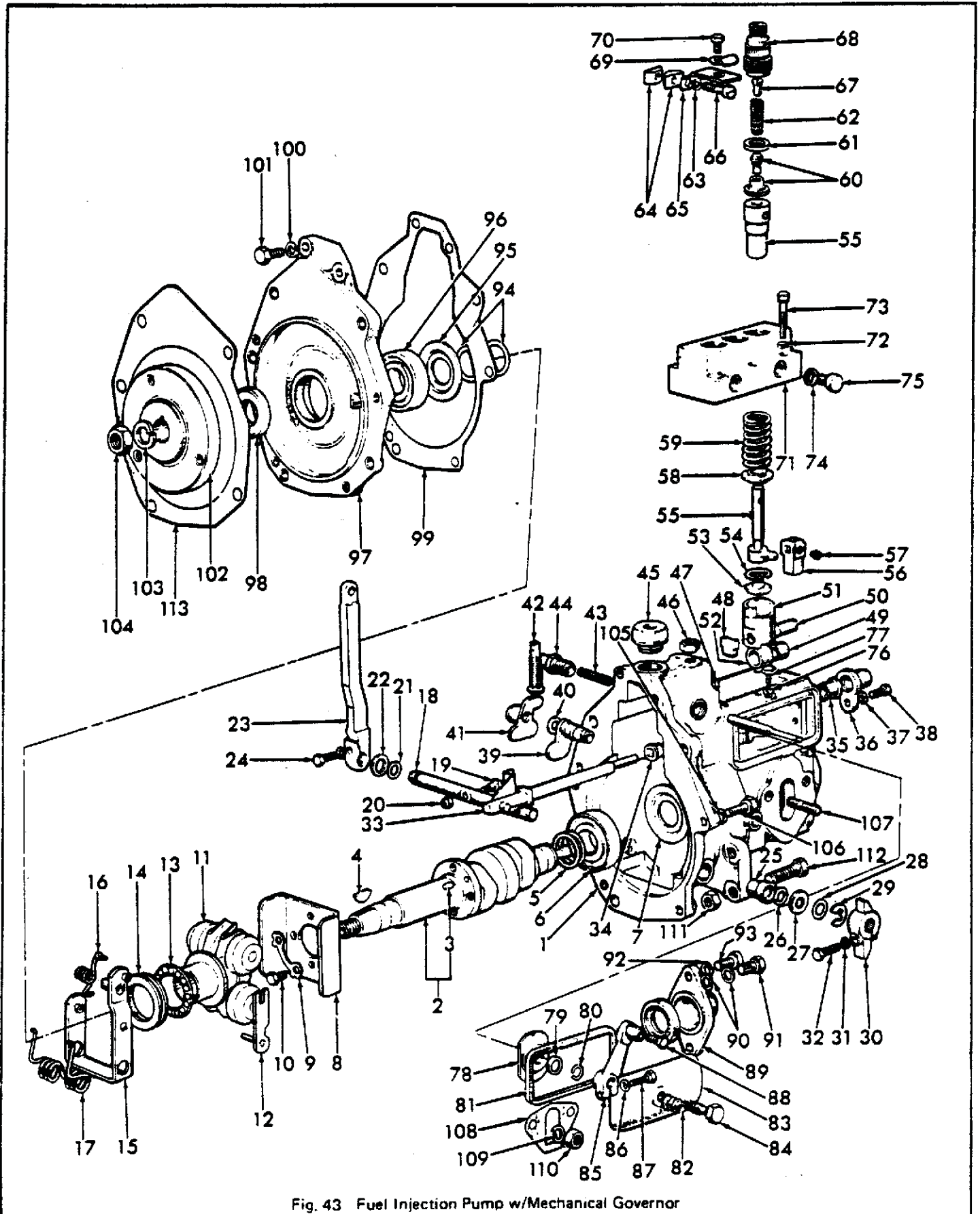


Fig. 43 Fuel Injection Pump w/Mechanical Governor

DEXTA

FIG.	PART NO.	PART NAME	QTY.	REMARKS	YEAR
43		<u>FUEL INJECTION PUMP WITH</u> <u>MECHANICAL GOVERNOR</u>			
	957E-993101-D	PUMP ASSY., Injection (w/Mech. Gov.)	1	FTO-E	4-62/5-63
	957E-993101-DR	PUMP ASSY., Injection (w/Mech. Gov.)	1	U.S.	4-62/5-63
	960E-993101	PUMP ASSY., Injection (w/Mech. Gov.)	1	FTO-E	6-63/64
	960E-993101-R	PUMP ASSY., Injection (w/Mech. Gov.)	1	U.S.	6-63/64
		Consists of:			
1	E793-CL-9*	CAMBOX ASSY.	1		4-62/64
2	957E-993201-B	CAMSHAFT ASSY.	1		4-62/64
		Consists of Camshaft plus:			
3	CONN-9E569-A	PIN, Dowel (Camshaft)	1		4-62/64
4		KEY, Camshaft 5/32 x 5/8 Woodruff	1		4-62/64
5	E1ADDN-993202-A	SHIM, .004"/.1016 mm (Camshaft)	AR		4-62/64
5	E1ADDN-993202-B	SHIM, .008"/.2032 mm (Camshaft)	AR		4-62/64
6	E1ADDN-993203	BEARING ASSY., Camshaft-Rear	1		4-62/64
7	CONN-9E573-A	WASHER (Baffle)	1		4-62/64
8	E1ADDN-9C537	BACKPLATE	1		4-62/64
9	E1ADDN-9C554	WASHER, Tab (Backplate to Camshaft)	2		4-62/64
10	112905-ES	SCREW No. 12-28 x 3/8 (Backplate to Camshaft)	4		4-62/64
11	E715-CL-9	CARRIER & WEIGHT ASSY., Pump Gov.	1		4-62/64
12	E724-CL-9	LINK, Governor	1		4-62/64
13	CONN-9C553-A	BEARING, Pump Thrust	1		4-62/64
14	CONN-9C550-A	PAD, Pump Thrust	1		4-62/64
15	E723-CL-9*	FORK, Governor	1		4-62/64
16	E725-CL-9*	SPRING, Governor Link	1		4-62/64
17	E719-CL-9	SPRING, Governor	1		4-62/64
18	957E-9C570	SHAFT, Pump Control	1		4-62/64
19	CONN-9E580-A	PIN, Governor Spring	1		4-62/64
20	CONN-9E582-A	NUT, Gov. Spring to Control Shaft	1		4-62/64
21	CONN-9E581-A	SEAL, Control Shaft (Handle Side)	1		4-62/64
22	C3NN-9F599-A	WASHER, Control Shaft	1		4-62/64
23	957E-9C534	LEVER ASSY., Pump Control	1		4-62/64
24		SCREW, Control Lever Stop-No. 10-24 x 5/8	1		4-62/64
25	C5NN-9C598-A	BUSHING, Pump Control Shaft	2		4-62/64
26	CONN-9E581-A	SEAL, Control Shaft	1		4-62/64
27	CONN-9D529-A*	WASHER, Control Shaft	1		4-62/64
28	CONN-9D521-A	SHIM, Control Shaft	2		4-62/64
29	358675-S2	RING, .296" Snap (Control Shaft)	2		4-62/64
30	E780-CL-9	QUADRANT, Pump Stop	1		4-62/64
31		WASHER, No. 10 Lock	1		4-62/64
32		SCREW, No. 10-24 x 7/8 (Quadrant to Shaft)	1		4-62/64
33	957E-993211-B*	ROD ASSY., Control	1		4-62/64
34	C5NE-9C595-A	BUSHING, Control Rod	1	Use w/C5NN-9E564-A	4-62/64
35	CONN-9C595-C	BUSHING, Control Rod	1	Use w/CONN-9C597-A	4-62/64
36	C5NE-9E564-A	COVER, Control Rod	1		4-62/64
37		WASHER, No. 10 Lock	1		4-62/64

* No Longer Serviced

DEXTA

FIG.	PART NO.	PART NAME	QTY.	REMARKS	YEAR
43		<u>FUEL INJECTION PUMP WITH</u> <u>MECHANICAL GOVERNOR (CONT'D)</u>			
38		SCREW, No. 10-24 x 9/16 (Cover to Housing)	1		4-62/64
39	E731-CL-9	SHAFT ASSY., Pump Stop Control	1		4-62/64
40	CONN-9D526-A	SEAL, Excess Shaft	2		4-62/64
41	E728-CL-9	LEVER ASSY., Pump Max. Fuel Stop	1		4-62/64
-	305026-S	PIN, 3/32 x 1/2 Spring (Lever to Shaft)	1		4-62/64
-	C3NN-9C589-A	SHAFT, Excess Fuel	1		4-62/64
42	CONN-9C542-A	SCREW, Max. Fuel Stop	1		4-62/64
43	C5NN-9C591-A	SPRING, Excess Shaft Return	1		4-62/64
44	CONN-9C590-A	BEARING, Excess Shaft	1		4-62/64
45	115451-ES*	FITTING, Fuel Filler	1		4-62/64
46		NUT, 5/16-24 Hex	2		4-62/64
47	353753-S	PIN, Pump Control Rod Bushing Retaining	1		4-62/64
48	957E-9C585-A	LOCATOR, Tappet	3		4-62/64
49	CONN-9C588-A	BUSHING, Tappet Roller	3		4-62/64
50	CONN-9D520-A	PIN, Tappet Roller	3		4-62/64
51	CONN-9C584-B	BODY, Tappet	3		4-62/64
52	CONN-9C587-A	ROLLER, Tappet	3		4-62/64
53	CONN-9C586-A	SPACER, Tappet No. 6	3	4.4/4.35 mm	4-62/64
53	CONN-9C586-B	SPACER, Tappet No. 7	3	4.5/4.45 mm	4-62/64
53	CONN-9C586-C	SPACER, Tappet No. 8	3	4.6/4.55 mm	4-62/64
53	CONN-9C586-D	SPACER, Tappet No. 9	3	4.7/4.65 mm	4-62/64
53	CONN-9C586-E	SPACER, Tappet No. 10	3	4.8/4.75 mm	4-62/64
53	CONN-9C586-F	SPACER, Tappet No. 1	AR	3.9/3.85 mm	6-63/64
53	CONN-9C586-G	SPACER, Tappet No. 2	AR	4.0/3.95 mm	6-63/64
53	CONN-9C586-H	SPACER, Tappet No. 3	AR	4.1/4.05 mm	6-63/64
53	CONN-9C586-J	SPACER, Tappet No. 4	AR	4.2/4.15 mm	6-63/64
53	CONN-9C586-K*	SPACER, Tappet No. 5	AR	4.3/4.25 mm	6-63/64
54	E1ADDN-993239B	SNAP RING/CIRCLIP, Tappet	3		4-62/64
55	957E-993153-B	BARREL & PLUNGER ASSY.	3		4-62/64
56	CONN-9C599-A	FORK, Control	3		4-62/64
57	E1ADDN-9D500*	SCREW, Control Fork	3		4-62/64
58	CONN-9C558-U	DISC, Tappet Return Spring Lower-No. 1B	3	.60/.65 mm	4-62/64
58	CONN-9C558-V	DISC, Tappet Return Spring Lower-No. 2B	3	.75/.70 mm	4-62/64
58	CONN-9C558-Y	DISC, Tappet Return Spring Lower-No. 3B	3	.85/.80 mm	4-62/64
58	CONN-9C558-Z	DISC, Tappet Return Spring Lower-No. 4B	3	.95/.90 mm	4-62/64
58	CONN-9C558-AA	DISC, Tappet Return Spring Lower-No. 5B	3	1.05/1.00 mm	4-62/64
58	CONN-9C558-AB	DISC, Tappet Return Spring Lower-No. 6B	3	1.15/1.10 mm	4-62/64
58	CONN-9C558-AC	DISC, Tappet Return Spring Lower-No. 7B	3	1.25/1.20 mm	4-62/64
58	CONN-9C558-AD	DISC, Tappet Return Spring Lower-No. 8B	3	1.35/1.30 mm	4-62/64
58	CONN-9C558-AE	DISC, Tappet Return Spring Lower-No. 9B	3	1.45/1.40 mm	4-62/64
58	CONN-9C558-AF	DISC, Tappet Return Spring Lower-No. 10B	3	1.55/1.50 mm	4-62/64
58	CONN-9C558-AG	DISC, Tappet Return Spring Lower-No. 11B	3	1.65/1.60 mm	4-62/64
58	CONN-9C558-AH	DISC, Tappet Return Spring Lower-No. 12B	3	1.75/1.60 mm	4-62/64
58	CONN-9C558-AJ	DISC, Tappet Return Spring Lower-No. 13B	3	1.85/1.80 mm	4-62/64
58	CONN-9C558-AK	DISC, Tappet Return Spring Lower-No. 14B	3	1.95/1.90 mm	4-62/64
58	CONN-9C558-AL	DISC, Tappet Return Spring Lower-No. 15B	3	2.05/2.00 mm	4-62/64
58	CONN-9C558-AM	DISC, Tappet Return Spring Lower-No. 16B	3	2.15/2.10 mm	4-62/64
		* No Longer Serviced			

DEXTA

FIG.	PART NO.	PART NAME	QTY.	REMARKS	YEAR
43		<u>FUEL INJECTION PUMP WITH MECHANICAL GOVERNOR (CONT'D)</u>			
59	CONN-9C576-A	SPRING, Plunger Return	3		4-62/64
60	E1ADDN-993227-B	VALVE & GUIDE ASSY., Delivery	3		4-62/64
61	CONN-9C557-A	RING, Delivery Valve Joint	3		4-62/64
62	CONN-9D509-A	SPRING, Delivery Valve	3		4-62/64
63		WASHER, No. 10 Lock	3		4-62/64
64	CONN-9D510-A	CLAMP, Delivery Valve Retainer	2	With Plain Hole	4-62/64
64	CONN-9D510-B	CLAMP, Delivery Valve Retainer	2	With Threaded Hole	4-62/64
65	E782-CL-9*	BRACKET ASSY., Stop Control	1		4-62/64
66	D3NN-9D571-A	SCREW, Delivery Valve Clamp	2		4-62/64
67	CONN-9D511-B	REDUCER, Volume	3		4-62/64
68	957E-993228-B	RETAINER, Delivery Valve	3		4-62/64
-	CONN-9D512-A	VALVE & GUIDE ASSY., Delivery	3	Super Dexta	6-63/64
69	EOTA-9792	CLIP, Control Stop	1		4-62/64
70		BOLT, Stop Clip	1		4-62/64
71	957E-993121-C*	BODY, Injection Pump	1		4-62/64
72		WASHER, No. 10 Lock	8		4-62/64
73	D3NN-9D571-A	BOLT, Body to Pump Housing	8		4-62/64
74	380428-S	WASHER, 5/16 Flat	4		4-62/64
75	CONN-9C541-A	SCREW, Air Vent	2		4-62/64
76		WASHER, No. 10 Lock	1		4-62/64
77	113659-ES	BOLT, Bridge Securing No. 10-24 x 13/32	1		4-62/64
78	CONN-9C540-A	BRIDGE, Side Cover Retainer	1		4-62/64
79	374864-S2	WASHER, Stop Control Shaft Retaining	1		4-62/64
80	374866-S2	CIRCLIP, Stop Control Shaft Retaining	1		4-62/64
81	957E-993145-B	GASKET, Inspection Cover	1		4-62/64
82	C3NN-9C571-A	CAP, Excess Fuel Dust Cover	1		4-62/64
83	957E-993144-B*	COVER, Inspection	1		4-62/64
84	113661-ES	BOLT, 5/16-18 x 25/32 (Inspection Cover)	1		4-62/64
85	957E-993215-B	LEVER ASSY., Stop Control	1		4-62/64
86		WASHER, No. 10 Lock	1		4-62/64
87		SCREW, No. 10-24 x 5/8 (Stop Control Lever)	1		4-62/64
88		SCREW, No. 10-24 x 1/2	1		4-62/64
89	E734-CL-9	CONNECTOR, Tachometer	1		4-62/64
90	380428-S	WASHER, 5/16 Flat	2		4-62/64
91		BOLT, 5/16-24 x .62	2		4-62/64
92		WASHER, 1/4 Lock	2		4-62/64
93		BOLT, 1/4-20 x 5/8	2		4-62/64
94	E1ADDN-993202-A	SHIM, Camshaft .004" Thick	AR		4-62/64
94	E1ADDN-993202-B	SHIM, Camshaft .008" Thick	AR		4-62/64
95	CONN-9E573-A	WASHER, Baffle	1		4-62/64
96	E1ADDN-993203	BEARING, Camshaft	1		4-62/64
97	957E-9C535	COVER, Governor	1		4-62/64
98	E1ADDN-993207	SEAL, Camshaft Bearing Oil	2		4-62/64
99	E781-CL-9	GASKET, Governor Cover	1		4-62/64

*No Longer Serviced

DEXTA

FIG.	PART NO.	PART NAME	QTY.	REMARKS	YEAR
43		<u>FUEL INJECTION PUMP WITH</u> <u>MECHANICAL GOVERNOR (CONT'D)</u>			
100		WASHER, 1/4 Lock	2		4-62/64
101		BOLT, 1/4-20 x 5/8 (Cover to Housing)	2		4-62/64
102	E783-CL-9*	ADAPTOR, Pump Driving Gear	1		4-62/64
103		WASHER, 1/2 Lock	1		4-62/64
104		NUT, 1/2-20 (Adaptor to Camshaft)	1		4-62/64
105		WASHER, 1/4 Lock	7		4-62/64
106		BOLT, 1/4-20 x 7/8 (Cover to Housing)	5		4-62/64
106		BOLT, 1/4-20 x 5/8 (Cover to Housing)	2		4-62/64
107	117453-ES	STUD, Lift Pump to Inject. Pump	2		4-62/64
108	Y-9374	GASKET, Lift Pump	1		4-62/64
109		WASHER, 5/16 Lock	2		4-62/64
110	117600-ES7	NUT, 5/16-24 (Lift Pump to Inject. Pump)	2		4-62/64
111		NUT, 5/16-24	2		4-62/64
112	957E-9C542	BOLT, Control Lever Stop	2		4-62/64
113	957E-9364	GASKET, Pump Timing Gear Housing	1		4-62/64
		* No Longer Serviced			

DEXTA

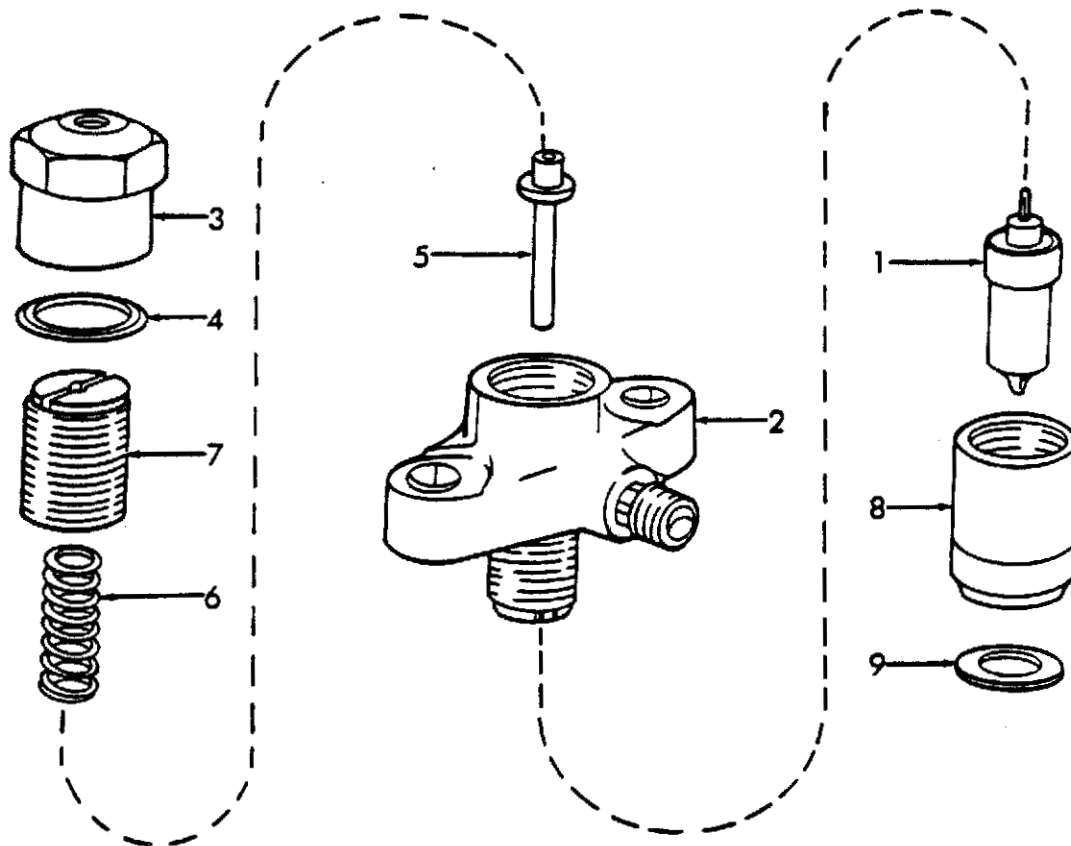


Fig. 44 Fuel Injector Assy.

FIG.	PART NO.	PART NAME	QTY	REMARKS	YEAR
44		<u>FUEL INJECTOR ASSEMBLY</u>			
	960E-993157-A	INJECTOR ASSY., Fuel	3	FTO-E	57/64
	957E-993157	INJECTOR ASSY., Fuel	3	U.K. Only	57/64
	960E-993157-AR	INJECTOR ASSY., Fuel	3	U.S.	57/64
		Consists of:			
1	957E-993149	NOZZLE ASSY., Injector	3	U.K. - FTO-E	57/64
1	960E-993149	NOZZLE ASSY., Injector	3	U.S.	57/64
-	957E-993150	HOLDER ASSY., Injector (U.K. order components)	3	Except U.K.	57/64
		Consists of:			
2	957E-993190	BODY ASSY. NOZZLE HOLDER	3		57/64
3	E1ADDN-993196-B*	NUT, Injector Cap	3		57/64
4	E1-CL-9	WASHER, Cap Nut	3		57/64
5	957E-993192	SPINDLE & CUP ASSY.	3		57/64
6	E1ADDN-993193	SPRING, Injector	3		57/64
-	E1ADDN-993194*	PLATE, Spring	3		57/64
7	C5NE-9F540-A	NUT, Spring Cap	3		57/64
8	957E-993191	NUT, Nozzle Retaining	3		57/64
9	118358-ES	WASHER, Injector Seating (9/16 x 13/16 x 1/16)	3		57/64
-	957E-6057*	STUD, Injector to Head	6		57/64
-		WASHER, 3/8	6		57/64
-	117642-ES	NUT, 3/8-24 Hex Special (Injector Mount)	6		57/64
		* No Longer Serviced			

DEXTA

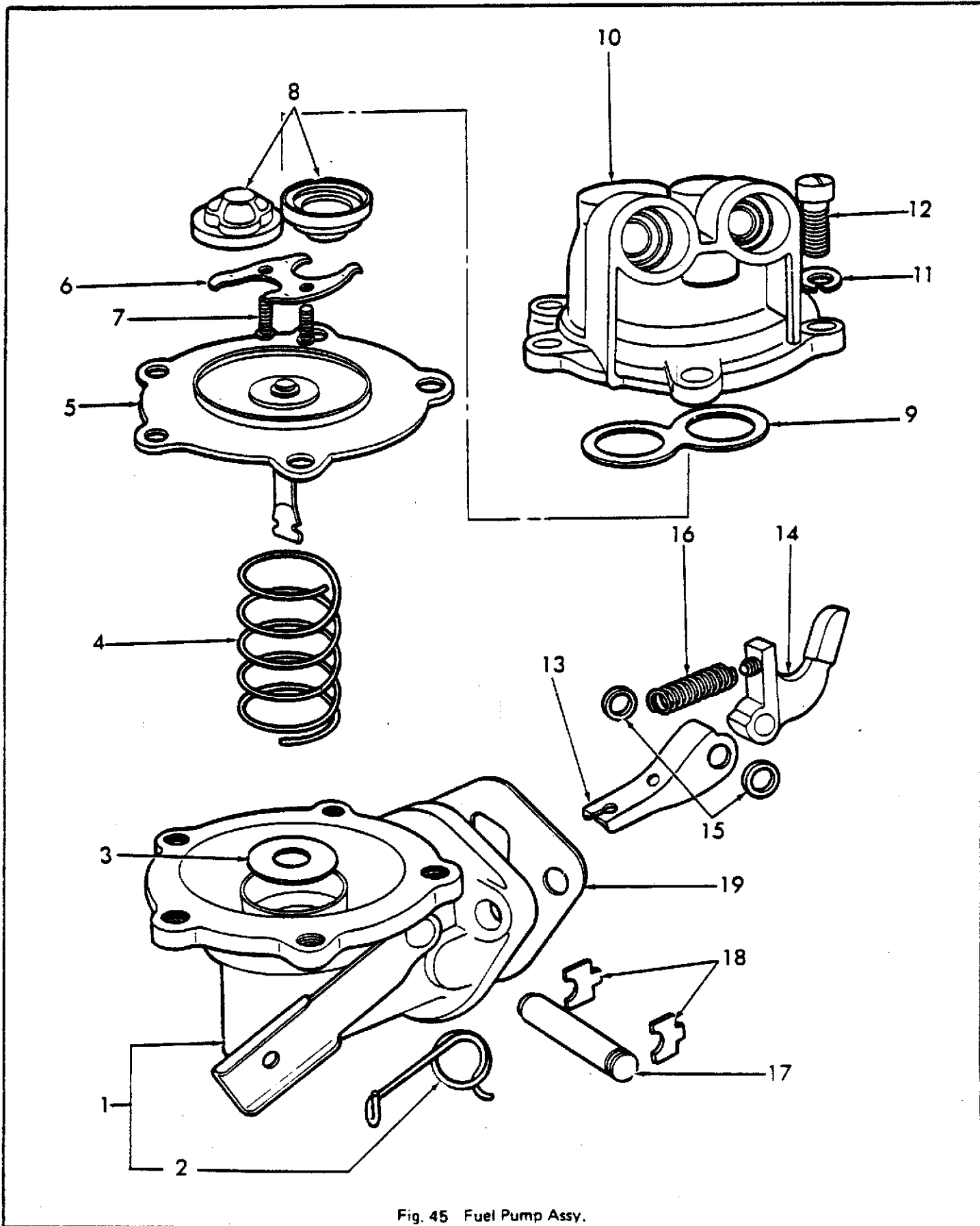


Fig. 45 Fuel Pump Assy.

DEXTA

FIG.	PART NO.	PART NAME	QTY.	REMARKS	YEAR
45		<u>FUEL PUMP ASSEMBLY</u>			
-	957E-9350-B	PUMP ASSY., Fuel	1		57/64
1	957E-9413-C	Consists of: BODY & LEVER ASSY., Pump (Lower)	1	FTO-E	57/64
2	E04A-9345*	Consists of Body plus: SPRING, Primer Lever	1		57/64
3	100E-9469*	WASHER, Pump Oil Seal (Lower)	1		57/64
4	502E-9396*	SPRING, Pump Diaphragm	1		57/64
5	2400E-9398-A	DIAPHRAGM ASSY., Pump	1		57/64
6	11A-9361*	PLATE, Pump Valve Retaining	1		57/58
7		SCREW, No. 6-32 x 3/8 (Plate to Body)	1		57/58
8	105E-9352	VALVE ASSY., Pump	2		57/64
9	11A-9367-A	GASKET, Valve to Body	1	FTO-E	57/58
10	404E-9351-A	BODY ASSY., Pump (Upper)	1	FTO-E	57/64
11		WASHER, No. 10 Lock	5		57/64
12		SCREW, No. 10-32 x 1/2 (Upper to Lower Body)	5		57-64
13	YE-9381*	LINK, Fuel Pump	1		57/64
14	957E-9376	ARM, Pump Rocker	1		57/64
15	119265-ES7/8	WASHER, Pump Rocker Arm	2		57/64
16	YE-9380	SPRING, Pump Rocker Arm	1		57/64
17	E1ADKN-9378*	PIN, Pump Rocker Arm	1		57/64
18	E1ADKN-9379-B*	RETAINER, Rocker Arm Pin	2		57/64
19	Y-9374	GASKET, Fuel Pump to Inject. Pump	1		57/64
-	E157-Z-9	KIT, Fuel Pump Diaphragm	AR		57/64
-	E11A-9352	Consists of: VALVE ASSY.	2		
-	11A-9367-A	GASKET	1		
-	502E-9374	GASKET	1		
-	E04A-9398-B	DIAPHRAGM	1		
		* No Longer Serviced			

DEXTA

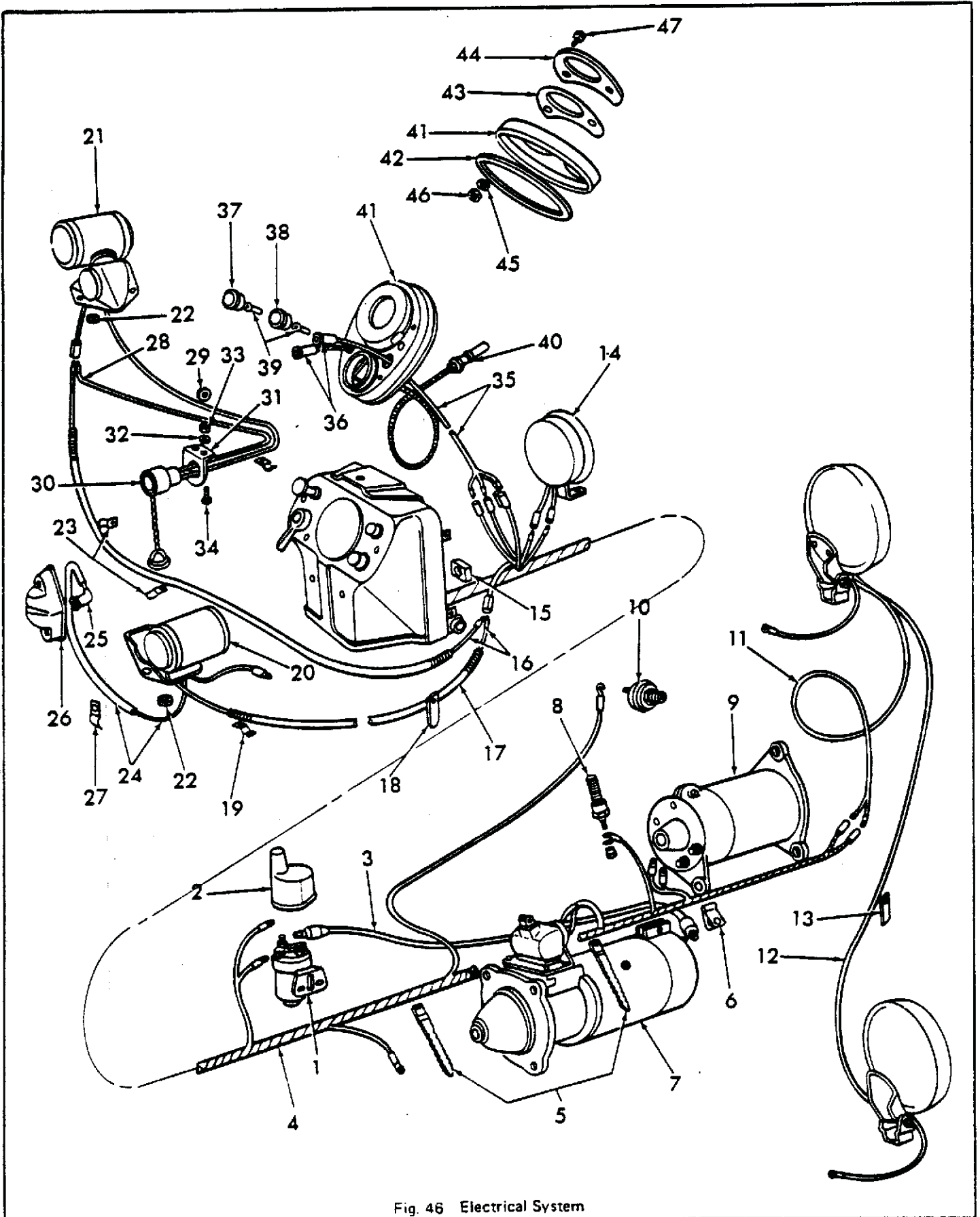


Fig. 46 Electrical System

DEXTA

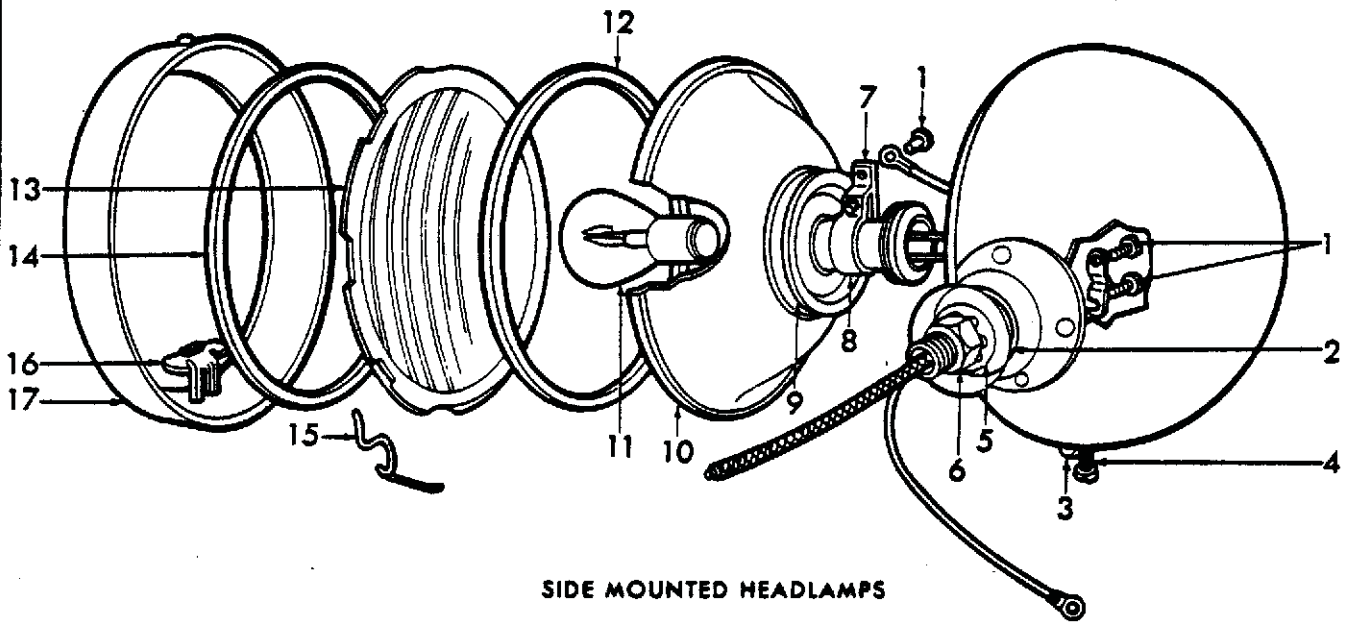
FIG.	PART NO.	PART NAME	QTY.	REMARKS	YEAR
46		<u>ELECTRICAL SYSTEM</u>			
1	E1ADDN-11450-C	RELAY ASSY., Starter	1		57/64
-		WASHER, No. 10 Lock	2		57/64
-		NUT, No. 10-32 Square	2		57/64
-		BOLT, No. 10-32 x 1/2 (Relay to Battery Tray)	2		57/64
2	E1ADDN-14693-B*	COVER, Relay Cable Terminal	1		57/64
3	957E-14431	CABLE, Starter Switch to Starter Motor	1		57/64
4	957E-14401-C	WIRING ASSY., Main (w/Lighting)	1	Diesel	57/4-60
4	957E-14401-D*	WIRING ASSY., Main (L/Lighting)	1	Diesel	5-60/10-62
4	957E-14401-F	WIRING ASSY., Main (w/Lighting)	1	Diesel	5-60/10-62
4	957E-14401-G	WIRING ASSY., Main (w/Lighting)	1	Diesel	11-62/64
4	957E-14401-H*	WIRING ASSY., Main (L/Lighting)	1	Diesel	11-62/64
4	959E-14401-B*	WIRING ASSY., Main	1	Gas/Petrol	60/10-62
4	959E-14401-C*	WIRING ASSY., Main	1	Gas/Petrol	11-62/64
5	E65-ND-9	STRAP, Starter Cable to Switch	2		57/64
6	118550-ES	CLIP, Main Wiring to Generator Mtg. Brkt.	1		57/64
7	957E-11000	STARTER MOTOR ASSY., (See Starter Section)	1		57/64
8	E197-CQ-9	PLUG ASSY., Heater	1		57/64
9	E1ADN-10001	GENERATOR ASSY., Less Pulley (See Generator Section)	1		11-62/64
10	100E-9278	SWITCH ASSY., Oil Pressure Warning Light	1		57/12-58
10	E1ADDN-9278	SWITCH ASSY., Oil Pressure Warning Light	1		12-58/64
11	957E-14425A*	WIRING ASSY., Headlamp	2	Use w/Electric Lighting Except Side Mtd. Headlamps	57/64
11	957E-14425-B	WIRING ASSY., Headlamp	2	Use w/Electric Lighting	10-60/64
12	E1ADDN-14445	WIRE ASSY., Headlamp Connecting	1		57/64
13	117818-ES2	CLIP, Headlamp Wire to Shell Support Bracket	4		57/64
14	E1ADKN-13802-C	HORN & BRACKET ASSY.	1	FTO-E	57/64
15	957E-14603	GROMMET, Main Wiring	1		57/64
16	957E-14424*	WIRE ASSY., Side & Rear Lamp	2		57/64
17	957E-14539*	CONDUIT, Side & Rear Lamp	2		57/64
18	118545-ES	CLIP, Side & Rear Lamp Conduit to Clutch Housing	2		57/64
19	E62-ND-9*	CLIP, Side & Rear Lamp Conduit to Mudguard	2		57/64
20	D2NN-13N200-A	LAMP & REFLECTOR ASSY., R.H. - Side & Rear	1		57/64
21	D2NN-13N201-A	LAMP & REFLECTOR ASSY., L.H. - Side & Rear	1		57/64
22	B-16386	GROMMET, Rear Lamp Wire to Mudguard	2		12-58/64
23	E62-ND9*	CLIP, Side & Rear Lamp Conduit to Platform	2		57/64
24	E194-NC-9	CONDUIT, Rear License Plate Wire	1		57/5-62
24	E245-NC9*	CONDUIT, Rear License Plate Wire	1		5-62/64
25	E166-NC9	SHROUD, Rear License Plate Connector	1		57/64
26	957E-13550-B	LAMP ASSY., Rear License - Less Bulb	1		57/64

* No Longer Serviced

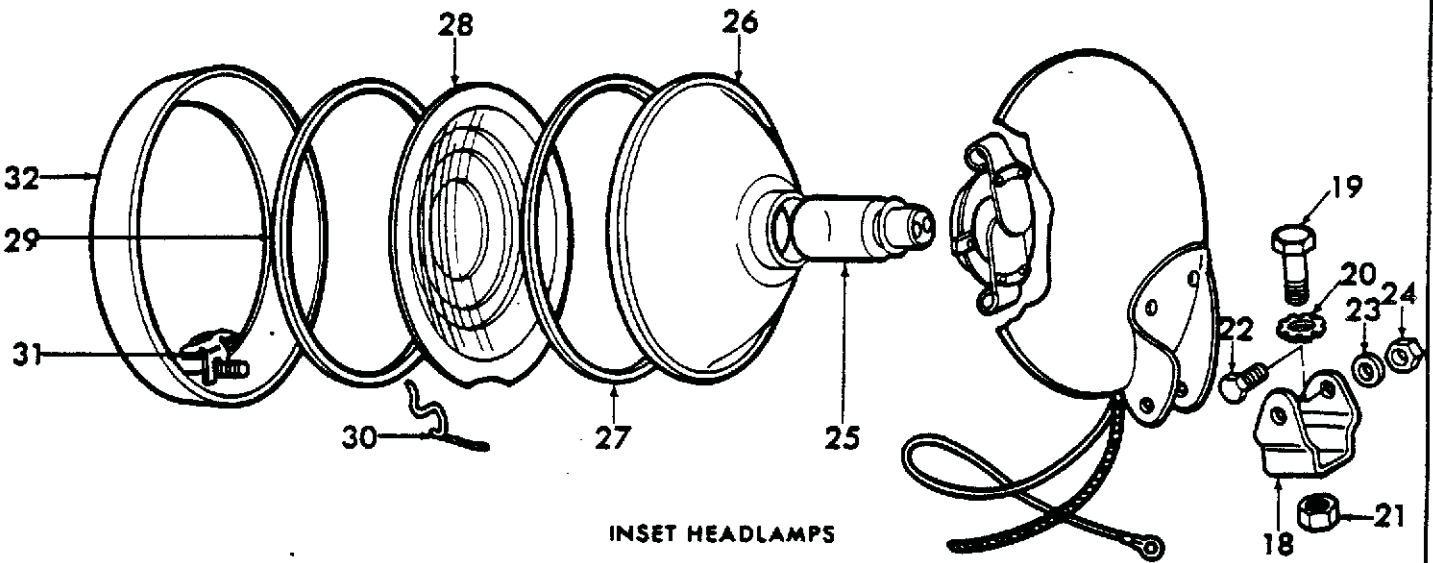
DEXTA

FIG.	PART NO.	PART NAME	QTY	REMARKS	YEAR
46		<u>ELECTRICAL SYSTEM (CONT'D)</u>			
27	113803-ES	CLIP, Special	1		57/64
28	E6-ND-9*	WIRE ASSY., Trailer Socket to Side Lamp	1		57/64
29	E95-AE-2	GROMMET, Wiring to L.H. Mudguard	1	FTO-E	57/64
30	E137-NC-9	SOCKET & DUMMY PLUG ASSY., Rear Lamp	1		57/64
31	957E-13470	BRACKET, Trailer Light Connection Mounting	1		57/64
32		LOCKWASHER, No. 12	2		57/64
33		NUT, No. 10-24 Hex	2		57/64
34		BOLT, 1/4-20 x 5/8 Flat Hd.	2		57/64
35	E137-ND-9	WIRE ASSY., Warning Light	1		8-58/64
36	C7NN-13N004-A	SOCKET ASSY., Warning Light	2		57/64
37	E204-NE-9	LIGHT ASSY., Oil Pressure Warning	1		57/64
38	E203-NE-9	LIGHT ASSY., Generator Warning	1		57/64
39	100E-13466-B	BULB, Generator & Oil Pressure Warning Light	2		57/64
40	957E-10883	GAUGE ASSY., Water Temperature	1		57/64
41	957E-11805	PANEL ASSY., Instrument	1		57/64
42	957E-11820	SEAL, Instrument Panel	1	FTO-E	57/64
43	E188-NE-9*	GASKET, Instrument Panel Retainer	1		57/64
44	E187-NE-9*	RETAINER, Instrument Panel	1		57/64
45		LOCKWASHER, No. 10	4		57/64
46		NUT, Instrument Panel & Retainer to Instrument Housing, No. 10-12	4		57/64
47		SCREW, Instrument Panel to Inst. Housing No. 10 x 1-1/2 Pan Head.	2		57/64
-	ET6-11500-B	BUTTON, Horn Push	1	FTO-E	57/64
-	E142-ND-9*	WIRE ASSY., Lighting Switch to Tachometer Illumination Lamp	1		8-58/64
-	E40-NE-2*	SOCKET ASSY., Tachometer Illumination Lamp Wire	1		8-58/64
-	957E-3728-A*	PLATE, Ignition Instruction	1	Domestic Only	63/64
-	E240-NC-9*	SEAL, Instrument Panel	1		57/64
		* No Longer Served			

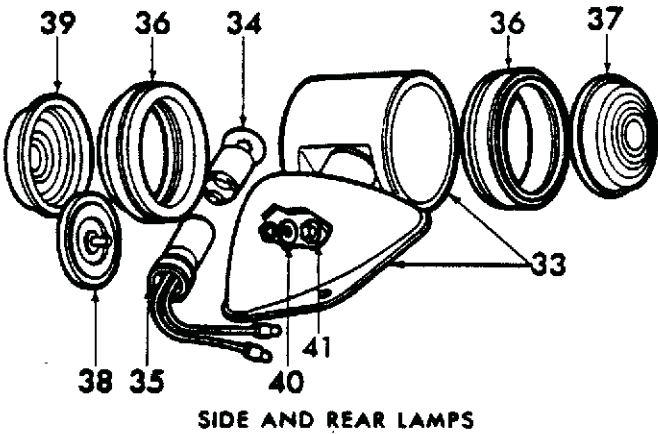
DEXTA



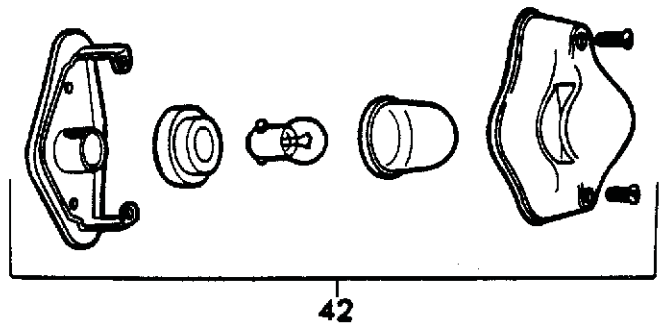
SIDE MOUNTED HEADLAMPS



INSET HEADLAMPS



SIDE AND REAR LAMPS



REAR LICENCE PLATE LAMP

Fig. 47 Head & Rear Lamps

DEXTA

FIG.	PART NO.	PART NAME	QTY.	REMARKS	YEAR
47		<u>HEAD AND REAR LAMPS</u>			
		<u>SIDE MOUNTED HEADLAMPS</u>			
-	957E-13002-A	HEADLAMP ASSY., R.H. Less Bulb	1	FTO-E	57/64
-	957E-13003*	HEADLAMP ASSY., L.H. Less Bulb	1	FTO-E	57/64
1	995957-ESB*	SCREW, Clip Retaining	4		57/64
2	E1ADKN-13132*	WASHER SEATING, Headlamp Base	2		57/64
3	E1ADKN-13050*	NUT, Swivel - Headlamp Door Latch Bolt	2		57/64
4	E1ADKN-13047*	BOLT, Headlamp Door Latch	3		57/64
5		LOCKWASHER, Shakeproof 5/8	2		57/64
6		NUT, Headlamp Mounting Bolt 5/8-26 Hex	2		57/64
7	E1ADKN-13090*	CLAMP, Headlamp Bulb Socket	2		57/64
8	957E-13075	SOCKET ASSY., Headlamp	2	FTO-E	57/64
9	E1ADKN-13096*	ADAPTOR, Headlamp Bulb Socket	2		57/64
10	D2NN-13N118-A	REFLECTOR ASSY., Headlamp	2		57/64
11	E27N-13007	BULB, Headlamp	2		57/64
12	E04C-13066	GASKET, Headlamp Lens	2		57/64
13	E1ADKN-13060-B	LENS, Headlamp	2		57/64
14	E1ADKN-13068	GASKET, Headlamp Lens to Door	2		57/64
15	E1ADKN-13061	RETAINER, Headlamp Lens	12		57/64
16	E1ADKN-13016	CATCH, Headlamp Door	2	FTO-E	57/64
17	E1ADKN-13043	DOOR & LATCH ASSY., Headlamp	2		57/64
		<u>INSET HEADLAMPS</u>			
-	D2NN-13005-D	HEADLAMP ASSY., Less Bulb	2		10-60/64
18	957E-13071*	BRACKET, Headlamp Adjusting	2		10-60/64
19		BOLT, 1/2-13 x 1 Hex Hd.	2		10-60/64
20		LOCKWASHER, Shakeproof 1/2	2		10-60/64
21		NUT, 1/2-13 Hex	2		10-60/64
22		BOLT, 1/4-20 x 1/2 Hex Hd.	4		10-60/64
23		LOCKWASHER, Shakeproof 1/4	4		10-60/64
24		NUT, 1/4-20 Hex	4		10-60/64
25	C5NN-13009-A	BULB, Headlamp	2		10-60/64
26	D2NN-13N118-A	REFLECTOR & CONTACT ASSY., Headlamp	2		10-60/64
27	E04C-13066	GASKET, Headlamp Lens	2		10-60/64
28	E1ADKN-13060-B	LENS, Headlamp	2		10-60/64
29	E1ADKN-13068	GASKET, Headlamp Lens to Door	2		10-60/64
30	E1ADKN-13061	RETAINER, Headlamp Lens	6		10-60/64
31	E1ADKN-13016	CATCH, Headlamp Door	2	FTO-E	10-60/64
32	E1ADKN-13043	DOOR & LATCH ASSY., Headlamp	2		10-60/64
		* No Longer Serviced			

DEXTA

FIG.	PART NO.	PART NAME	QTY.	REMARKS	YEAR
47		<u>HEAD AND REAR LAMPS (CONT'D)</u>			
		<u>SIDE AND REAR LAMPS</u>			
33	D2NN-13N200-A	LAMP, Reflector & Bracket Assy., R.H.	1		57/64
33	D2NN-13N201-A	LAMP, Reflector & Bracket Assy., L.H.	1		57/64
34	D3NN-13465-E	BULB, Rear & Side Lamp	2		57/64
35	957E-13410	SOCKET ASSY., Side & Rear Lamp	2	FTO-E	57/64
36	957E-13230	MOUNTING, Side Lamp Lens	4		57/64
37	957E-13208	LENS, White, Side Lamp	2		57/64
38	E80-NC-1	REFLECTOR ASSY.	2	FTO-E	57/64
39	957E-13450	LENS, Red, Side Lamp	2		57/64
40		LOCKWASHER, Shakeproof No. 8	2		57/64
41		NUT, 8-32 Hex	2		57/64
		<u>REAR LICENSE PLATE LAMP</u>			
42	957E-13550-B	LAMP ASSY. Components Not Serviced Separately * No Longer Serviced			

DEXTA

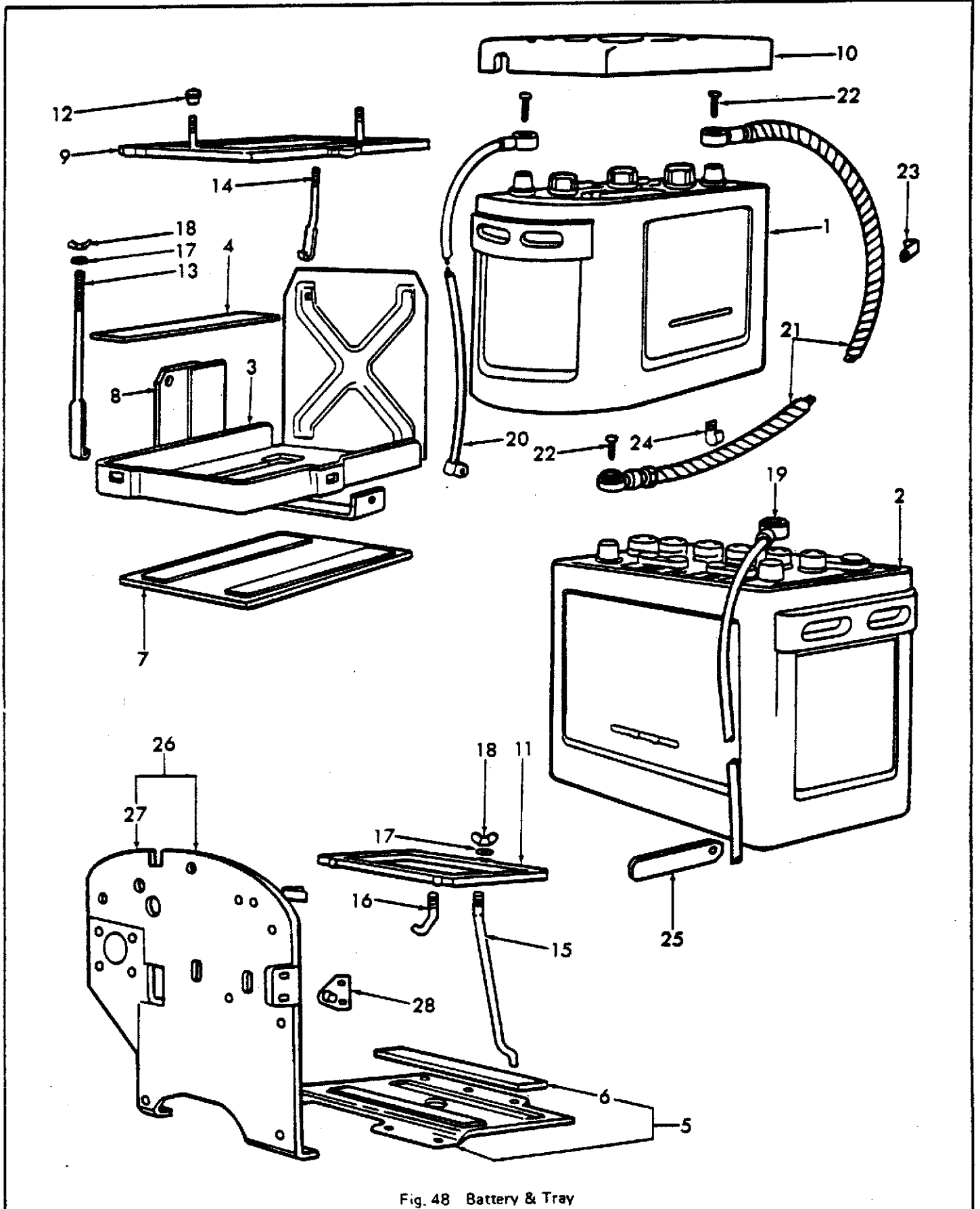


Fig. 48 Battery & Tray

DEXTA

FIG.	PART NO.	PART NAME	QTY.	REMARKS	YEAR
48		<u>BATTERY AND TRAY</u>			
1	E1ADDN-10657-D	BATTERY ASSY., Dry 144 A.H. - 6 Volt	2	FTO-E	3-58/64
1	DHPN-10657-C	BATTERY ASSY., Dry 6 Volt	2	U.S.	57/64
2	957E-10657-E	BATTERY ASSY., Dry 80 A.H. - 12 Volt	1	FTO-E	57/64
2	D1NN-10657-G	BATTERY ASSY., Dry 95 Amp. - 12 Volt	1	U.S.	57/64
-	D3NN-10720-A	PLUG, Filler	6		57/64
-	EOA-10663-B*	WASHER, Filler Plug	6	Twin Batteries	57/64
3	E94-NA-9*	TRAY, Rear	1	Twin Batteries	3-58/64
4	E96-NA-9*	PAD, Tray to Battery	2		12-59/64
5	957E-10734-B*	TRAY ASSY., 12 Volt Consists of Tray plus:	1		4-62/64
6	957E-10730*	PAD, Tray to Battery	2		57/64
7	E89-NA-9*	BAFFLE ASSY., Heat (w/Horizontal Exhaust)	1	Twin Batteries	3-58/64
8	E95-NA-9*	SUPPORT ASSY.	1	Twin Batteries	3-58/64
9	E83-NA-9	CLAMP ASSY., Rear	1	Twin Batteries	3-58/64
10	957E-10666-B*	COVER, Rear	1	Twin Batteries	3-58/64
11	957E-5165-A	CLAMP ASSY.	1	12 Volt	57/8-59
11	957E-5165-C	CLAMP ASSY.	1	12 Volt	8-59/64
11	957E-5165-B	CLAMP ASSY., Front	1	Twin Batteries	3-58/64
12	YE-10668-R*	NUT, Cover Clamping	2	Twin Batteries	3-58/64
13	E97-NA-9	ROD, Long (Twin Batteries)	2	FTO-E	3-58/64
14	E98-NA-9*	ROD, Short (Twin Batteries)	1		3-58/64
15	957E-5155	ROD, Long	1		57/64
15	959E-5155*	ROD, Long	1	Petrol	11-60/64
16	957E-5164-B	ROD, Short	1		8-59/64
17	118176-ES*	WASHER, 5/16 Ribbed	3		57/64
18	117611-ES*	NUT, 1/4 - 28 Ribbed Wing	3		57/64
19	957E-14300-C	CABLE ASSY., Battery to Starter Switch	1	Less Twin Batt.	57/64
19	957E-14300-D	CABLE ASSY.	1	Twin Batteries	3-58/64
20	E1ADKN-14301-C*	CONNECTOR, Battery to Earth	1	Less Twin Batt.	57/64
20	957E-14301-B	CONNECTOR ASSY.	1	Twin Batteries	3-58/64
21	957E-14322-B*	CABLE ASSY., Connecting	1	Twin Batteries	3-58/64
22		SCREW, No. 10-16 x 3/4 Pan Hd.	3		57/64
23	E136-ND-9*	CLIP	1	Twin Batteries	3-58/64
24	E135-ND-9*	CLIP	2	Twin Batteries	3-58/64
25	14551*	STRAP	1		57/64
26	957E-10741-C*	BAFFLE & REINFORCEMENT ASSY., Heat	1		57/4-62
26	957E-10741-D*	BAFFLE & REINFORCEMENT ASSY., Heat	1		4-62/64
26	959E-10741*	BAFFLE & REINFORCEMENT ASSY., Heat Consists of:	1	Petrol	11-60/64
27	957E-10738-A*	BAFFLE, Heat	1		57/4-62
27	957E-10738-B*	BAFFLE, Heat	1		4-62/64
-	E105-NA-9	PLATE, End	1		11-60/64
28	957E-16773-B*	BRACKET ASSY., Rear (Hood Catch)	1		57/64

* No Longer Serviced

DEXTA

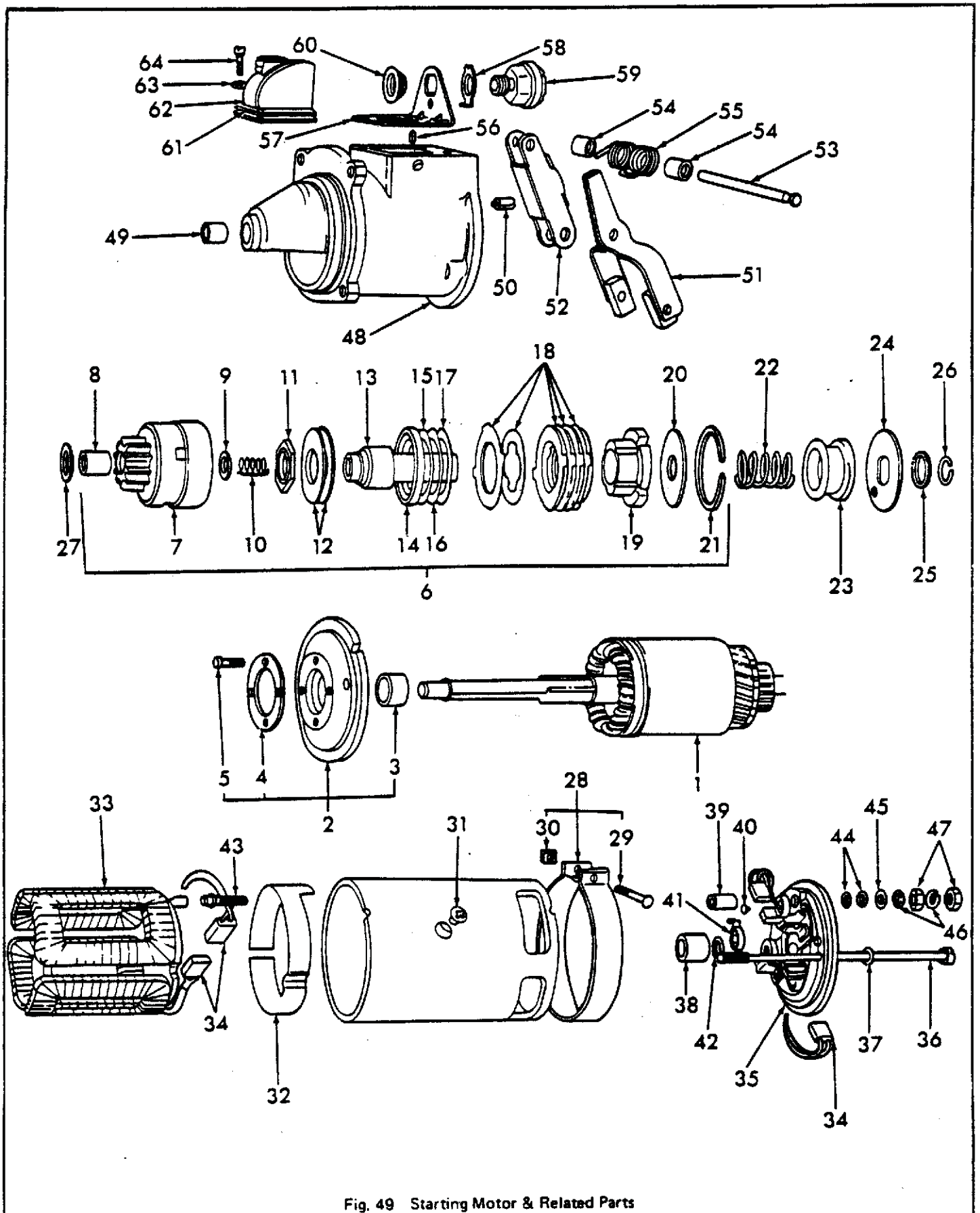


Fig. 49 Starting Motor & Related Parts

DEXTA

FIG.	PART NO.	PART NAME	QTY.	REMARKS	YEAR
49		<u>STARTING MOTOR AND RELATED PARTS</u>			
-	957E-11000	STARTER MOTOR DRIVE & SWITCH ASSY.	1		57/64
1	E1ADDN-11005B	ARMATURE ASSY.	1		57/64
2	E1ADDN-11130-B	PLATE & LINING ASSY. Consists of Plate plus:	1	FTO-E	57/64
3	E1ADDN-11135-B	BUSHING	1		57/64
4	E1ADDN-11139	LINING, Brake	1		57/64
5	119928-ES*	RIVET, 3/32 x 17/32 Flat Hd. - Copper	4		57/64
6	E1ADDN-11350	PINION & CLUTCH ASSY. Consists of:	1		57/64
7	E93-CQ-9	PINION & BARREL ASSY.	1		57/64
8	E1ADDN-11357*	GUIDE (Replaced by E93-CQ-9)	1		57/64
9	116037-ES*	WASHER, 9/16 I.D. x 1" O.D. x 1/32 Flat	1		57/64
10	E90-CQ-9*	SPRING, Clutch Return	1		57/64
11	117680-ES*	NUT, Locking L.H. Thread 1-26	1		57/64
12	E89-CQ-9*	PLATE, Pressure	1		57/64
13	E81-CQ-9*	SLEEVE & BUSHING ASSY.	1		57/64
14	E88-CQ-9*	RING, Back Plate	1		57/64
15	E85-CQ-9*	SHIM, .006 Thick	AR		57/64
16	E86-CQ-9*	SHIM, .005 Thick	AR		57/64
17	E87-CQ-9*	SHIM, .004 Thick	AR		57/64
18	E2002-T-9	KIT, Clutch Plates (Replaces E83-CQ-9 & E84-CQ-9)	1	FTO-E	57/64
19	E324-CQ-9	SLEEVE	1	FTO-E	57/64
20	116036-ES*	WASHER, 31/32 I.D. x 2-5/16 O.D. x 3/64 Flat	1		57/64
21	115504-ES*	CIRCLIP, 2-5/8 O.D.	1		57/64
22	E1ADDN-11375B*	SPRING, Tension	1		57/64
23	E1ADDN-11394	BUSHING	1		57/64
24	E1ADDN-11393*	PLATE, Brake	1		57/64
25	E5-CQ-9	CLIP, Lock Ring Retaining	1	FTO-E	57/64
26	E4-CQ-9*	RING, Lock	1		57/64
27	118228-ES	WASHER, 1/2 Flat Special - End Thrust	1		57/64
28	E1ADDN-11125*	BAND ASSY., Starter Cover Consists of Band plus:	1		57/64
29		SCREW, No. 10-32 x 1-1/4 Rd. Hd.	1		57/64
30		NUT, No. 10-32	1		57/64
31	C5NF-11415-A	SCREW, Pole Piece	4		57/64
32	E1ADDN-11089*	INSULATOR, Field Coil	1		57/64
33	E1ADDN-11081-B	COIL ASSY., Set - Field	1		57/64
34	D2NN-11055-A	KIT, Brush	1		57/64
35	E1ADDN-11049*	PLATE ASSY., Commutator End (Replaced by 508E-11049 & D2NN-11091-A)	1		57/64
35	508E-11049	PLATE ASSY., Commutator End	1		57/64
36	E1ADDN-11079-B*	BOLT (Use with E1ADDN-11049)	2		57/64
36	D2NN-11091-A	BOLT (Use with 508E-11049)	2		57/64
37		WASHER, 1/4 Lock	2		57/64

* No Longer Serviced

DEXTA

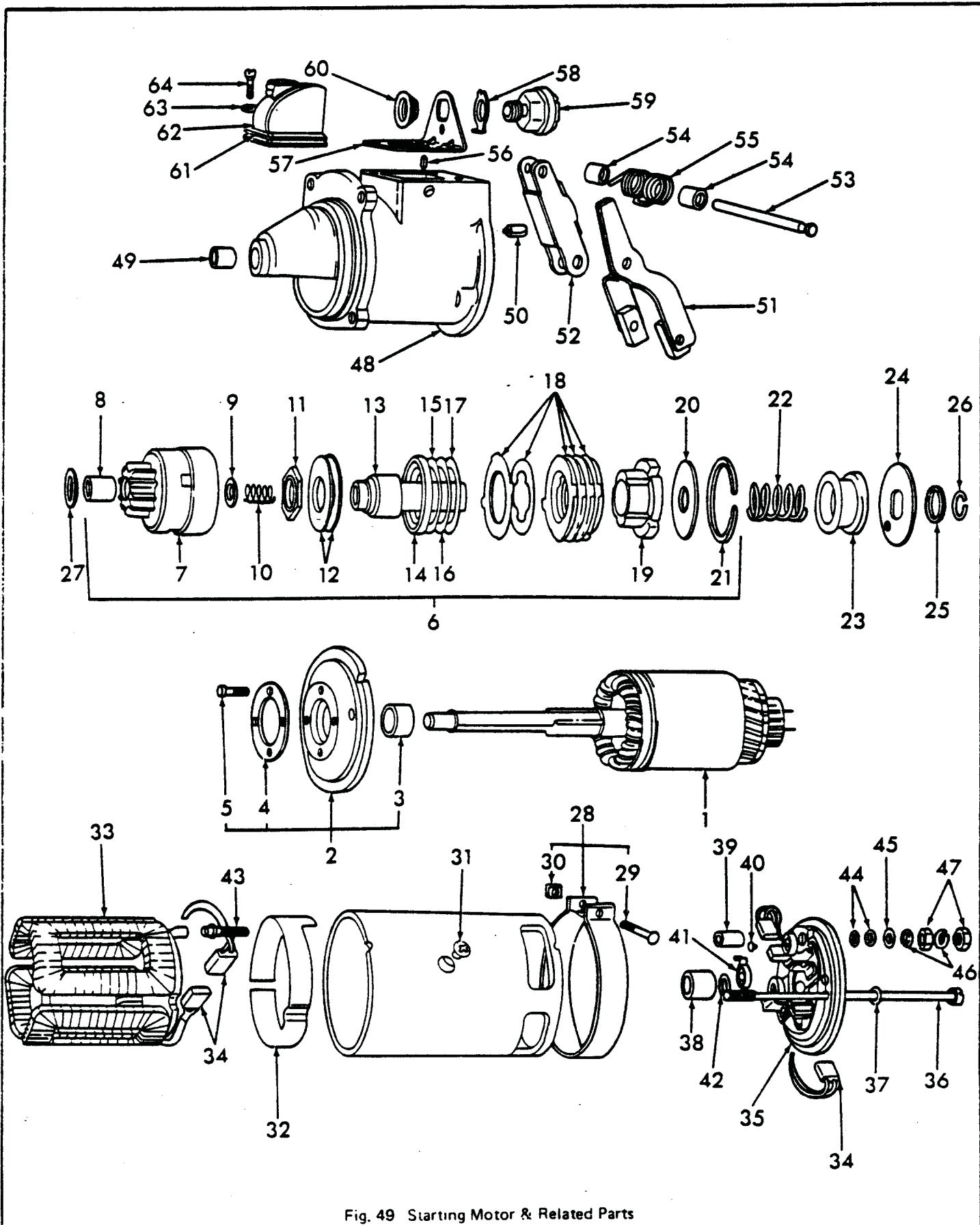


Fig. 49 Starting Motor & Related Parts

DEXTA

FIG.	PART NO.	PART NAME	QTY.	REMARKS	YEAR
49		<u>STARTING MOTOR AND</u> <u>RELATED PARTS (CONT'D)</u>			
38	E27N-11052	BUSHING, Commutator End Bearing	1		57/64
39	957E-11107*	BUSHING, Field Terminal Insulating	1		57/64
40	7W-10088	DOWEL, End Plate	1		57/64
41	2701E-11059-A	SPRING, Brush	4		57/64
42	116074-ES	WASHER, 5/8 I.D. x 1 O.D. x 1/32 Flat	1		57/64
43	E27N-11102-A	TERMINAL	1		57/64
44	118152-ES	WASHER	2		57/64
45	119699-ES*	WASHER, 1/4 Flat Insulated	1		57/64
46	118153-ES7/8*	WASHER	2		57/64
47	C5NF-11A112-A	NUT, Terminal	2		57/64
-	EOTTA-11103*	SLEEVE, Coil Terminal	1		57/64
48	957E-11358-B	HOUSING ASSY., Starter Drive	1	FTO-E	57/64
49	E1ADDN-11395	BUSHING, Housing	1		57/64
50	E1ADDN-10088	DOWEL	1		57/64
51	E1ADDN-11396	LEVER & SHOE ASSY., Actuating	1		57/64
52	E1ADDN-11533-B*	LEVER ASSY., Actuating	1		57/64
-	118876-ES*	BOLT, 3/8 B.S.F. x 3-7/8 Hex Hd. - Lever Pivot	1		57/3-58
		WASHER, 3/8 Flat	2		57/3-58
		WASHER, 3/8 Lock	1		57/3-58
		NUT, 3/8 B.S.F. Hex Special	1		57/3-58
53	E97-CQ-9*	PIN, Lever Pivot	1		3-58/64
54	957E-11534*	SPACER	2		57/64
55	E1ADDN-11397*	SPRING, Lever Return	1		57/64
56		PIN, 3/16 x 11/16 Dowel	1		3-58/64
57	E1ADDN-11510-C	BRACKET, Starter Relat Operating Switch	1		57/64
59	E1ADDN-11532*	LOCKWASHER, Starter Relay Operating Switch	1		57/64
59	E1ADDN-11500	SWITCH ASSY., Starter Relay Operating	1		57/64
60	E1ADDN-11530-B	NUT, Starter Relay Operating Switch Securing	1		57/10-60
60	E1ADDN-11530-C	NUT, Starter Relay Operating Switch Securing	1		10-60/64
61	E1ADDN-11531*	PLATE, Starter Dust Cover Retaining	1		57/64
62	E1ADDN-11535	COVER, Dust, Starter Actuating Lever	1		57/64
63	118150-ES*	WASHER	4		57/64
64	118667-ES7	SCREW, Securing, Plate & Switch Bracket	4		57/64
		* No Longer Serviced			

DEXTA

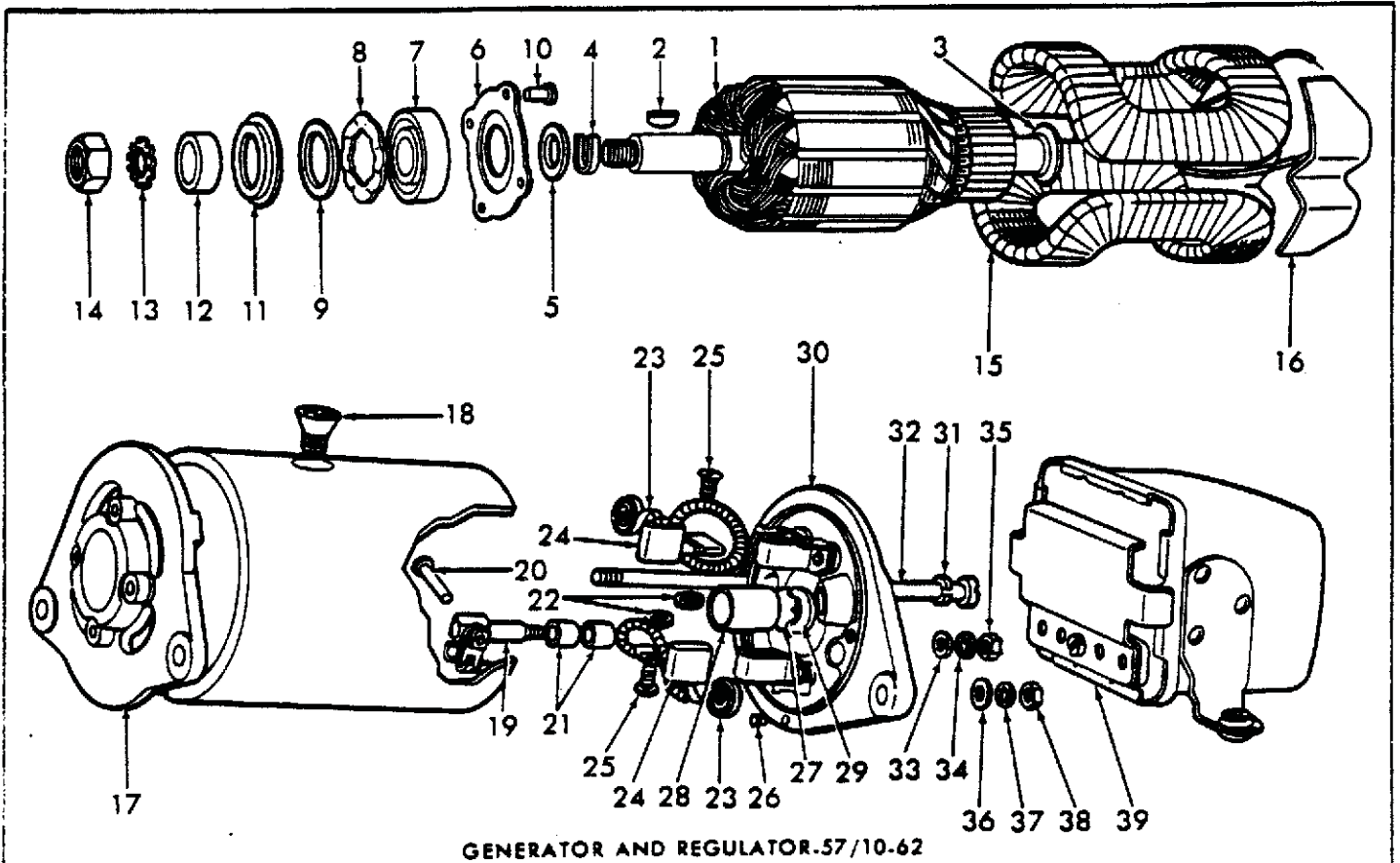


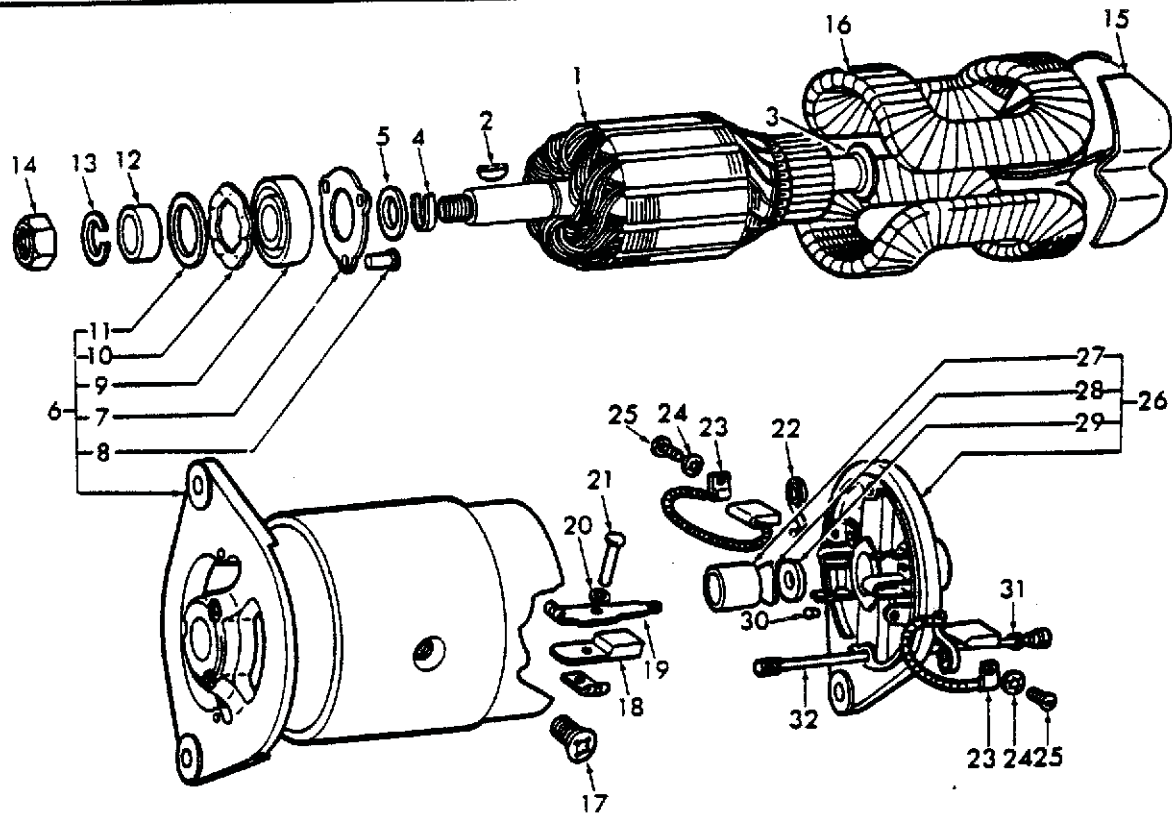
Fig. 50 Generator Assy. & Regulator 57/10-62

FIG.	PART NO.	PART NAME	QTY	REMARKS	YEAR
50		<u>GENERATOR ASSEMBLY & REGULATOR</u> <u>(57/10-62)</u>			
	10001*	GENERATOR ASSY., Less Pulley	1		57/10-62
		Consists of:			
1	105E-10005-B*	ARMATURE ASSY.	1		57/10-62
2		KEY, 1/4 x 1-1/2 Woodruff (Armature Shaft)	1		57/10-62
3	E93A-10230	WASHER (Commutator End Thrust)	1		57/10-62
4	E93A-10099*	RING, Bearing Retainer	1		57/10-62
5	C5NF-10124-B	RETAINER, Bearing Ring	1		57/10-62
6	YE-10098-B*	PLATE, Bearing Retainer	1		57/10-62
7	YE-10094	BEARING ASSY., Drive End	1	FTO-E	57/10-62
7	E27N-10094-B	BEARING ASSY., Drive End	1	U.S.	57/10-62
8	YE-10114*	WASHER, Drive End Bearing	1		57/10-62
9	YE-10160	FELT, Bearing Oil Retaining	1		57/10-62
10	119930-ES	RIVET, Plate to End Plate	4		57/10-62
11	YE-10113*	RETAINER, End Bearing Felt	1		57/10-62
12	105E-10097	COLLAR, Drive End Bearing	1		57/10-62
13		WASHER, 7/16 External Teeth	1		57/10-62
14		NUT, 3/4-20 (Pulley to Armature Shaft)	1		57/10-62
15	E2039-T-9	COIL ASSY., Generator	1	FTO-E	57/10-62
16	E62A-10193	INSULATOR, Field Coil Connect. Wire	1		57/10-62
		* No Longer Serviced			

DEXTA

FIG.	PART NO.	PART NAME	QTY.	REMARKS	YEAR
50		<u>GENERATOR ASSEMBLY & REGULATOR</u> <u>(57/10-62) (CONT'D)</u>			
17	E27N-10139-C*	PLATE ASSY., Generator Drive End	1		57/10-62
-	957E-10145*	LEVER, Generator Adjusting	1		57/10-62
-		WASHER, 5/16 Flat	1		57/10-62
-		BOLT, 5/16-18 x 1.0 (Lever to Generator)	1		57/10-62
-	88359-S*	STUD, Lever to Timing Gear Cover	1		57/10-62
-		WASHER, 5/16 Lock - Light	1		57/10-62
-		NUT, 5/16-24 (Lever to Cover)	1		57/10-62
18	C5NF-11415-A	SCREW, Pole Piece to Yoke	2		57/10-62
19	E93A-10184-B*	TERMINAL ASSY., Generator Field	1		57/10-62
20	119437-ES*	RIVET, Terminal to Frame	1		57/10-62
21	E2045-T-9*	INSULATOR	2		57/10-62
22		WASHER, No. 10 Lock	2		57/10-62
23	2701E-11059-A	SPRING, Brush	2		57/10-62
24	E93A-10043	KIT, Generator Brush	1		57/10-62
25	995928-ES*	SCREW, Brush Connecting	2		57/10-62
26	7W-10088	PIN, Dowel (End Plate)	2		57/10-62
27	E1ADN-10115*	RETAINER, Bearing Felt	1		57/10-62
28	EOTA-10128-B	BUSHING, Commutator End Plate	1		57/10-62
29	EOTA-10147*	WASHER, Oil Retainer Felt	1		57/10-62
30	E27N-10129-D	PLATE ASSY., Commutator End	1		57/10-62
-	E24-CQ-9	PLUG, Plate Oil Hole	1	FTO-E	57/10-62
31		WASHER, 1/4 Lock	2		57/10-62
32	C5NF-10120-A	BOLT, Frame Through	2		57/10-62
33	119258-ES	WASHER, 7/16 x 3/16 Brass	1		57/10-62
34		WASHER, Lock (Internal Teeth)	1		57/10-62
35	996302-ESB*	NUT, Terminal to Frame	1		57/10-62
36	44819-S	WASHER, 1/4 Flat Brass	1		57/10-62
37		WASHER, 1/4 Lock	1		57/10-62
38	996291-ES7/8*	NUT, Terminal	1		57/10-62
39	E27N-10505-F	REGULATOR ASSY., Generator	1		57/4-60
39	E1ADDN-10505	REGULATOR ASSY., Generator	1		5-60/10-62
-	957E-10130-B	PULLEY, Generator	1		57/10-62
-	957E-10151*	BRACKET, Generator Support	1		57/10-62
		* No Longer Serviced			

DEXTA



GENERATOR (11-62/64)

Fig. 51 Generator Assy. 11-62/64

FIG.	PART NO.	PART NAME	QTY.	REMARKS	YEAR
51		GENERATOR ASSEMBLY (11-62/64)			
-	E1ADN-10001	GENERATOR ASSY., Less Pulley	1		11-62/64
		Consists of:			
1	E1ADN-10005	ARMATURE ASSY., Generator	1	FTO-E	11-62/64
2		KEY, 1/4 x 1-1/2 Woodruff (Armature)	1		11-62/64
3	E493A-10230*	WASHER, Commutator End-Thrust	1		11-62/64
4	E93A-10099*	RING, Drive End Bearing Retainer	1		11-62/64
5	C5NF-10124-B	RETAINER, Bearing Ring	1		11-62/64
6	E1ADN-10138	BRACKET ASSY., Drive End	1	FTO-E	11-62/64
		Consists of Plate plus:			
7	105E-10098	PLATE, Bearing Retainer	1		11-62/64
8	117372-ES7/8	RIVET	3	FTO-E	11-62/64
9	D4NN-10A304-A	BEARING ASSY., Drive End	1		11-62/64
10	YE-10114*	WASHER, Corrugated	1		11-62/64
11	YE-10160	FELT, Bearing Oil Retainer	1		11-62/64
12	105E-10097	COLLAR, Drive End Bearing	1		11-62/64
13	34828-ES	WASHER, 7/16 Lock	1		11-62/64
14		NUT, 3/4-20 (Pulley to Armature)	1		11-62/64
15	109E-10193*	INSULATOR, Field Coil	1		11-62/64
16	C5NF-10175-A	COIL ASSY., Generator	1		11-62/64
17	118874-ES*	SCREW, Pole Piece to Yoke	2		11-62/64
18	105E-10173*	INSULATOR, Field Terminal	1		11-62/64
		* No Longer Serviced			

DEXTA

FIG.	PART NO.	PART NAME	QTY.	REMARKS	YEAR
51		<u>GENERATOR ASSEMBLY (11-62/64) (CONT'D)</u>			
19	114784-ES*	TERMINAL, Flat Blade Type	1		11-62/64
20	113417-ES*	WASHER, Terminal To Frame	1		11-62/64
21	117371-ES7/8*	RIVET, Terminal to Frame	1		11-62/64
22	109E-10068*	SPRING, Brush	2		11-62/64
23	309807	BRUSH KIT, Generator	2		11-62/64
24	118203-ES*	WASHER	2		11-62/64
25	995928-ES*	SCREW, Brush Connecting	2		11-62/64
26	E1ADN-10129	PLATE ASSY., Commutator End Consists of Plate plus:	1		11-62/64
27	EOTA-10128-B	BUSHING, End Plate	1		11-62/64
28	E1ADN-10115*	RETAINER, Bushing Felt	1		11-62/64
29	105E-10147*	WASHER, Oil Retainer Felt			11-62/64
30	7W-10088	DOWEL PIN, End Plate	2		11-62/64
31		WASHER, Through Bolt 1/4	2		11-62/64
32	C5NF-10120-A	BOLT, Generator Frame Through	2		11-62/64
-	957E-10130-B	PULLEY, Generator	1		11-62/64
-	957E-10145*	LEVER, Generator Adjusting	1		11-62/64
-		WASHER, 5/16 Flat	1		11-62/64
-		BOLT, 5/16-18 x 1.0 (Lever to Generator)	1		11-62/64
-	88359-S*	STUD, Lever to Timing Gear Cover	1		11-62/64
-		WASHER, 5/16 Lock - Light	1		11-62/64
-		NUT, 5/16-24 Hex	1		11-62/64
-	957E-10151*	BRACKET, Generator Support	1		11-62/64
-	88372-S	STUD, 3/8-16, 3/8-24 x 1-1/4 (Mounting Bracket)	2		11-62/64
-		WASHER, 3/8 Lock	2		11-62/64
-	117642-ES	NUT, 3/8 Lock (Mounting Bracket to Case)	2		11-62/64
-		BOLT, 5/16-24 x 1.0 (Generator to Bracket)	1		11-62/64
-		BOLT, 5/16-24 x 1-1/8 (Generator to Bracket-Front)	1		11-62/64
		* No Longer Serviced			

DEXTA

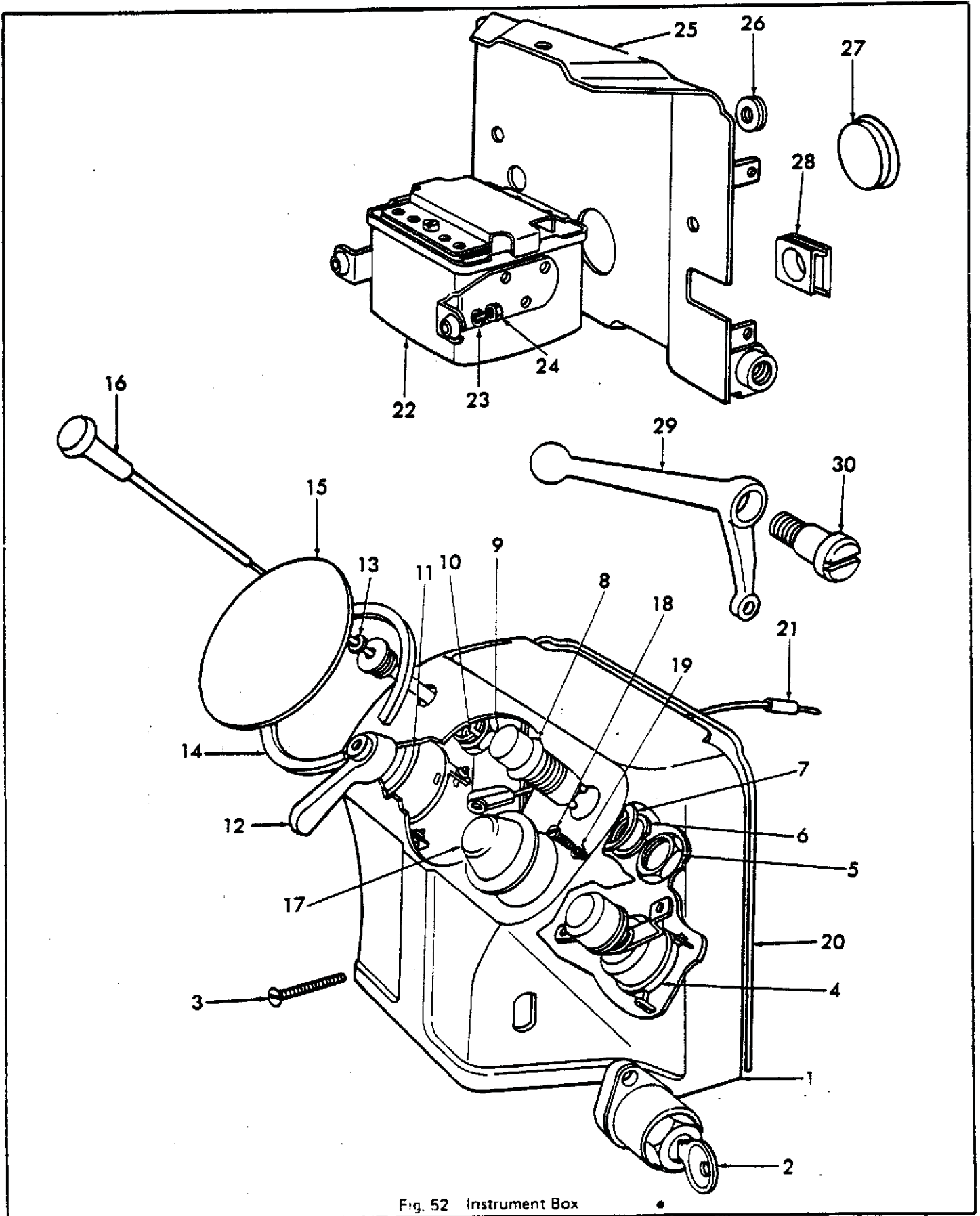


Fig. 52 Instrument Box

DEXTA

FIG.	PART NO.	PART NAME	QTY.	REMARKS	YEAR
52		<u>INSTRUMENT BOX</u>			
1	957E-11874-C	COVER ASSY., Instrument Box	1		12-61/64
2	E1ADKN-11575-B	SWITCH & KEY ASSY., Starter Isolation	1	FTO-E	57/64
3		SCREW, Rd. Hd. 1/4-28 x 11/16 - Reg. to Inst. Box	2		5-60/64
-	E176-NE-9	SWITCH ASSY., Engine Heater	1		57/64
4	E176-NE-9	SWITCH ASSY., Starter Motor (Petrol Engine)	1		11-60/64
5	E62A-11502	NUT, Horn Push Button to Box	1		57/64
6	E62A-11503	LOCKWASHER, Horn Push Button to Box	1		57/64
7	E62A-11504	WASHER, Horn Push Button to Box	1		57/64
8	E1ADDN-11500	SWITCH ASSY., Starter Relay Operating	1		57/64
9		NUT, Control to Instrument Box	1		57/64
10	351452-S36	LOCKWASHER	1		57/64
11	E395-NE-9*	SEAL, Switch to Instrument Box	1		57/64
12	957E-11654-B	SWITCH ASSY., Starter Isolation & Lighting	1		57/12-61
12	957E-11654-C	SWITCH ASSY., Lighting	1		12-61/64
13	CE-14612	ANTI-RATTLE, Engine Stop Control	1	FTO-E	57/64
14	E108-PB9*	SEAL, Instrument Box Blanking Plate	1		57/64
15	E109-PB-9*	PLATE, Instrument Box Blanking	1		57/64
16	E223-JB-9	CONTROL ASSY., Engine Stop	1		57/11-62
16	E247-JB-9	CONTROL ASSY., Engine Stop	1		4-62/64
17	E331-NE-9	GROMMET, Engine Heater Switch Button	1		57/64
18		SCREW, No. 8-32 x 3/8 Rd. Hd. Switch to Inst. Box	2		57/64
19		LOCKWASHER, No. 8 Shakeproof	2		57/64
20	E289-NE-9*	SEAL, Inst. Box to Fuel Tank Support	1		57/64
21	957E-14364-B*	WIRE ASSY., Regulator to Lighting Switch	1		5-60/64
22	E1ADDN-10505	REGULATOR ASSY., Generator	1		5-60/64
23		LOCKWASHER, 1/4	2		5-60/64
24		NUT, 1/4-28 Hex	2		5-60/64
35	957E-9097-B	SUPPORT ASSY., Fuel Tank Rear	1		57/64
26	E302-JB-9*	GROMMET, Engine Stop Control to Rear Tank Support	1		57/64
27	115400-ES*	PLUG, Tachometer Cable Hole Blanking	1	Except w/Tachometer	57/64
28	957E-14603*	GROMMET, Main Wiring	1		57/64
29	957E-11515*	LEVER, Starter Control	1		57/64
30	957E-11517*	BOLT, Starter Control Lever Retaining	1		57/64
-	E93A-10560*	COVER, Generator Regulator	1		57/5-60
-	E93A-10624*	BAIL, Generator Regulator Cover	1		57/5-60
-	ET6-11500-B	BUTTON, Horn Push	1	FTO-E	57/64
		* No Longer Serviced			

DEXTA

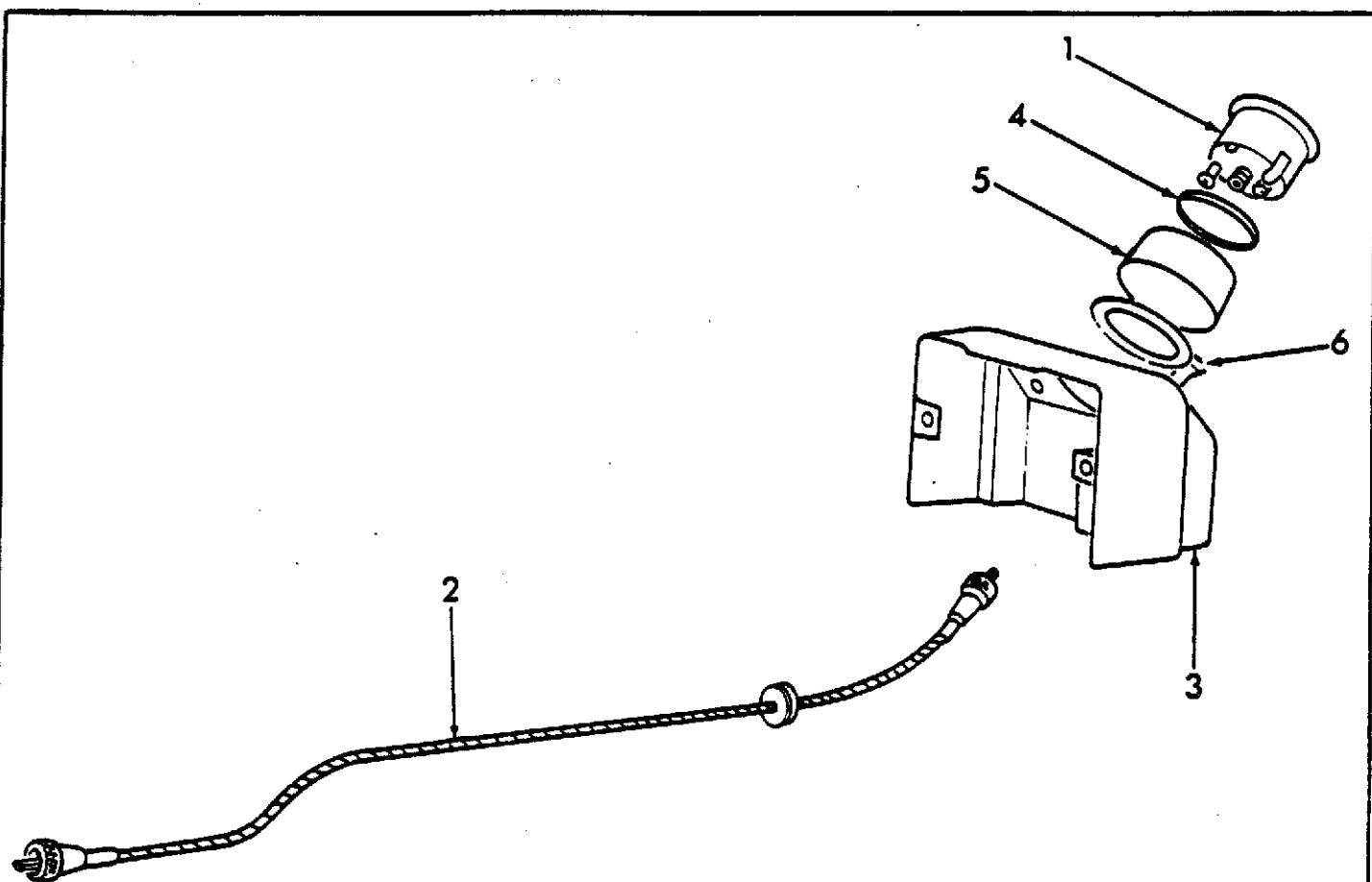


Fig. 53 Tachometer

FIG.	PART NO.	PART NAME	QTY.	REMARKS	YEAR
53		<u>TACHOMETER</u>			
1	957E-17360-A	TACHOMETER ASSY.	1	Miles	57/8-60
1	957E-17360-B	TACHOMETER ASSY.	1	Kilos FTO-E	57/8-60
1	957E-17360-D	TACHOMETER ASSY.	1	Miles	8-60/64
1	957E-17360-E	TACHOMETER ASSY.	1	Kilos FTO-E	8-60/64
1	957E-17360-F*	TACHOMETER ASSY.	1	Sweden	8-60/64
1	957E-17360-G*	TACHOMETER ASSY. (Special Ratio)	1	Germany	8-60/64
1	959E-17360-A*	TACHOMETER ASSY.	1	Miles-Petrol	11-60/64
2	957E-17365-A	CABLE ASSY.	1		57/4-62
2	957E-17365-D	CABLE ASSY.	1	FTO-E A.C. Type	4-62/64
2	959E-17365-A	CABLE ASSY.	1	Petrol FTO-E	11-60/64
-	957E-17366-E	SHAFT (Replaced by 957E-17365-C)	1		57/4-62
-	957E-17366-F	SHAFT	1	Smiths Type	4-62/64
-	959E-17366-A*	SHAFT (Smiths Type)	1	Petrol	11-60/64
-	959E-17366-B*	SHAFT (A.C. Type)	1	Petrol	11-60/64
-	957E-17369-B*	CONDUIT	1	Smiths Type	57/2-61
-	957E-17369-D*	CONDUIT	1	Smiths Type	2-61/4-62
-	957E-17369-E	CONDUIT	1	U.S.	2-61/4-62
-	957E-17369-F*	CONDUIT	1	Smiths Type	4-62/64
		* No Longer Serviced			

DEXTA

FIG.	PART NO.	PART NAME	QTY.	REMARKS	YEAR
53		<u>TACHOMETER (CONT'D)</u>			
3	957E-11874-C*	COVER ASSY.	1		12-61/64
4	E250-NE-9	RING, Sealing	1	FTO-E	57/64
5	957E-17368	ADAPTOR	1	FTO-E	57/64
6	E172-NE-9	GASKET	1	FTO-E	57/64
-	E399-NE-9*	CLAMP (Used only on vehicles built during Oct. 1960)	2		Oct. 60
-	E281-NE-9*	CLAMP	2		10-60/64
-	EOA-14537	CLIP, Cable to Fuel Pipe	2	FTO-E	57/64
-	957E-17255-A*	SPEEDOMETER ASSY. (Miles)	1	Ex. with H.P.L.	6-59/64
-	E402-NE-9*	CLAMP	1	Ex. with H.P.L.	6-59/64
-	117524-ES*	NUT, Clamp to Speedometer	2	Ex. with H.P.L.	6-59/64
		NOTE: If a Shaft (3/4") or Conduit is required for a Dexta 57/2-61 957E-17365-C must be used.			
		* No Longer Serviced			

DEXTA

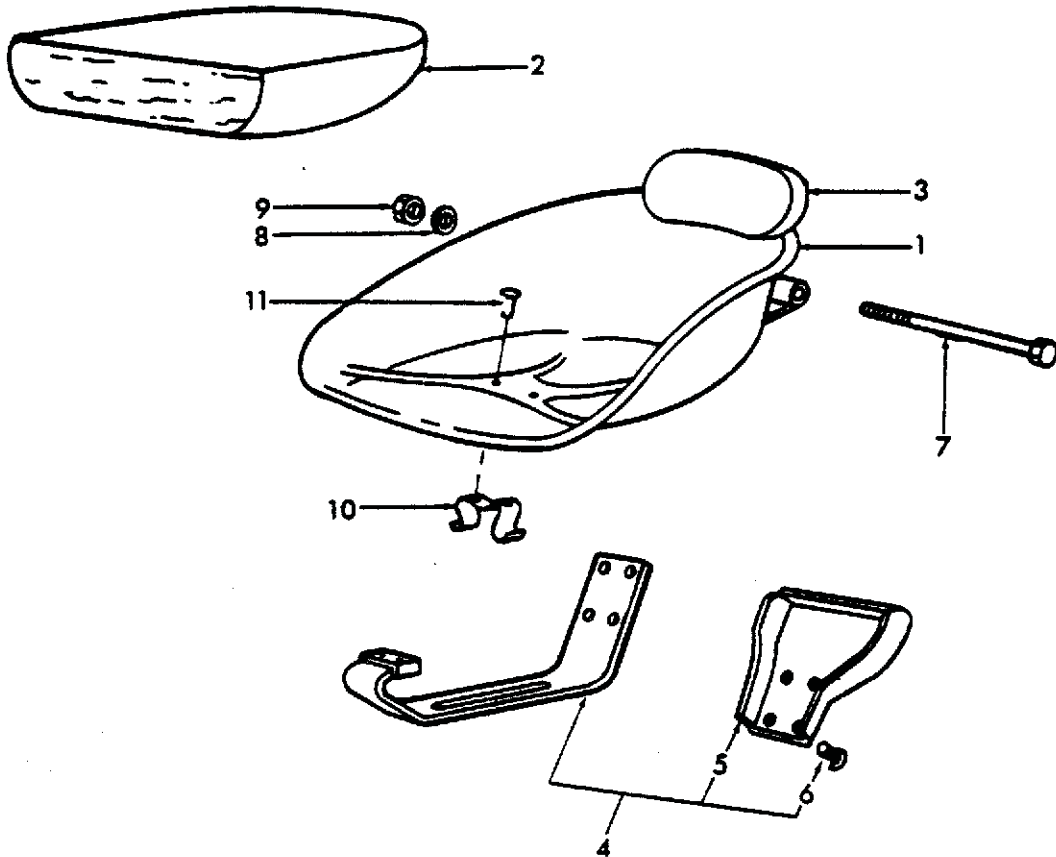


Fig. 54 Seat Assemblies

FIG.	PART NO.	PART NAME	QTY	REMARKS	YEAR
54		SEAT ASSEMBLIES			
-	957E-405-C*	SEAT ASSY., Installation Deluxe	1	Accessory	57/64
1	957E-400-A*	SEAT ASSY., Drivers	1	Standard	57/64
1	957E-400-C	SEAT ASSY., Drivers	1	Deluxe	57/64
2	E1ADDN-406-B	CUSHION ASSY., Seat	1		57/64
2	E1ADDN-406-C	CUSHION ASSY., Seat	1	With Adj. Seat	6-63/64
-	E1ADDN-K400-A*	COVER, Cushion	1		57/64
-	E1ADDN-K400-B*	COVER, Cushion	1	With Adj. Seat	6-63/64
3	E1ADDN-A401	REST ASSY., Back	1		57/64
-		SCREW, 5/16-24 x 1/2 Round Hd. - Back to Seat	2		57/64
4	957E-442-A*	SUPPORT ASSY.	1		57/64
4	957E-442-B*	SUPPORT ASSY.	1	Deluxe	10-60/64
		Consists of Support plus:			
5	C5NN-A433-A	BRACKET, Hinge	1		57/64
6		BOLT, 3/8-24 x .88 Carr. - Bracket to Support	2		57/64
-		WASHER, 5/8 Lock	2		57/64
-		NUT, 3/8-24 Hex	2		57/64
-	957E-420*	SEAT, Installation (Less Pan, Cushion & Seat Back)	1	Deluxe Adj.	6-63/64
		* No Longer Serviced			

DEXTA

FIG.	PART NO.	PART NAME	QTY.	REMARKS	YEAR
54		<u>SEAT ASSEMBLIES (CONT'D)</u>			
-	957E-404	SPRING, Seat	1		57/64
-	88393-S	STUD, Spring to H.P.L. Cover	2		57/64
-		WASHER, 7/16 Lock	2		57/64
-		NUT, 7/16-24 Hex	2		57/64
7	C5NN-A431-A	PIN, Hinge	1		57/64
8		WASHER, 3/8 Flat	1		57/64
9		NUT, 3/8-24 Lock	1		57/64
10	957E-433*	CATCH, Hold Down Seat	1		57/64
11		RIVET, 3/16 x 5/16 Truss Hd.	2		57/64
-	957E-434	BUMPER, Seat	1		57/64
		* No Longer Serviced			

DEXTA

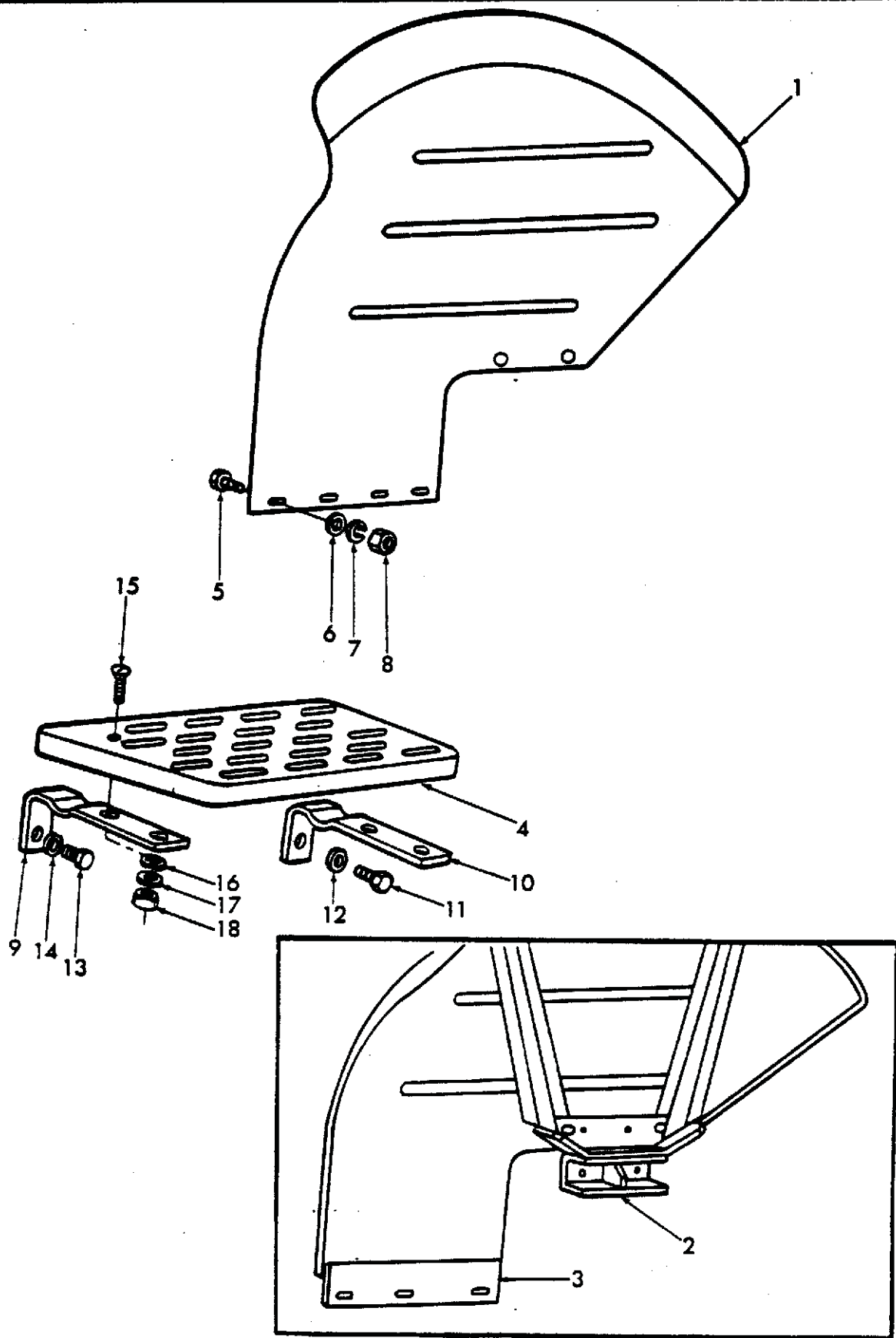


Fig. 55 Fenders, Platforms & Related Parts

DEXTA

FIG.	PART NO.	PART NAME	QTY.	REMARKS	YEAR
55		<u>FENDERS, PLATFORMS & RELATED PARTS</u>			
1	957E-16312-A*	FENDER ASSY., R.H. (Mudguard)	1	Less Electric Lighting	57/64
1	957E-16313-C	FENDER ASSY., L.H. (Mudguard)	1	Less Electric Lighting	57/64
1	957E-16313-G*	FENDER ASSY., L.H. (Mudguard)	1	Germany Only	6-63/64
-	E255-PA-9*	BOLT, Fender to Axle	2	Germany Only	6-63/64
-	118930-ES*	BOLT, 5/8-18 x 5.88 Carr. - Fender to Axle	4		57/64
-		NUT, 5/8-18 Hex - Thick	4		57/64
-		WASHER, 5/8 Lock	4		57/64
2	E251-PA-9*	BRACKET, Fender Extension Support	2	With 12 x 28 Tires	11-62/64
3	E250-PA-9*	PLATE, Extension	2	With 12 x 28 Tires	11-62/64
-		BOLT, 5/8-18 x 5-3/4 Carr.	4	With 12 x 28 Tires	11-62/64
-		WASHER, 5/8 Lock	4	With 12 x 28 Tires	11-62/64
-		NUT, 5/8 -18 Hex	4	With 12 x 28 Tires	11-62/64
-	E95-AE-2	GROMMET, Wiring to L.H. Fender	1	FTO-E	57/64
-	B-16386	GROMMET, Rear Lamp Wire to Fender	2		12-58/64
4	957E-16472-A*	PLATFORM, R.H.	1		57/64
4	957E-16473-B*	PLATFORM, L.H.	1		57/64
5		BOLT, 5/16-24 x 5/8 Hex Hd. - Platform to Fender)	6		57/64
6		WASHER, 5/16 Flat	6		57/64
7		WASHER, 5/16 Lock	6		57/64
8		NUT, 5/16-24 Hex	6		57/64
9	957E-16486*	SUPPORT, Platform - Front	1		57/64
10	957E-16494-A*	SUPPORT, Platform - Rear	1		57/64
10	957E-16494-B*	SUPPORT, Rear	1	With Twin Batteries	3-58/64
11		BOLT, 3/8-16 x 7/8 Hex Hd. - Support to Transmission Housing	4		57/64
11		BOLT, 7/16-14 x 1 Hex	2	With Twin Batteries	57/64
12		WASHER	4/2		57/64
13		BOLT, 7/16-14 x 1-1/8 Hex Hd.	4		57/64
14		WASHER, 7/16 Lock	4		57/64
15	350476-S36	BOLT, 5/16-24 x 7/8 Carr. - Platform to Support	8		57/64
16		WASHER, 5/16 Lock	8		57/64
17		WASHER, 5/16 Flat	8		57/64
18		NUT, 5/16-24 Hex	8		57/64
		* No Longer Serviced			

DEXTA

FIG.	PART NO.	PART NAME	QTY.	REMARKS	YEAR
56		<u>ENGINE HOOD, GRILLE & RELATED PARTS</u>			
1	957E-8202-A	SHELL ASSY., Radiator	1		57/64
1	957E-8202-B	SHELL ASSY., Radiator	1	Super Dexta	4-62/64
2		BOLT, 5/16-18 x 5/8 Hex Hd. - Shell to Brkt.	2		57/64
3		WASHER, 5/16 Lock	2		57/64
4	957E-8163-A	GRILLE ASSY., R.H. (Used with Side Mtd. Headlamps)	1		57/64
4	957E-8163-B	GRILLE ASSY., R.H. (w/Recessed Headlamps)	1		57/64
5	957E-8164-A	GRILLE ASSY., L.H. (Used with Side Mtd. Headlamps)	1		57/64
5	957E-8164-B	GRILLE ASSY., L.H. (w/Recessed Headlamps)	1		57/64
6	E1ADKN-88210	STUD, Clip	2		57/64
7	E1ADKN-16828C	CLIP	2		57/64
-		SCREW, No. 10-32 x 3/8 Pan Hd. - Clip to Brkt.	4		57/64
-		NUT, No. 10-32 Hex	4		57/64
-		WASHER, No. 10 Shakeproof - Ext. Teeth	4		57/64
8		WASHER, No. 10 Shakeproof - Int. Teeth	2		57/64
9	E1ADKN-88211	KNOB	2		57/64
10	957E-8165-B*	BAR, Upper	2		10-60/64
11	957E-8167-B*	BAR, Lower	2		6-63/64
12	115201-ES2*	FASTENER, Bar 3/16 Thread Cutting	8		10-60/64
-	E1ADKN-8212-C	ORNAMENT (Oval Shaped)	1		57/6-63
13	957E-8213-A*	NAMEPLATE	1		57/10-60
13	957E-8213-C*	ORNAMENT	1	Grey Background	6-63/64
13	960E-8213-A*	NAMEPLATE	1	Super Dexta	4-62/6-63
13	960E-8213-B*	NAMEPLATE	1	Super Dexta	6-63/64
-	117543-ES7*	NUT, No. 12 Special Self Locking	2		57/10-59
-	E95-PD-9*	SPACER, Nameplate to Shell	2		57/10-60
-	115201-ES*	FASTENER, 3/16 Thread Cutting	2		57/10-60
-	957E-8216*	ORNAMENT	1	With Live P.T.O.	57/10-60
-	E91-PD-9*	GROMMET	1	With Live P.T.O.	57/10-60
14	957E-8222*	PAD, R.H.	1		57/64
15	E17-PE-9*	PAD, L.H.	1		57/64
-	117243-ES7/8*	RIVET, 1/8 x 9/32 Oval Hd.	7		57/64
-	117244-ES7/8*	RIVET, 1/8 x 3/8 Oval Hd.	2		57/64
-	118135-ES*	WASHER, No. 9 Flat	9		57/64
-	957E-16612-A*	BONNET ASSY., Less Handles	1	Horizontal Exhaust	57/10-60
-	957E-16612-D*	BONNET ASSY., Less Handles	1	Vertical Exhaust	10-60/64
-	959-16612	BONNET ASSY., Less Handles	1	FTO-E	11-60/64
16	957E-16615-B*	SIDE ASSY., R.H.	1		57/64
16	957E-16615-C*	SIDE ASSY., R.H.	1	Super Dexta	4-62/64
16	959E-16615-A*	SIDE ASSY., R.H.	1	Petrol	11-60/64
16	960E-16615-A*	SIDE ASSY., R.H.	1		7-62/64
17	957E-16616-H	SIDE ASSY., L.H.	1	Vertical Exhaust	57/64
17	959E-16616-A*	SIDE ASSY., L.H.	1	Petrol	11-60/6-63
17	959E-16616-C	SIDE ASSY., L.H.	1	FTO-E Petrol	6-63/64
17	960E-16616-A*	SIDE ASSY., L.H.	1		7-62/64

* No Longer Serviced

DEXTA

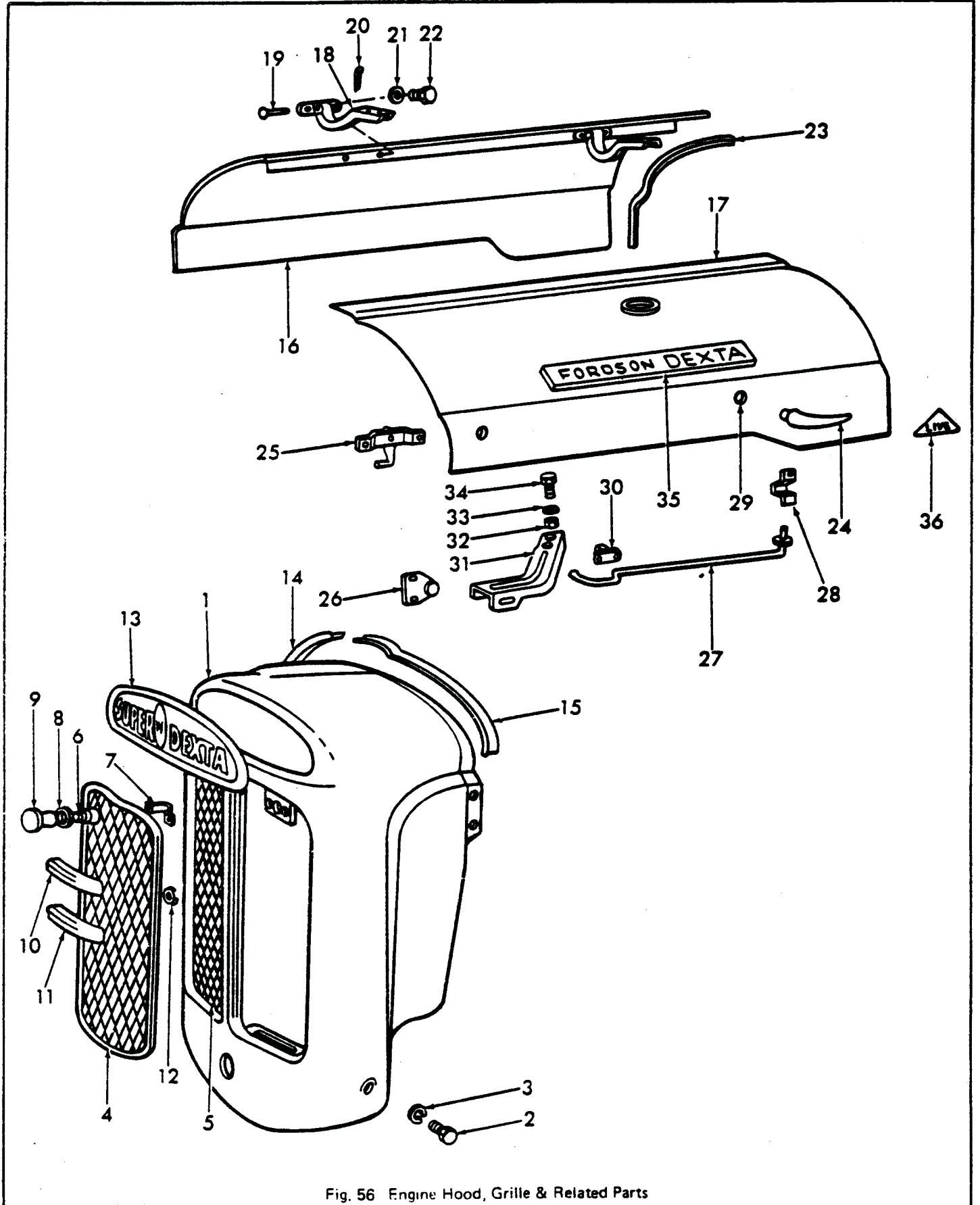


Fig. 56 Engine Hood, Grille & Related Parts

DEXTA

FIG.	PART NO	PART NAME	QTY.	REMARKS	YEAR
56		<u>ENGINE HOOD, GRILLE & RELATED PARTS (CONT'D)</u>			
-		SCREW, 1/4-28 x 7/8 Rd. Hd. - Side Panel to Tank & Shell	4		57/64
-		WASHER, 1/4 Lock	4		57/64
-		NUT, 1/4-28 Hex	4		57/64
18	957E-16631*	HINGE ASSY.	2		57/64
19		PIN, 1/4 x 1-1/2 Clevis	1		57/64
20		PIN, 1/16 x 1/2 Cotter	1		57/64
21		WASHER, 1/4 Lock	8		57/64
22		SCREW, Hinge to Side	8		57/64
23	957E-16741*	PAD	2		57/64
-		WASHER, No. 4 Flat	32		57/64
-		RIVET, 1/8 x 5/16 Oval Hd.	32		57/64
24	E1ADKN-16644	HANDLE ASSY.	2		57/10-60
24	E1ADDN-16644	HANDLE ASSY.	2		10-60/64
-		NUT, 1/4-28 Hex Self-Lock - Handle to Panel	2		57/64
25	E1ADKN-16659	LOCK ASSY., L.H. Side	2		57/64
25	E1ADKN-16658	LOCK ASSY., R.H. Side	2		57/64
-		RIVET, 5/32 x 1/4 Rd. Hd. - Lock to Panel	8		57/64
26	E1ADKN-16757	BRACKET ASSY., Front - Catch Retaining	1		57/64
26	957E-16773-B*	BRACKET ASSY., Rear	1		57/64
-		SCREW, 1/4-28 x 5/8 Pan Hd. - Brkt to Shell	2		57/64
-	957E-16751*	GROMMET, Hood Support	4		57/64
27	957E-16782-A*	SUPPORT ASSY., Hood	1		57/64
28	E1ADKN-16804*	BRACKET, Support Pivot	1		57/64
29	E04A-16603*	PAD, Handle	2		57/10-60
29	E1ADDN-16603	PAD, Handle	2		10-60/64
30	E04A-16788-B*	CLIP, Support Rod	1		57/64
31	957E-8068*	BRACKET, R.H. Radiator Shell Support	1		57/64
31	959E-8068*	BRACKET, R.H.	1	Petrol	11-60/64
31	957E-8069*	BRACKET, L.H.	1		57/64
31	959E-8069*	BRACKET, L.H.	1	Petrol	11-60/64
32		WASHER, 3/8 Flat	4		57/64
33		WASHER, 3/8 Lock	4		57/64
34		BOLT, 3/8-16 x 5/8 Hex Hd. - Bracket to Connection	4		57/64
35	957E-16605-A*	ORNAMENT, Hood Side	2		10-60/6-63
35	957E-16605-C	EMBLEM	2	FTO-E	6-63/64
35	960E-16605-B*	EMBLEM	2	Ex. France & Germany	7-62/64
35	960E-16605-C*	EMBLEM	2	Super Dexta	6-63/64
-	115201-ES*	FASTENER, 3/16 Thread Cutting	4	Super Dexta	10-60/64
36	E1ADDN-763*	EMBLEM	2	With Live P.T.O.	10-60/11-62
-	957E-16991*	WEATHERSTRIP, Rubber	1		57/64

* No Longer Serviced

DEXTA

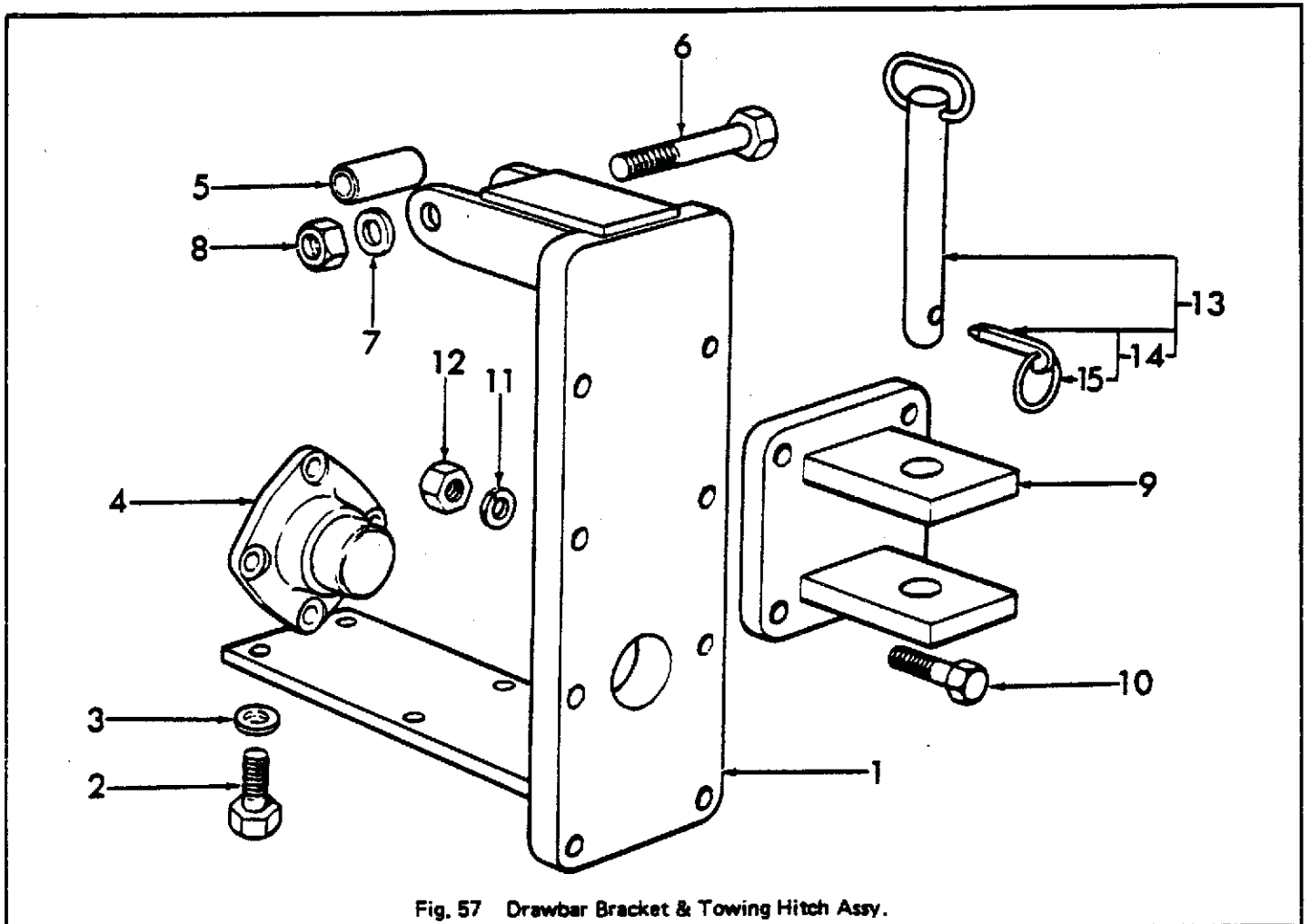


Fig. 57 Drawbar Bracket & Towing Hitch Assy.

FIG.	PART NO.	PART NAME	QTY.	REMARKS	YEAR
57		<u>DRAWBAR BRACKET & TOWING HITCH ASSY.</u>			
1	957E-4738*	FRAME ASSY., Drawbar	1		59/64
2	115912-ES2	BOLT, 5/8-11 x 1-1/2 Hex Hd.	4		59/64
3		WASHER, 5/8 Lock	4		59/64
4	E106-QF-9*	BRACKET, Support	1	FTO-E	59/64
5	E104-QF-9*	BUSHING, Frame Anchor	1		59/64
6	115913-ES2	BOLT, 3/4-10 x 4-1/2 Hex Hd.	1		59/64
7		WASHER, 3/4 Lock	1		59/64
8	34672-S2*	NUT, 3/4-10 Hex	1		59/64
9	E105-QF-9*	JAW ASSY., Towing	1		59/64
10	115911-ES2*	BOLT, 9/16-12 x 2-3/16 Hex	4		59/64
11		WASHER, 9/16 Lock	4		59/64
12		NUT, 9/16-12 Hex	4		59/64
13	C7NN-D819-A	KIT, Pin & Clip- Drawbar Towing Consists of Pin plus:	1		59/64
14	E27N-995294*	PIN ASSY., Linch Consists of Pin plus:	1		59/64
15	E27N-995279	RING, Linch Pin	1		57/64

* No Longer Serviced

DEXTA

FIG.	PART NO.	PART NAME	QTY	REMARKS	YEAR
57		<u>TOOL BOX AND TOOLS</u>			
-	C5NN-17005-F	BOX, Tool	1		57/64
-		BOLT, 5/16-24 x 5/8 Hex - Box to Fender	2		57/64
-		BOLT, 5/16-24 x 1/2 Hex - Box to L.H. Fender	2		57/64
-		WASHER, 5/16 Lock	2		57/64
-		NUT, 5/16-24 Hex	2		57/64
-	C5NN-17014-B	WRENCH, 7/16 x 1/2 Hex Open End	1	FTO-E	57/64
-	C5NN-17014-C	WRENCH 9/16 x 5/8 Hex Open End	1	FTO-E	57/64
-	204E-17016*	WRENCH, 11/16 x 5/8 Hex Open End	1		57/64
-	EB-17020*	SCREWDRIVER	1		57/64
-	E1ADKN-17021	WRENCH, Adjustable	1	FTO-E	57/64
-	B-17025-A	PLIERS	1	FTO-E	57/64
-	957E-17040*	HANDLE, Crank	1		57/64
-	N-17047*	WRENCH, Rear Wheel Nut	1		57/64
-	E27N-17080-A	JACK ASSY., Less Handle	1	FTO-E	57/64
-	E1ADDN-17107-B	WRENCH, 3/4 Open End	1	FTO-E	57/64
-	N-17125-A	GUN ASSY., Lube	1	FTO-E	57/64
		* No Longer Serviced			

DEXTA

FIG.	PART NO.	PART NAME	QTY	REMARKS	YEAR
		<u>KITS</u>			
-	E2002-F9	KIT, Starter Drive Clutch Plates Consists of: (5) E83-CQ-9 Plates & (5) E84-CQ-9 Plates	AR		57/64
	E683-T-9	KIT, Single Acting Valve Consists of: (1) E671-T-9 Pipe, (1) E84-WP-9 Bracket, (1) E90-WP-9 Coupling, (1) E97-WP-9 Cap, (1) E724-WP-9 Bolt, (1) 117690-ES Nut, (1) E1ADKN-994573 Seal	1	FTO-E	10-60/64
	E729-T-9	KIT, Single Acting Pipe Consists of: (1) E671-T-9 Pipe, (1) E724-T-9 Bolt, (1) E84-WP-9 Bracket, (1) E1ADKN-994573 Seal	1	FTO-E	10-60/64
	E2000-T-9	KIT, Generator & Fan Guard Consists of: (1) G73A-994024-B Buffer, (1) C5NN-N513-A Knob, (1) 957E-N515-A Decal, (1) 957E-N516-A Decal, (1) 957E-N975-A Decal, (1) 957E-8N615-A Extension, (1) 957E-8637-A Guard, (3) 32844-S Screw	1		58/5-64
	E2169-T-9	KIT, Water Pump Repair Consists of: (1) 957E-8507 Gasket, (1) 957E-8512 Impeller, (1) E1ADKN-8530 Bearing, (1) 957E-8550 Slinger, (1) E1ADKN-8564-A Seal Assy.	1	FTO-E	57/60
	E117-WP-9	KIT, Single Acting Valve Consists of: (1) E84-WP-9 Bracket, (1) E90-WP-9 Coupling, (1) E97-WP-9 Cap, (1) E118-WP-9 Pipe, (1) E724-T-9 Bolt, (1) 117690-ES Nut, (1) E1ADKN-994573 Seal	1		11-57/10-60
	E157-Z-9	KIT, Fuel Pump Diaphragm & Valve Consists of: (2) E11A-9352 Valve Assy., (1) 11A-9367-A Gasket (1) 502E-9374 Gasket, (1) E04A-9398-B Diaphragm	1		57/64
	E193-Z-9	KIT, Oil Sump & Front Cover Gaskets Consists of: (1) E9-CH-9 Gasket, (1) E11-CH-9 Gasket, (1) E12-CH-9 Gasket, (1) E18-CE-9 Gasket, (1) E125-Z-9 Kit, (1) 957E-6020 Gasket, (2) 957E-6700 Seal, (2) 957E-6701 Seal	1	FTO-E	57/64
		* No Longer Serviced			

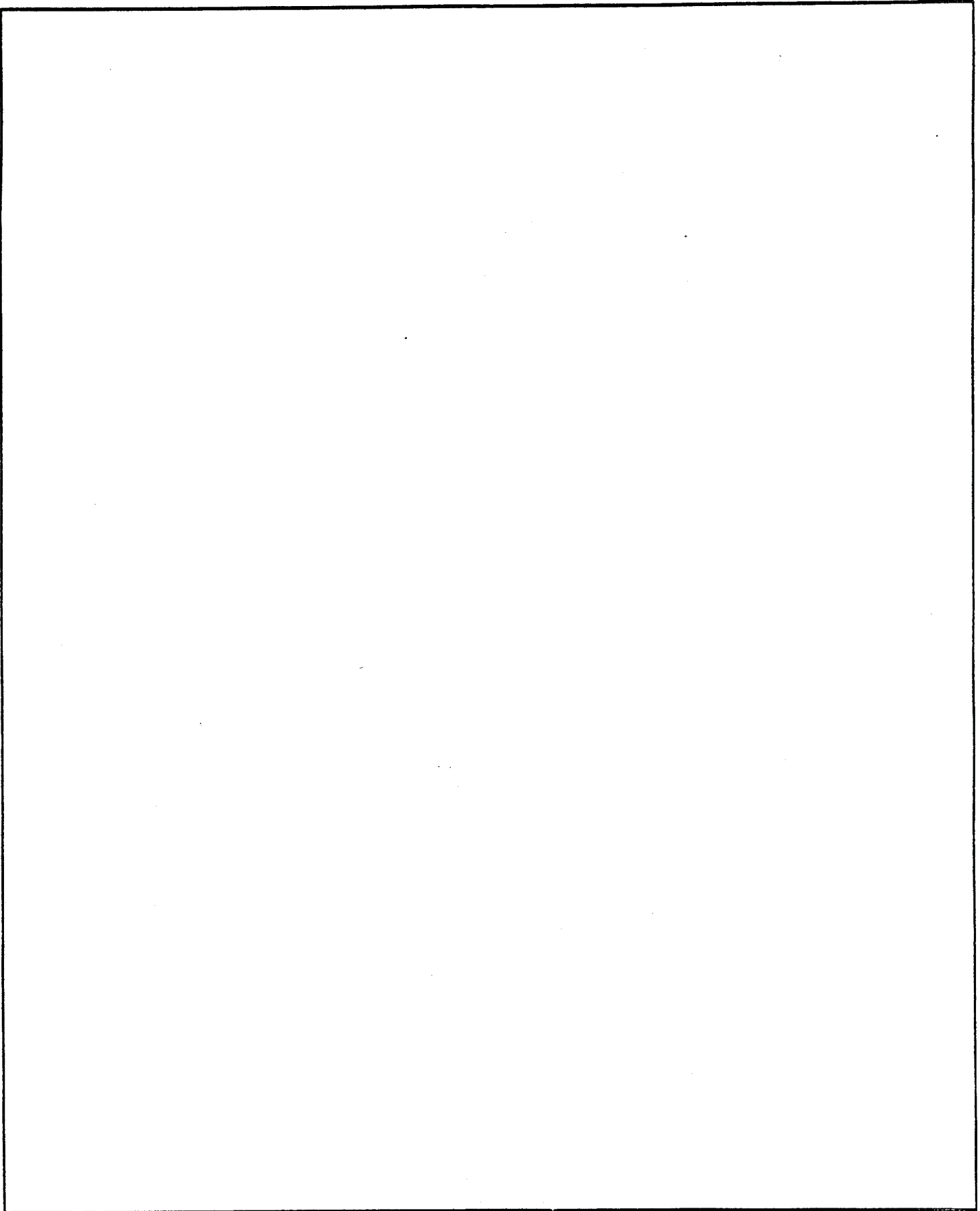
DEXTA

FIG.	PART NO.	PART NAME	QTY.	REMARKS	YEAR
		<u>KITS (CONT'D)</u>			
	E2153-T-9	KIT, Hydraulic "O" Ring Consists of: (3) 116516-ES "O" Ring, (2) 87006-ES "O" Ring (3) 87012-ES "O" Ring, (1) 87016-ES "O" Ring (2) 87033-ES "O" Ring, (5) 87034-ES "O" Ring (2) 87035-ESB "O" Ring, (1) 87054-ES "O" Ring (6) 87010-S94 "O" Ring, (3) 87036-ES "O" Ring (10) 87008-ES "O" Ring	AR		57/64
	957E-6008	KIT, Gasket, Engine Overhaul Consists of: (1) E9-CH-9 Gasket, (1) E11-CH-9 Gasket (1) E12-CH-9 Gasket, (1) E18-CH-9 Gasket, (1) E32-CA-9 Gasket, (1) E60-CA-9 Gasket (1) E125-Z-9 Kit, (3) 957E-6K003 Gasket (1) 957E-6020 Gasket, (1) 957E-6051-B Gasket (2) 957E-6344 Gasket, (1) 957E-6362 Seal (1) 957E-6584 Gasket, (2) 957E-6700 Seal (2) 957E-6701 Seal, (1) 957E-6838 Gasket (1) 957E-8255 Gasket, (1) 957E-8280 Gasket (1) 957E-8507 Gasket, (1) E1ADKN-8587 Gasket (1) 957E-9364 Gasket, (1) 502E-9374 Gasket (1) 957E-9441 Gasket, (1) 957E-9446 Gasket (1) 957E-9364 Gasket, (1) 502E-9374 Gasket (1) 957E-9441 Gasket, (1) 957E-9446 Gasket (2) 957E-9448 Gasket, (3) 118388-ES Washer, (3) 118358-ES Washer	1	FTO-E 144 Cu. In.	57/4-62
	960E-6008	KIT, Gasket, Engine Overhaul Consists of: 957E-6008 KIT Minus: (1) E60-CA-9 Gasket (1) 957E-6051-B Gasket (3) 118388-ES Washer Plus: (1) 960E-6051 Gasket	1	152 Cu. In.	4-62/64
	957E-6C037	KIT, Gasket, Engine Overhaul, Upper Consists of: (1) E32-CA-9 Gasket, (3) 957E-6K003 Gasket (1) 957E-6051-B Gasket, (1) 957E-6584 Gasket (1) 957E-8255 Gasket, (1) 957E-9441 Gasket (2) 957E-9448 Gasket, (3) 118388-ES Washer (1) 957E-9446 Gasket	1	FTO-E Use on 957E	57/64
	960E-6C037	KIT, Gasket, Engine Overhaul, Upper Consists of: (1) E32-CA-9 Gasket, (3) 957E-6K003 Gasket (1) 960E-6051 Gasket, (1) 957E-6584 Gasket (1) 957E-8255 Gasket, (1) 957E-9441 Gasket (2) 957E-9448 Gasket, (1) 957E-9446 Gasket	1	FTO-E Use on 960E	4-62/64
	E93A-10043	KIT, Generator Brush - Consists of 2 Brushes	1		57/11-62
	E1ADDN-11057	KIT, Starter Motor Brush - Consists of 4 Brushes	1		57/64
		* No Longer Serviced			

DEXTA

FIG.	PART NO.	PART NAME	QTY	REMARKS	YEAR
<u>ACCESSORIES</u>					
	E4-WL-9	KIT, Drawbar - See Drawbar Section	1	FTO-E	57/64
	E6-WL-9*	KIT, Swinging Drawbar - See Swinging Drawbar Section	1		57/64
	E38-WP-9	KIT, Hydraulic Power Lift Stabilizer - See H.P.L. Section	1	FTO-E	57/64
		Installation, Automatic Hitch - See Automatic Hitch Section	1		3-58/64
	957E-405-C*	INSTALLATION, Driver Seat - Deluxe Consists of: (1) DDN-A401 Rest, (1) E34-PH-9 Seat (1) E1ADKN-408B Cushion, (1) 957E-4263B Pin (1) 957E-442B Support, (2) 27084-S7/8 Screw (1) 34420-S8 Nut, (1) 44726-S8 Washer	1		
	960E-1078-A*	INSTALLATION, Rear Wheel Weights Consists of: (30) 33850-S2 Nut, (18) 34811-S7/8 Lockwasher (12) 44742-S8 Washer, (12) 72034-S8 Split Pin (12) 113697-ES Bolt, (6) 115824-ES Bolt (12) 118850-ES2 Bolt	1	Use w/12 x 24 Wheels	4-62/6-63
	C3NN-17125-A	GUN ASSY., Lubricating	1		52/64
	E2053-T-9	CARTRIDGE, Grease Gun Loading For use w/Grease Gun C3NN-17125-A	1	FTO-E	52/64
	ME-1163-B*	ANTI-FREEZE	AR	Available in 1 quart cans & 5 gallon drums	57/64
		* No Longer Serviced			

DEXTA



DÉXTA

NUMERICAL INDEX

E102-F-9	11	E23-CH-9	57	E781-CL-9	123
E2002-F-9	158	E25-CH-9	57	E782-CL-9	123
E381-T-9	41	E26-CH-9	57	E783-CL-9	124
E563-T-9	41	E5-CJ-9	59, 99	E793-CL-9	121
E621-T-9	49	E12-CJ-9	99	E797-CL-9	109
E623-T-9	49	E15-CJ-9	99	E798-CL-9	109
E625-T-9	49	E12-CK-9	71	E803-CL-9	109
E626-T-9	49	E13-CK-9	71	E25-CP-9	61
E683-T-9	158	E15-CK-9	71	E31-CP-9	61
E729-T-9	158	E18-CK-9	71	E32-CP-9	61
E2000-T-9	158	E197-CK-9	71	E33-CP-9	61
E2002-T-9	137	E1-CL-9	125	E36-CP-9	63
E2039-T-9	140	E802-CL-9	109	E38-CP-9	58, 63
E2045-T-9	141	E134-CL-9	117	E39-CP-9	63
E2046-T-9	58	E240-CL-9	118	E40-CP-9	63
E2047-T-9	105	E248-CL-5	118	E56-CP-9	63
E2048-T-9	107	E316-CL-9	61, 119	E4-CQ-9	137
E2049-T-9	105	E318-CL-9	119	E5-CQ-9	137
E2053-T-9	160	E349-CL-9	102	E24-CQ-9	141
E2055-T-9	101, 109	E358-CL-9	118	E81-CQ-9	137
E2056-T-9	101	E359-CL-9	118	E85-CQ-9	137
E2153-T-9	159	E360-CL-9	118	E86-CQ-9	137
E2169-T-9	99, 158	E362-CL-9	119	E88-CQ-9	137
E2181-T-9	69	E363-CL-9	117	E89-CQ-9	137
E2182-T-9	69	E364-CL-9	117	E90-CQ-9	137
E2183-T-9	69	E368-CL-9	102	E93-CQ-9	137
E2184-T-9	69	E384-CL-9	105	E97-CQ-9	139
E83-W-13515	13	E391-CL-9	107	E197-CQ-9	129
E125-Z-9	67	E407-CL-9	118	E324-CQ-9	137
E157-Z-9	127, 158	E411-CL-9	61, 119	E168-DB-9	15
E193-Z-9	67, 158	E414-CL-9	71	E15-EB-9	
E95-AE-2	130, 151	E416-CL-9	118	E18-EB-9	21
E30-CA-9	57, 58	E417-CL-9	118	E19-EB-9	21
E32-CA-9	58	E455-CL-9	107	E75-EB-9	21
E35-CA-9	58	E463-CL-9	107	E94-EB-9	21
E36-CA-9	58	E486-CL-9	107	E167-EB-9	25
E45-CA-9	58	E488-CL-9	107	E185-EB-9	25
E60-CA-9	97	E489-CL-9	105	E186-EB-9	25
E62-CA-9	71	E512-CL-9	105	E187-EB-9	25
E66-CA-9	57	E515-CL-9	107	E188-EB-9	25
E18-CE-9	67	E519-CL-9	105	E189-EB-9	25
E23-CE-9	67	E552-CL-9	111	E192-EB-9	25
E63-CE-9	105	E553-CL-9	111	E193-EB-9	25
E36-CF-9	107	E560-CL-5	107	E195-EB-9	25
E43-CF-9	69	E697-CL-9	111	E196-EB-9	25
E50-CF-9	59	E715-CL-9	121	E197-EB-9	25
E71-CF-9	69	E719-CL-9	121	E198-EB-9	25
E73-CF-9	69	E723-CL-9	121	E199-EB-9	25
E99-CF-9	69	E724-CL-9	121	E207-EB-9	25
E32-CG-9	59	E725-CL-9	121	E208-EB-9	25
E43-CG-9	111	E728-CL-9	122	E211-EB-9	25
E9-CH-9	57	E731-CL-9	122	E212-EB-9	25
E11-CH-9	58	E734-CL-9	123	E297-EB-9	21
E12-CH-9	57	E747-CL-9	102	E298-EB-9	25
E13-CH-9	58	E749-CL-9	101	E37-EB-9	5, 9
E14-CH-9	57	E761-CL-9	71	E173-FB-9	9
E15-CH-9	58	E780-CL-9	121	E174-FB-9	9

DEXTA

NUMERICAL INDEX

E177-FB-9	9	E22-GC-9	84	E84-GF-9	37
E179-FB-9	9	E23-GC-9	86	E91-GF-9	43
E180-FB-9	9	E50-GC-9	86	E92-GF-9	83
181-FB-9	9	E55-GC-9	86	E95-GF-9	43
E182-FB-9	11	E77-GC-9	84	E96-GF-9	43
E184-FB-9	9	E82-GC-9	86	E97-GF-9	43
E185-FB-9	9	E85-GC-9	91	E98-GF-9	43
E187-FB-9	11	E61-GD-9	84	E101-GF-9	43
E212-FB-9	9	E69-GD-9	75, 77	E105-GF-9	43
E213-FB-9	9	E70-GD-9	75, 77	E106-GF-9	43
E12-FC-9	5	E71-GD-9	75, 77	E107-GF-9	26
E13-FC-9	7	E72-GD-9	84	E117-GF-9	31
E36-FC-9	13	E73-GD-9	75, 77	E119-GF-9	29
E44-FC-9	5	E81-GD-9	77, 89	E167-GF-9	29
E93-FC-9	5	E99-GD-9	89	E168-GF-9	29
E48-FD-9	89	E100-GD-9	49	E169-GF-9	29
E53-FD-9	5	E299-GD-9	89	E170-GF-9	29
E58-FD-9	13	E300-GD-9	89	E171-GF-9	29
E154-FD-9	13	E301-GD-9	89	E172-GF-98L	29
E310-FD-9	11	E302-GD-9	89	E172-GF-9GR	29
E311-FD-9	11	E52-GE-9	84	E172-GF-9RE	29
E314-FD-9	13	E54-GE-9	78	E172-GF-9WH	29
E42-GA-9	77	E56-GE-9	78	E172-GF-9YE	29
E46-GA-9		E59-GE-9	84	E173-GF-9	29
E48-GA-9	77	E62-GE-9	78, 83	E174-GF-9	33
E49-GA-9	77	E64-GE-9	83	E185-GF-9	33
E51-GA-9	77	E66-GE-9	83	E186-GF-9	33
E53-GA-9	77	E67-GE-9	83	E188-GF-9	31
E58-GA-9	80	E68-GE-9	83	E189-GF-9	29
E61-GA-9	75	E75-GE-9	78, 83	E197-GF-9	34
E63-GA-9	77	E81-GE-9	93	E198-GF-9	29
E65-GA-9	77	E97-GE-9	84	E202-GF-9	29
E67-GA-9	78	E102-GE-9	93	E207-GF-9	33
E68-GA-9	79	E105-GE-9	93	E208-GF-9	33
E76-GA-9	77	E106-GE-9	93	E210-GF-9	
E343-GA-9	78	E127-GE-9	93	E8-HA-9	3
E345-GA-9	77	E137-GE-9	93	E10-HA-9	3
E348-GA-9	79	E141-GE-9	93	E11-HA-9	3
E417-GA-9	78	E151-GE-9	95	E12-HA-9	3
E418-GA-9	78, 80	E152-GE-9	95	E19-HA-9	3
E488-GA-9	77	E153-GE-9	95	E21-HA-9	2
E538-GA-9	78	E156-GE-9	83	E24-HA-9	3
E540-GA-9	77	E167-GE-9	95	E9-JA-9	102
E541-GA-9	77	E11-GE-9	34	E33-JA-9	102
E41-GB-9	79	E30-GE-9	31	E34-JA-9	102
E167-GB-9	78	E51-GF-9	43	E43-JA-9	102
E168-GB-9	78	E54-GE-9	29	E46-JA-9	101
E439-GB-9	78	E56-GE-9	29	E55-JA-9	101
E440-GB-9	78	E66-GF-9	39	E67-JA-9	102
E3-GC-9	67	E68-GF-9	37	E130-JA-9	111
E6-GC-9	91	E69-GF-9	29	E136-JA-9	111
E8-GC-9	86	E70-GF-9	29	E140-JA-9	111
E9-GC-9	84	E73-GF-9	37	E142-JA-9	111
E10-GC-9	84	E76-GF-9	37	E146-JA9	111
E16-GC-9	86	E81-GF-9	37	E147-JA-9	111
E18-GC-9	84	E82-GF-9	37	E175-JA-9	103
E21-GC-9	84	E83-GF-9	37	E188-JA-9	101

DEXTA

NUMERICAL INDEX

E129-JB-9	115	E40-NE-2	130	E68-WP-9	45
E132-JB-9	113, 115	E176-NE-9	145	E69-WP-9	29, 45
E133-JB-9	113, 115	E188-NE-9	130	E72-WP-9	45
E134-JB-9	115	E187-NE-9	130	E73-WP-9	46
E192-JB-9	111, 115	E203-NE-9	130	E74-WP-9	45
E223-JB-9	145	E204-NE-9	130	E75-WP-9	45
E247-JB-9	145	E250-NE-9	147	E76-WP-9	45
E296-JB-9	111, 115	E281-NE-9	147	E77-WP-9	45
E297-JB-9	115	E289-NE-9	145	E78-WP-9	45
E298-JB-9	115	E331-NE-9	145	E80-WP-9	29, 45
E299-JB-9	115	E395-NE-9	145	E82-WP-9	46
E302-JB-9	145	E399-NE-9	147	E83-WP-9	46
E339-JB-9	113	E402-NE-9	147	E84-WP-9	46
E342-JB-9	113	E250-PA-9	151	E90-WP-9	46
E338-JB-9	113	E251-PA-9	151	E94-WP-9	46
E421-JB-9	115	E108-PB-9	145	E95-WP-9	46
E423-JB-9	115	E109-PB-9	145	E96-WP-9	46
E441-JB-9	115	E95-PD-9	153	E117-WP-9	158
E443-JB-9	115	E17-PE-9	153	E126-WP-9	45
E490-LA-9	19	E65-QF-9	55	E133-WP-9	47
E41-LA-9	19	E66-QF-9	55	E148-WP-9	29
E42-LA-9	19	E67-QF-9	55	E209-WP-9	29
E43-LA-9	19	E69-QF-9	55	E285-WP-9	51
E44-LA-9	19	E70-QF-9	49, 55	E287-WP-9	51
E45-LA-9	19	E73-QF-9	55	E296-WP-9	51
E46-LA-9	19	E74-QF-9	55	357	41
E47-LA-9	19	E75-QF-9	55	400	148
E48-LA-9	19	E76-QF-9	55	K400	148
E49-LA-9	19	E77-QF-9	55	A401	148
E81-LA-9	19	E79-QF-9	55	404	149
E247-LA-9	19	E80-QF-9	55	405	148, 160
E30-MB-9	97	E81-QF-9	55	406	148
E31-MB-9	97	E82-QF-9	55	420	148
E39-MB-9	97	E84-QF-9	55	A431	149
E43-MB-9	97	E85-QF-9	55	433	149
E44-MB-9	97	E86-QF-9	55	A433	148
E83-NA-9	135	E88-QF-9	55	434	149
E89-NA-9	135	E92-QF-9	55	440	35
E94-NA-9	135	E97-QF-9	39, 47	442	148
E95-NA-9	135	E104-QF-9	156	473	34
E96-NA-9	135	E105-QF-9	156	477	34
E97-NA-9	135	E106-QF-9	156	478	34
E98-NA-9	135	E144-QF-9	39	481	35
E104-NA-9	111	E4-WL-9	160	482	35
E105-NA-9	135	E5-WL-9	41	488	37
E80-NC-1	133	E6-WL-9	49, 160	499	33
E137-NC-9		E38-WP-9	47, 160	501	31
E166-NC-9	129	E50-WP-9	46	502	31
E194-NC-9	129	E52-WP-9	47	504	34
E240-NC-9	130	E53-WP-9	47	N513	29
E245-NC-9	129	E56-WP-9	45	514	33
E6-ND-9	130	E59-WP-9	45	515	33
E62-ND-9	129	E60-WP-9	45	N515	33
E65-ND-9	129	E61-WP-9	45	N516	33
E135-ND-9	135	E62-WP-9	45	517	34
E136-ND-9	135	E66-WP-9	45	518	33
E142-ND-9	130	E67-WP-9	46	522	33

DEXTA

NUMERICAL INDEX

525	31	721	83	1012	2
526	34	723	83	1015	2
527	31	725	83	1017	2
529	31	726	83	1019	2, 3
530	34	727	84	1037	2
531	31	732	77, 85	1050	3
532	33	733	83	1050	2
535	31, 39	735	83	1065	3
539	34	736	93	1076	3
540	34	740	93	1078	160
541	31	741	93, 95	1104	3
544	31	743	93	1107	3
545	31	744	93	1117	3, 21
546	31	746	93	1120	3, 21
547	31	747	93	1126	5, 9
550	31	748	93	1139	15
551	31	750	93	1163	160
554	41	752	93	1190	15
555	41	753	93	1195	15
556	39	754	83	1201	15
560	39	756	83	1202	15
563	41	760	93	1216	15
565	41	763	155	1217	15
566	39	772	80, 84	2019	5, 9
568	41	8777	84	2021	5
574	41	8781	84	2025	5, 9
576	39	790	78, 83	2035	5, 9
578	41	791	84	2036	5, 9
579	41	792	80, 84	2039	5, 9
585	39	797	83	2043	5, 9
594	41	798	83	2044	5, 9
595	39	D819	156	2049	9
596	41	832	31	2N059	5
597	39	837	34	2066	5, 9
598	41	F844	43	2067	5, 9
624	31	K844	43	2068	5, 9
638	43	F847	39	2069	5, 9
645	31	A889	47	2073	5, 9
660	39	B891	43	2211	5
665	39	896	37	2213	9
666	39	901	37	2214	9
673	39	906	43	2246	5, 9, 13
764	31	907	78, 83	2247	5, 9, 13
683	34	908	43	2B289	5
684	34	912	37	2315	7, 13
685	34	914	37	2407	59
686	33	916	35	2443	5
689	34, 41	921	37	2455	5
690	33	924	35	2459	7
691	34	925	35	2465	7, 13
692	34	A953	33	2466	13
693	33	960	37	2470	5
701	78, 84	962	37, 99	2477	13, 21
703	83	982	37	2480	5, 13
708	39	984	34	2483	7
712	83	997	31	2493	11
720	83	1007	2	2N607	13

DEXTA

NUMERICAL INDEX

2N615	13	4N032		6011	57
2683	13	4033	26	6019	57
2744	13	4036	21, 25	6020	57
2777	13	4N053	25	6C037	59, 159
2780	13	4129	83	6051	58
2782	5	4132	21	6055	58
2785	13	4133	21	6057	125
2786	13	4150	23	6067	58
2795	13	4194	23	6102	65
2796	5	4209	21	6140	65
2832	13	4211	21, 25	6149	65
2838	13	4213	21, 25	6200	65
2857	13	4221	21, 25	6207	65
3006	15	4222	21, 25	6211	65
3007	15	4228	21, 25	6215	65
3010	15	4229	21	6250	63
3039	15	4230	21, 25	6256	63
3048	15	4233	21	6266	57, 58
3105	15	4235	21	6276	63
3106	15	4236	21, 25	6333	61
3109	15	4239	25	6341	61
3110	15	4A242	21	6342	61
3121	15	4250	21	6362	57
3123	15	4286	25	6391	58
3127	15	4374	21	6449	58
3287	17	4375	41	6459	63
3290	17	4605	23	6466	63
3304	17	4614	23	6468	63
3307	17	4616	23	6469	63
3314	17	4621	23	6489	63
3324	17	4625	21	6492	63
3332	17	4627	21	6498	63
3405	15	4634	23	6505	63
3N406	15	4636	23	6507	63
3415	15	4667	23	6509	63
3440	15	4724	49	6510	63
3N442	15	4726	49	6513	63
3503	19	4727	49	6514	63
3515	19	4730	49	6518	63
3516	19	4737	49	6536	63
3520	19	4738	156	6549	63
3524	19	4744	55	6571	63, 102
3548	19	5155	135	6578	63
3556	19	5164	135	6584	58
3558	19	5165	135	6600	69
3575	19	5182	41	6602	69
3576	19	5230	73	6K602	59
3590	19	5250	73	6K603	59
3593	19	5256	73	6608	69
3600	19	5270	73	6613	69
3647	19	5370	41	6614	69
3N655	77	5374	41	6616	69
3728	130	5721	78	6622	67
4N001	25	5782	13, 25	6628	67
4010	21, 25	6K003	57, 71	6649	69
4011	21	6008	57, 159	6653	69
4025	26	6010	57	6654	69

DEXTA

NUMERICAL INDEX

6663	69	7245	25, 51, 78, 79	8213	153
6676	67	7256	78, 83	8222	153
6700	67	7261	77	8250	99
6730	67	7288	83	8255	99
6731	105	7N309	78, 79	8260	97
6741	107	7N433	89	8275	59
6749	107	7N441	75	8280	59
6750	67	7470	83	8286	97
6759	67, 111	7501	75	8287	59, 97, 99, 111
6761	67	7502	84	8326	97
6766	58	7508	89	8333	97
6796	59	7510	89	8487	115
6837	105	7511		8501	99
6838	105	7512	75	8505	99
6882	107	7513	25	8507	99
6883	107	7515	89	8509	99
6889	107	7520	89	8512	99
7006	75	7523	89	8530	99
7010	75	7535	89	8550	99
7011	75	7547	91	8564	99
7017	77, 80, 84	7548	84	8575	99
7021	75, 77, 86	7549	86, 91	8587	99
7025	78	7550	86, 89, 91	8606	99
7026	77, 84	7551	91	8607	99
7034	26	7552	91	8620	99
7049	75, 83	7553	91	8N651	97
7061	777, 80	7554	86, 91	9002	101
7064	77, 84	7555	86, 91	9020	101
7071	77	7556	84, 91	9030	101
7N072	77	7561	89	9052	111
7086	75	7563	89, 91	9066	103
7100	77, 80	7565	89, 91	9097	103, 145
7101	77, 80	7566	84, 91	9102	111
7111	78, 80	7567	91	9104	111
7113	78, 80	7570	84, 91	9107	103
7118	78	7574	86, 91	9150	111
7120	77	7575	91	9155	105, 109, 111
7123	78	7580	89	9165	109
7140	78	7591	84, 91	9187	101
7141	78, 80	7600	91	9189	101, 111
7144	77, 80	7625	86	9N200	101
7160	77	7628	86	9230	101, 109
7165	26	7728	77, 80	9242	59, 63, 102
7210	79	8005	97	9243	102
7213	55, 79	8068	155	9K274	109
7222	75	8069	155	9278	129
7223	75	8075	97	9282	101, 109
7227	78, 79	8100	97	9289	111
7228	78, 79	8111	97	9C310	109
7229	79	8115	97	9337	109
7230	79	8146	97	9345	127
7231	79	8163	153	9350	109, 119, 127
7234	79, 83	8164	153	9351	127
7240	79	8165	153	9352	127
7241	79	8167	153	9361	127
7242	79	8202	153	9364	119, 124
7243	79	8212	153	9367	127

DEXTA

NUMERICAL INDEX

9374	119, 124, 127	9C595	121	11000	129, 137
9376	127	9C598	121	11005	137
9378	127	9C599	122	11049	137
9380	127	9F599	121	11052	139
9381	127	9600	102	11055	137
9396	127	9N677	101	11057	159
9398	127	9680	103	11059	139
9413	127	9700	113	11079	137
9425	71	9730	58	11081	137
9428	71	9775	115	11089	137
9430	71	9792	119, 123	11091	137
9441	71	9A792	111, 115	11102	139
9443	99	9805	111, 115	11103	139
9446	71, 73	9807	111, 115	11107	139
9448	71	M-998-58	97	11A112	139
9469	127	10001	129, 140, 142	11125	137
9488	71, 73	10005	140, 142	11130	137
9D500	122	10043	141, 159	11135	137
9D509	123	10068	143	11139	137
9D510	123	10088	139, 141, 143	11350	137
9D511	123	10094	140	11357	137
9D512	123	10097	140, 142	11358	139
9D520	122	10098	140, 142	11375	137
9D521	121	10099	140, 142	11393	137
9D526	122	10113	140	11394	137
9D529	121	10114	140, 142	11395	139
9D534	121	10115	141, 143	11396	139
9C535	123	10120	141, 143	11397	139
9C537	121	10124	140, 142	11415	137, 141
9C540	123	10128	141, 143	11450	129
9F540	125	10129	141, 143	11500	130, 139, 145
9C541	123	10130	141, 143	11502	145
9C542	122, 124	10138	142	11503	145
9C550	121	10139	141	11504	145
9C553	121	10145	141, 143	11510	139
9C554	121	10147	141, 143	11515	145
9C557	123	10151	141, 143	11517	145
9E564	121	10160	140, 142	11530	139
9E569	121	10173	142	11531	139
9C570	121	10175	142	11532	139
9C571	123	10184	141	11533	139
9D571	123	10193	140, 142	11534	139
9E573	121, 123	10230	140, 142	11535	139
9C579	123	10A304	142	11575	145
9E580	121	10505	141, 145	11654	145
9581	71	11059	141	11805	130
9E581	121	10560	145	11820	130
9E582	121	10624	145	11874	145, 147
9C584	122	10657	135	12410	34
9585	71	10663	135	13002	132
9C585	122	10666	135	13003	132
9C586	122	10668	135	13N004	130
9C587	122	10720	135	13005	132
9C588	122	10734	135	13007	132
9C589	122	10738	135	13009	132
9C590	122	10741	135	13016	132
9C591	122	10883	130	13043	132

DEXTA

NUMERICAL INDEX

13047	132	16757	155	113301-ES	9
13050	132	16773	135, 155	113303-ES	11
13060	132	16782	155	113417-ES	143
13061	132	16788	155	113575-ES	
13066	132	16804	155	113625-ES	53
13068	132	16828	153	113659-ES	123
13071	132	16991	155	113661-ES	123
13075	132	17005	157	113697-ES	3
13090	132	17014	157	113713-ES2	9
13096	132	17016	157	113780-ES	9
13N118	132	17020	157	113781-ES2	9
13132	132	17021	157	113803-ES	130
13N200	129, 133	17025	157	113814-ES	49
13N201	129, 133	17040	157	114048-ES	69
13208	133	17047	157	114065-ES	71, 73
13230	133	17080	157	114101-ES	102
13410	133	17107	157	114123-ES	9
13450	133	17125	157, 160	114129-ES	9
13465	133	17255	147	114203	58
13466	130	17360	113, 146	114250-ES	63
13470	130	17365	113, 146	114755-ES	29
13512	89	17366	113, 146	114756-ES	34
13550	129, 133	17368	147	114784-ES	143
13802	129	17369	113, 146	115069	77, 78, 84
14300	135	18205	102	115201-ES2	153, 155
14301	135	18233	103	115400-ES	145
14322	135	18243	102	115411-ES	57
14364	145	18246	102	115412-ES	57
14401	129	18481	67	115415-ES	19
14424	129	18631	107	115422-ES	75
14425	129	18649	105	115437	57
14431	129	18650	107	115451-ES	122
14445	129	18675	107	115500-ES	45
14537	147	18688	105, 109	115501-ES	45
14539	129	18689	105	115502-ES	45
14551	135	19066	115	115503-ES	45
14603	129, 145	19243	115	115504-ES	137
14612	145	87008-ES	53, 111, 115	115516-ES	45
14693	129	87033-S95	43	115532-ES	63
16312	151	87034-S95	51	115647-ES	71
16313	151	87035-S95	51, 83	115648-ES	71
16386	129, 151	87038-ES	51	115649-ES	61
16472	151	87051-ES	53	115680-ES	99
16473	151	87052-ES	43	115681-ES	57, 69
16486	151	87053-ES	53	115715-ES	119
16494	151	87054-ES	53	115716-ES	119
16603	155	87157-S95	69	115735-ES	47
16605	155	88211		115741-ES	45
16612	153	88210	153	115752-ES	58
16615	153	88359-S	141, 143	115754-ES	58
16616	153	88372-S	143	115756-ES	58, 67
16631	155	88390-ES2	118	115758-ES	57
16644	155	88393-S	149	115759-ES	57
16658	155	88421-S	119	115762-ES	57
16659	155	107325	97	115778-ES2	3
16741	155	112905-ES	121	115783-ES8	107
16751	155	112908-ES	117	115792-ES	119

DEXTA

NUMERICAL INDEX

115816-ES	67	117481-ES	55	118667-ES7	139
115819-ES8	31	117495-ES	71	118850-ES2	3
115824-ES	2	117458-ES2	21	118876-ES	139
115894-ES	13	117524-ES	147	118874-ES	142
115911-ES2	156	117543-ES7	153	118930-ES	151
115912-ES2	156	117554-ES	93	118992-ES2	19
115913-ES2	156	117600-ES7	101, 119, 124	119203-ES	71
115931-ES	57	117607-ES7/8	111	119258-ES	141
116006-ES	118	117607-ES	58, 63	119265-ES7/8	127
116024-ES	3	117611-ES	135	119270-ES	13, 29
116028-ES	19	117621-ES	59, 63, 102	119286-S7/8	9
116036-ES	137	117622-ES	71	119319-ES	9
116037-ES	137	117623-ES	119	119425-ES	86, 91
116045-ES	78	117625-ES	102	119426-ES	91
116046-ES	43	117630-ES	37	119437-ES	141
116047-ES	43	117642-ES	58, 71, 102, 125, 143	119699-ES	139
116065-ES	71	117644-ES	58	119758-ES	105
110673-ES	107	117664-ES	39	119786-ES	21
116074-ES	139	117668-ES	3	119863-ES	55
116087-ES	107	117680-ES	137	119928-ES	137
116094-ES	118	117683-ES	119	119930-ES	140
116098-ES	107	117685-ES	118	119933-ES	49
116115-ES	118	117690-ES	46	119943-ES7/8	89
116238-ES	78	117746-ES	69	119946-ES	69
116276-ES	105	117757-S36	101	119975-ES7/8	115
116313-ES	5, 19	117818-ES2	129	119976-ES7/8	115
116314-ES	118	118105-ES	118	119984-ES	111
116316-ES	29, 33	118135-ES	153	119987-ES	101
118319-ES	5, 45	118141-ES	19	119990-ES	119
116320-ES	61	118150-ES	139	119993-ES	102
116325-ES	79	118152-ES	139	309807	143
116332-ES7	33	118153-ES7/8	139	311432	91, 86
116353-ES7	33	118154-ES	118	311435	84
116502-ES	118	118176-ES	135	350433-S	89
116509-ES	71	118194-ES	118	350439-S	91
116513-ES	43	118199-ES7	118	350476-S36	151
116516-ES	51	118203-ES	143	350890-ES36	33
117108-ES	11	118228-ES	137	351047-S7	33
117227	63	118257-ES	78	351090-ES2	41
117243-ES7/8	153	118290-ES7/8	111, 115	351385-S8	34
117244-ES7/8	153	118318-ES	25, 41	351428-S8	41
117257-ES	86	118321-ES100	9	351502-S	33
117274-ESA	5	118322-ES	5	351963-S	41
117371-ES7/8	143	118346-ES	105	352594-S	34
117372-ES7/8	142	118354-ES	57	352625-S8	39
117453-ES	119, 124	118355-ES	67, 99	353043-ES7/88	11, 13, 25, 39, 55
117457-ES	118	118356-ES	71	353051-ES	26, 75, 93
117460-ES2	15	118357-ES	57, 102	353075-S	79, 83
117461-ES	67	118358-ES	125	353080-S	45
117463-ES	71	118364-ES	63, 99	353753-S	122
117464-ES2B	67	118366-ES	58	354069-S	31
117465-ES	71	118511-ES2	97	354502-S	86
117466-ES	71	118519-ES	109	354518-S	84
117467-ES	71	118534-ES	57	354519-ES18	84
117468-ES	63	118537-ES	102	354550-S	86
117472-ES	58	118545-ES	129	358675-S2	121
117477-ES7	3	118550-EC	129	370922-S	29

DEXTA

NUMERICAL INDEX

374864-S2	123	993240	117	995286	39
374866-S2	123	993241	117	995294	156
376425-S36	26	993243	118	995901	118
380428-S	123	994559	45	995928-ES	141, 143
384677-S8	3, 41, 89	994561	51	995936	119
385279-S2	65	994573	31, 46, 53	995953	118
933178	102	994601	43	995957	132
993101	117, 121	994608	43	996291-ES7/8	141
993102	118	994609	31	996302-ES8	141
993104	118	994612	29, 45, 53	996412	118
883105	118	994613	43	996414-ES	19
993108	119	994614	51	996417	119
993120	119	994620	31, 55		
993121	117, 123	994630	43		
993122	118	994633	43		
993125	118	994660	51		
993139	102	994667	43		
993144	119, 123	994684	43		
993145	119, 123	994707	51		
993149	125	994708	51		
993150	125	994712	51		
993153	117, 122	994713	51		
993157	102, 125	994717	43		
993174	102	994730	51		
993175	102	994731	51		
993176	102	994732	51		
993180	102	994737	51		
993190	125	994742	51		
993191	125	994743	53		
993192	125	994744	51		
993193	125	994748	51		
993196	125	994756	51		
993200	117	994762	31, 53		
993201	117, 121	994794	53		
993202	117, 121, 123	994796	51, 53		
993202	117, 121, 123	994808	51		
993204	117	994809	51		
993206	117	994815	51		
993207	117, 123	994873	53		
993208	117	994875	53		
993209	117	994878	53		
993210	118	994883	53		
993211	118, 121	994888	53		
993215	118, 123	995014	26		
993227	118, 123	995017	43, 47		
993228	118, 123	995216	39, 41		
993229	118	995225	39, 41		
993230	118	995233	41		
993231	118	995242	41		
993232	117	995264	39		
993233	117	995265	39		
993234	117	995266	39		
993235	117	995267	39		
993236	117	995271	39		
993237	117	995279	39, 41, 47, 156		
993238	117	995282	39		
993239	117, 122	995285	39		

DEXTA



This Parts List F00-1566-D replaces the previous
Parts List F00-1566-C dated August, 1968